

- DRAWING NOTES**
1. REMOVE EXISTING RETURN GRILLE. (TYPICAL)
  2. EXISTING SUPPLY AIR DUCTWORK TO REMAIN. (TYPICAL)
  3. REMOVE EXISTING SUPPLY DUCT AND DIFFUSERS. (TYPICAL)
  4. REMOVE THERMOSTAT. (TYPICAL)
  5. EXISTING RETURN AIR DUCT TO REMAIN.



NUMBER	DATE	REMARKS
1.	20/04/22	ISSUED FOR BOM
2.	13/06/22	ISSUED FOR 100% RFI
3.	27/06/22	ISSUED FOR TENDER

CONTRACTOR IS TO CHECK AND VERIFY ALL DIMENSIONS AND CONDITIONS ON THE PROJECT AND REPORT ANY DISCREPANCIES TO THE ARCHITECT BEFORE PROCEEDING WITH THE WORK. DRAWINGS ARE NOT TO BE SCALED.  
 CONTRACT DOCUMENTS ARE THE COPYRIGHT OF THE CONSULTANTS AND SHALL NOT BE USED OR REPRODUCED WITHOUT AUTHORIZATION.  
 DOCUMENTS ARE TO BE RETURNED UPON COMPLETION OF THE PROJECT.  
**ATA ARCHITECTS**

HUMBER COLLEGE  
 PHASE 4

NORTH CAMPUS

GROUND FLOOR -  
 HVAC DEMO -  
 PHASE 4A

LT

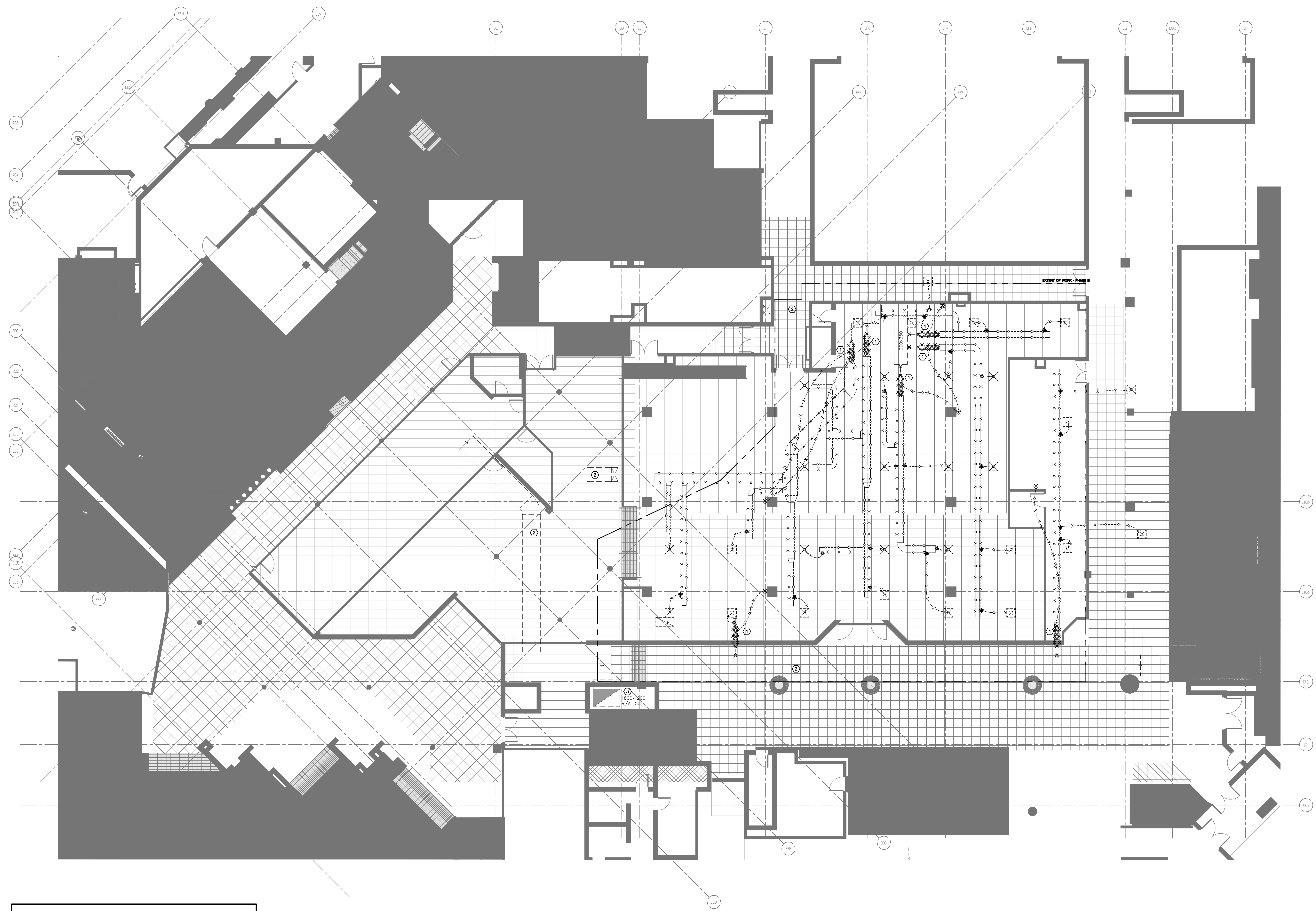
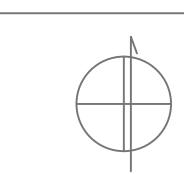
1:100

MARCH 2022

MS

2022-0002

DM200



- DRAWING NOTES**
1. REMOVE EXISTING VAV BOX COMPLETE WITH ALL ASSOCIATED DUCTWORK, PIPING, HANGERS, SUPPORTS, DIFFUSERS AND CONTROLS. REMOVE AND GAP PNEUMATIC LINES SERVING THE VAV BOX. RETURN ALL COMPONENTS TO LANDLORD OR REMOVE FROM SITE IF REQUESTED BY LANDLORD. (TYPICAL).
  2. EXISTING SUPPLY AIR DUCTWORK AND SUPPLY GRILLES TO REMAIN. (TYPICAL).
  3. EXISTING RETURN AIR DUCT TO REMAIN.



NUMBER	DATE	REMARKS
1.	20/04/22	ISSUED FOR BOM
2.	13/06/22	ISSUED FOR 100% RFI
3.	27/06/22	ISSUED FOR TENDER

CONTRACTOR IS TO CHECK AND VERIFY ALL DIMENSIONS AND CONDITIONS ON THE PROJECT AND REPORT ANY DISCREPANCIES TO THE ARCHITECT BEFORE PROCEEDING WITH THE WORK. DRAWINGS ARE NOT TO BE SCALED.  
 CONTRACT DOCUMENTS ARE THE COPYRIGHT OF THE CONSULTANTS AND SHALL NOT BE USED OR REPRODUCED WITHOUT AUTHORIZATION.  
 DOCUMENTS ARE TO BE RETURNED UPON COMPLETION OF THE PROJECT.  
**ATA ARCHITECTS**

HUMBER COLLEGE  
 PHASE 4

NORTH CAMPUS

GROUND FLOOR -  
 HVAC DEMO -  
 PHASE 4B

LT

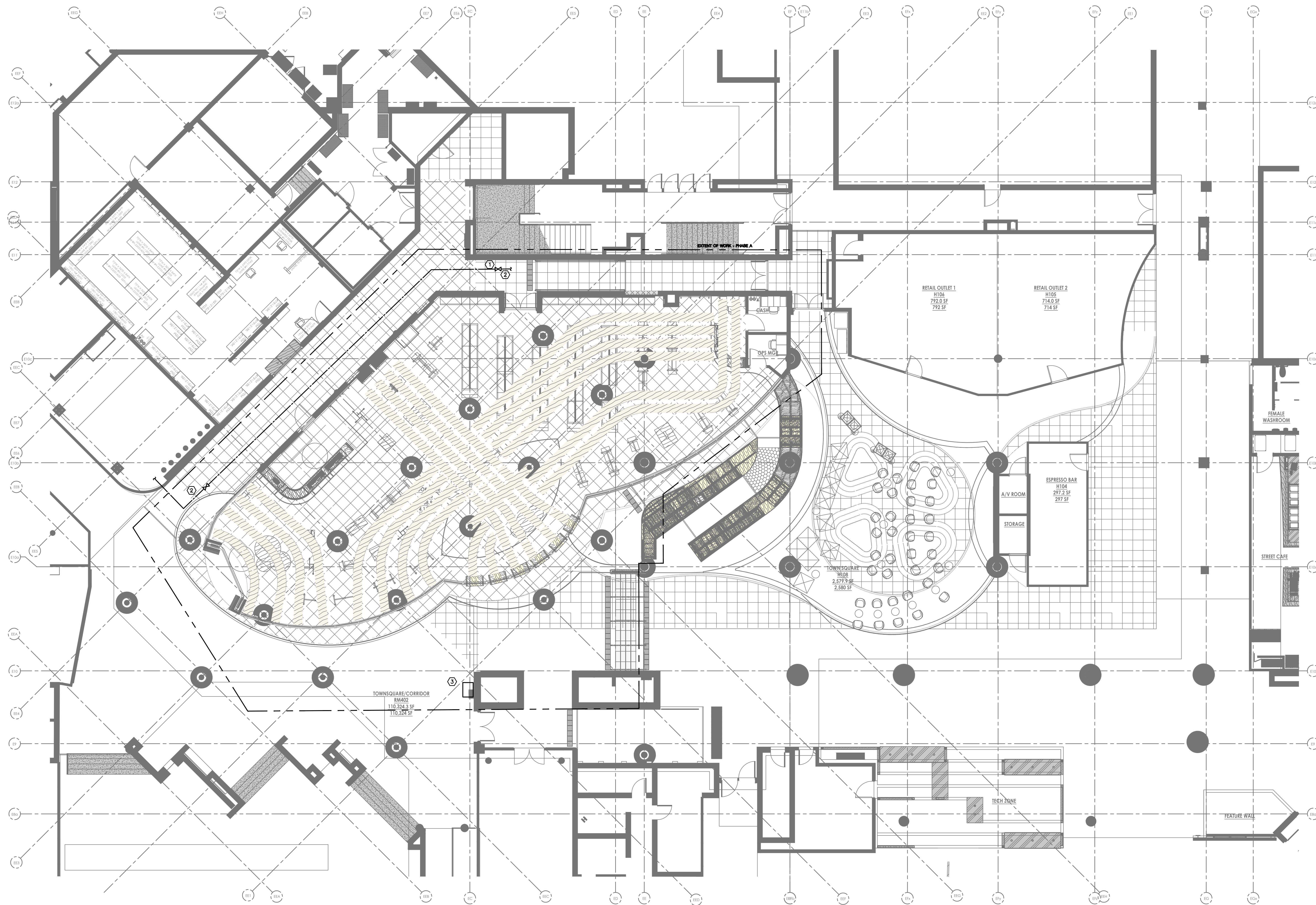
1:100

MARCH 2022

MS

2022-0002

DM201



**DRAWING NOTES**

1. REMOVE AND REPLACE ALL GALVANIZED COLD WATER PIPING.
2. PROVIDE NEW ISOLATION VALVES. ALLOW FOR FREEZING OF PIPES TO INSTALL VALVES.
3. REMOVE AND RE-INSTALL DRINKING FOUNTAIN



NUMBER	DATE	REMARKS
1.	20/04/22	ISSUED FOR BOM
2.	13/06/22	ISSUED FOR 100%
3.	27/06/22	ISSUED FOR TENDER

CONTRACTOR IS TO CHECK AND VERIFY ALL DIMENSIONS AND CONDITIONS ON THE PROJECT AND REPORT ANY DISCREPANCIES TO THE ARCHITECT BEFORE PROCEEDING WITH THE WORK. DRAWINGS ARE NOT TO BE SCALED.  
 CONTRACT DOCUMENTS ARE THE COPYRIGHT OF THE CONSULTANTS AND SHALL NOT BE USED OR REPRODUCED WITHOUT AUTHORIZATION.  
 DOCUMENTS ARE TO BE RETURNED UPON COMPLETION OF THE PROJECT.  
**ATA ARCHITECTS**

**HUMBER COLLEGE  
 PHASE 4**

**NORTH CAMPUS**

GROUND FLOOR -  
 PLUMBING DEMO +  
 NEW - PHASE 4A

LT

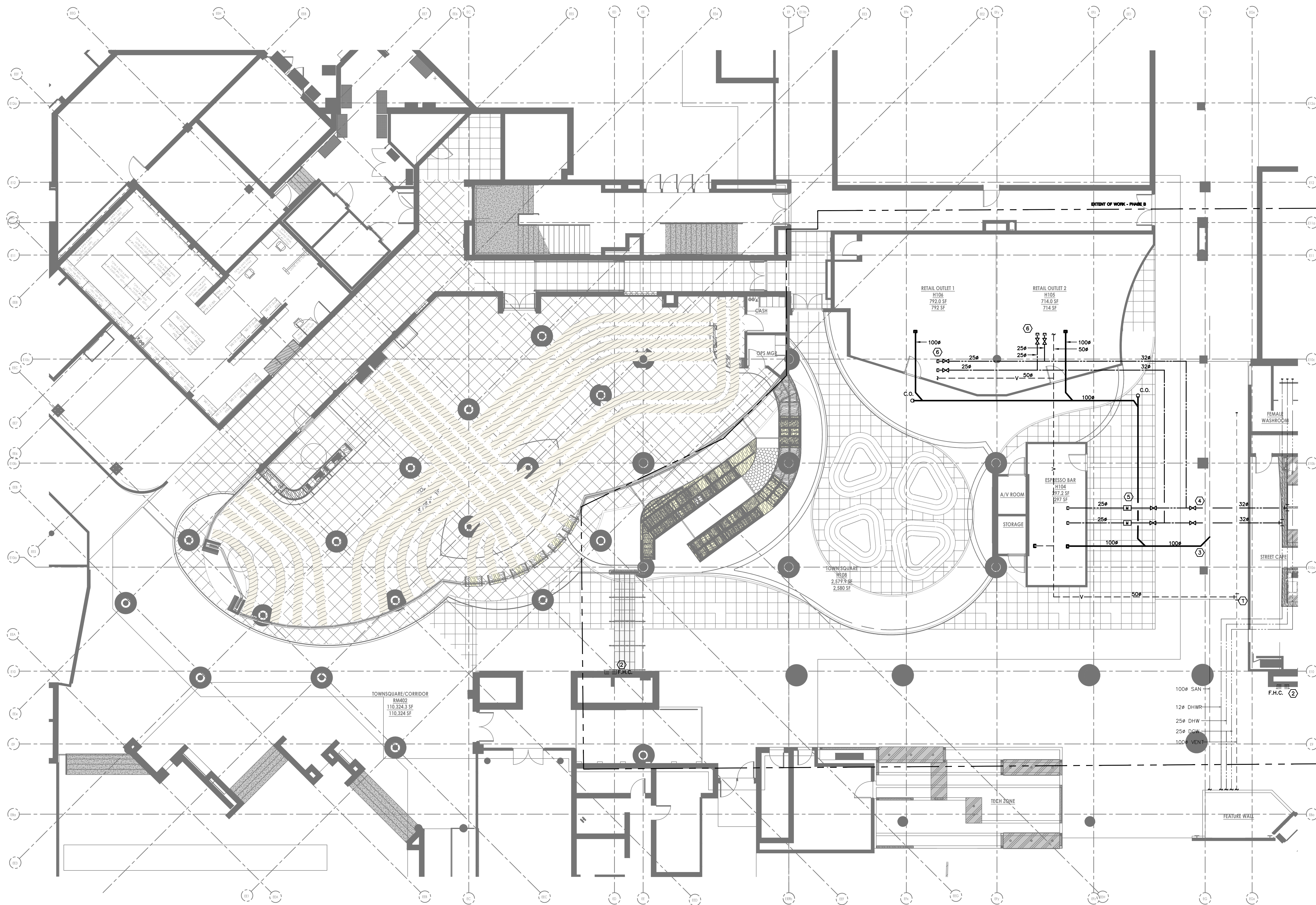
1:100

MARCH 2022

MS

2022-0002

M100



- DRAWING NOTES**
1. CONNECT NEW SANITARY VENT TO EXISTING AS SHOWN.
  2. EXISTING FIRE HOSE CABINET TO REMAIN. (TYPICAL)
  3. CONNECT NEW SANITARY DRAIN TO SANITARY MAIN BELOW GRADE. CONTRACTOR TO VERIFY LOCATION OF EXISTING SANITARY MAIN PRIOR TO BEGINNING CONSTRUCTION. ALLOW FOR CUTTING AND TRENCHING OF EXISTING FLOOR SLAB FOR INSTALLATION OF NEW SANITARY DRAIN. ALLOW FOR X-RAYING AND SCOPING OF FLOOR SLAB TO LOCATE EXISTING SANITARY MAIN.
  4. CONNECT NEW DOMESTIC HOT AND COLD WATER PIPES TO EXISTING MAIN. PROVIDE ISOLATION VALVES AND ALLOW FOR FREEZING OF PIPE SYSTEM.
  5. PROVIDE CAPPED AND VALVED CONNECTION FOR RETAIL SPACE. PROVIDE NEW WATER CHECK METER TO BE TIED INTO BUILDING METERING SYSTEM. CONTRACTOR TO COORDINATE METER SPECIFICATIONS WITH QMC PRIOR TO ORDERING. METER INTEGRATION TO BE DONE BY QMC. (TYPICAL)
  6. PROVIDE CAPPED AND VALVED CONNECTION FOR FUTURE RETAIL SPACE.



NUMBER	DATE	REMARKS
1.	30/04/22	ISSUED FOR BOM
2.	13/06/22	ISSUED FOR 100% CONSTRUCTION
3.	27/06/22	ISSUED FOR TENDER

CONTRACTOR IS TO CHECK AND VERIFY ALL DIMENSIONS AND CONDITIONS ON THE PROJECT AND REPORT ANY DISCREPANCIES TO THE ARCHITECT BEFORE PROCEEDING WITH THE WORK. DRAWINGS ARE NOT TO BE SCALED.  
 CONTRACT DOCUMENTS ARE THE COPYRIGHT OF THE CONSULTANTS AND SHALL NOT BE REPRODUCED WITHOUT AUTHORIZATION.  
 DOCUMENTS ARE TO BE RETURNED UPON COMPLETION OF THE PROJECT.  
**ATA ARCHITECTS**

**HUMBER COLLEGE  
PHASE 4**

**NORTH CAMPUS**

GROUND FLOOR -  
PLUMBING DEMO +  
NEW - PHASE 4B

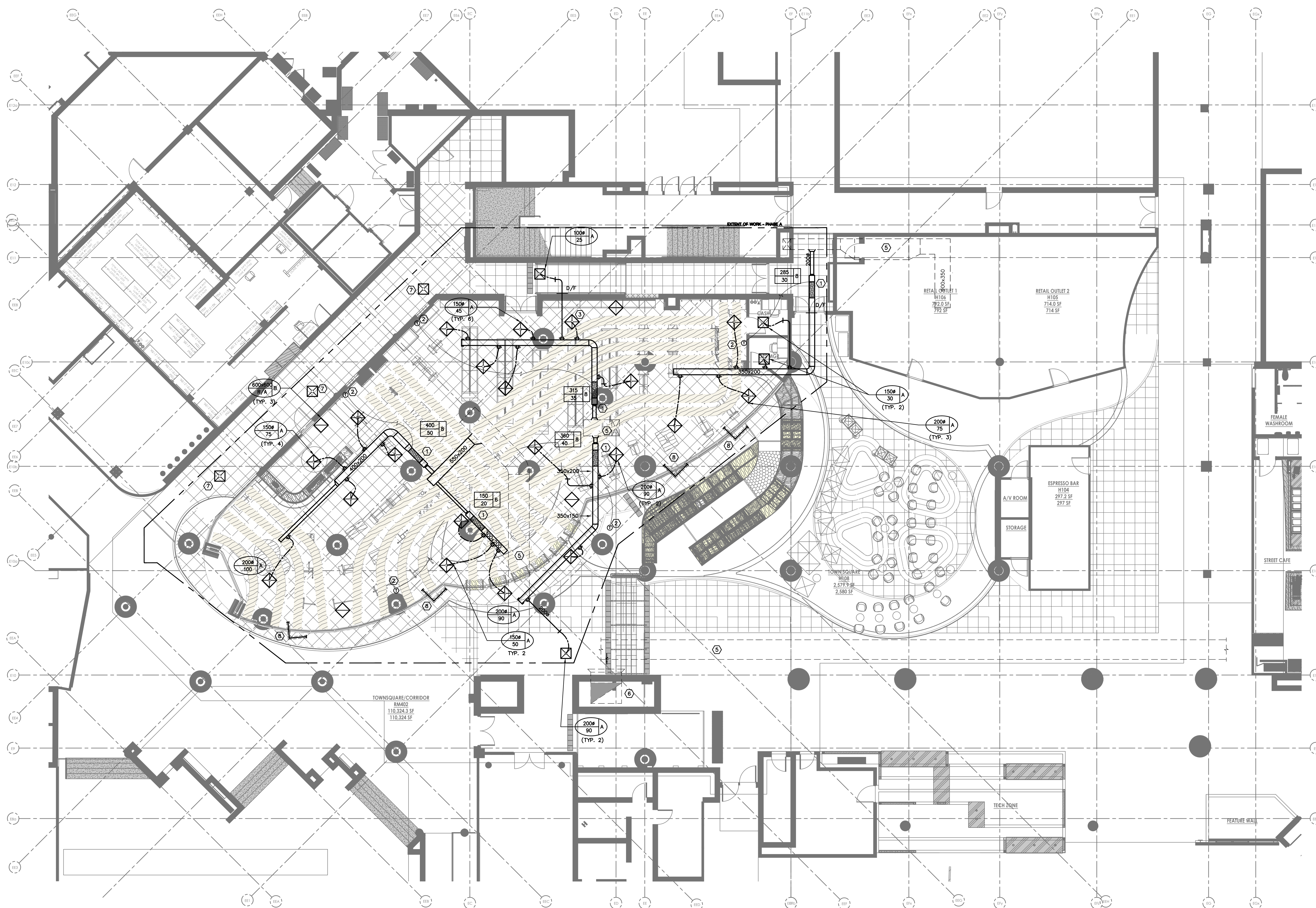
LT

1:100

MARCH 2022

MS

2022-0002



- DRAWING NOTES**
1. PROVIDE NEW VAV BOX COMPLETE WITH ALL HANGERS, SUPPORT DUCTWORK AND CONTROLS REQUIRED FOR A COMPLETE AND FUNCTIONAL SYSTEM. ALL DUCTWORK DOWNSTREAM OF VAV BOXES SHALL BE EQUAL TO THE BOX OUTLET SIZE (MINIMUM) OR LARGER AS INDICATED. WHERE OUTLET SIZES ARE 090 SIZES, THE DUCT SIZE SHALL BE ROUNDED UP TO THE NEAREST EVEN SIZE (I.E. 318MM (12.5 IN.) OR 330MM (13 IN.) SHALL BE 350MM (14 IN.)). PROVIDE TRANSITION DUCTS AS REQUIRED. (TYPICAL).
  2. CONTROLS CONTRACTOR TO PROVIDE AND INSTALL NEW TEMPERATURE SENSOR FOR VAV BOXES. ALLOW FOR INTEGRATION OF NEW CONTROLS TO EXISTING BUILDING AUTOMATION SYSTEM AND INTERLOCKED WITH LIGHTING CONTROL SYSTEM. TEMPERATURE SENSORS ARE LOCATED TO AIR IN PRISING ONLY AND ALL REQUIRED SENSORS MAY NOT BE SHOWN. COORDINATED FINAL LOCATION WITH ARCHITECT WITHIN 100MM (40 IN.) OF LOCATION SHOWN. ALL RELOCATIONS OUTSIDE OF THE RANGE SHALL BE REVIEWED WITH THE CONSULTANT. TEMPERATURE SENSORS SHALL BE NOMINALLY 1200MM (48 IN.) ABOVE THE FINISHED FLOOR UNLESS INDICATED OTHERWISE. (TYPICAL).
  3. PROVIDE NEW DIFFUSERS AND BALANCE AS PER SPECIFIED ON DRAWINGS. (TYPICAL)
  4. CONNECT TO NEW SUPPLY DUCTWORK TO EXISTING.
  5. EXISTING SUPPLY DUCTWORK TO REMAIN.
  6. EXISTING RETURN AIR DUCT TO REMAIN.
  7. REMOVE AND RE-INSTALL ALL DIFFUSERS IN CORRIDOR WHERE THE CEILING IS REPLACED. (TYPICAL)
  8. PROVIDE 600x300 ACOUSTICALLY LINED TRANSFER AIR DUCT. (TYPICAL 4)



NUMBER	DATE	REMARKS
1.	30/04/22	ISSUED FOR BIDD
2.	13/06/22	ISSUED FOR 100%
3.	27/04/22	ISSUED FOR TENDER

CONTRACTOR IS TO CHECK AND VERIFY ALL DIMENSIONS AND CONDITIONS ON THE PROJECT AND REPORT ANY DISCREPANCIES TO THE ARCHITECT BEFORE PROCEEDING WITH THE WORK. DRAWINGS ARE NOT TO BE SCALED.  
 CONTRACT DOCUMENTS ARE THE COPYRIGHT OF THE CONSULTANTS AND SHALL NOT BE USED OR REPRODUCED WITHOUT AUTHORIZATION.  
 DOCUMENTS ARE TO BE RETURNED UPON COMPLETION OF THE PROJECT.  
**ATA ARCHITECTS**

HUMBER COLLEGE  
PHASE 4

NORTH CAMPUS

GROUND FLOOR -  
HVAC - PHASE 4A

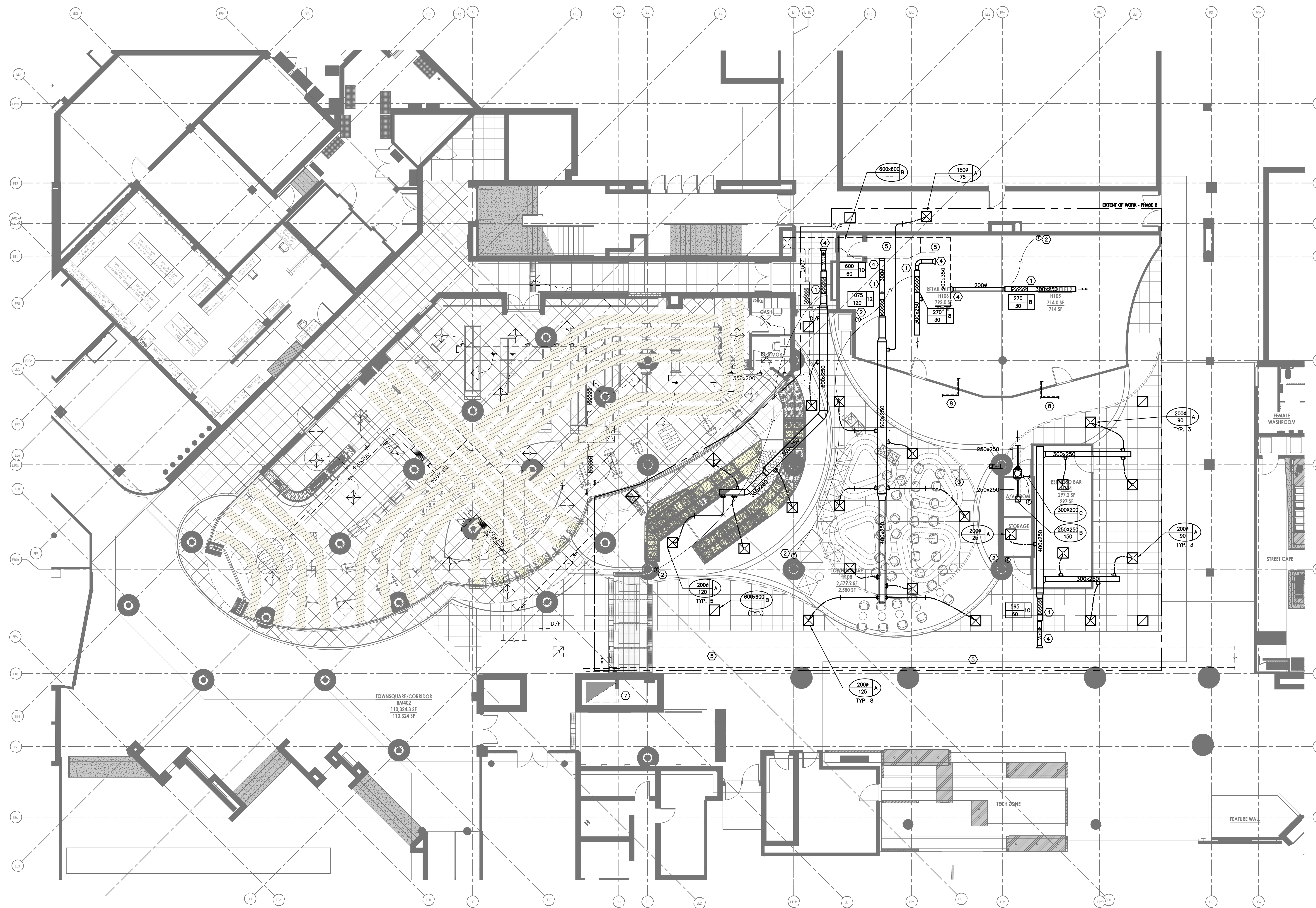
LT

1:100

MARCH 2022

MS

2022-0002



- DRAWING NOTES**
1. PROVIDE NEW VAV BOX COMPLETE WITH ALL HANGERS, SUPPORT DUCTWORK AND CONTROLS REQUIRED FOR A COMPLETE AND FUNCTIONAL SYSTEM. ALL DUCTWORK DOWNSTREAM OF VAV BOXES SHALL BE EQUAL TO THE BOX OUTLET SIZE (MINIMUM) OR LARGER AS INDICATED. WHERE OUTLET SIZES ARE 0000 SIZES, THE DUCT SIZE SHALL BE ROUNDED UP TO THE NEAREST EVEN SIZE (E. 318MM (12.5 IN.) OR 330MM (13 IN.) SHALL BE 350MM (14 IN.)). PROVIDE TRANSITION DUCTS AS REQUIRED. (TYPICAL).
  2. CONTROL CONTRACTOR TO PROVIDE AND INSTALL NEW TEMPERATURE SENSOR FOR VAV BOXES. ALLOW FOR INTEGRATION OF NEW CONTROLS TO EXISTING BUILDING AUTOMATION SYSTEM AND INTERLOCKED WITH LIGHTING CONTROL SYSTEM. TEMPERATURE SENSORS ARE LOCATED TO AID IN PAGING ONLY AND ALL REQUIRED SENSORS MAY NOT BE SHOWN. COORDINATED FINAL LOCATION WITH ARCHITECT WITHIN 100MM (40 IN.) OF LOCATION SHOWN. ALL RELOCATIONS OUTSIDE OF THE RANGE SHALL BE REVIEWED WITH THE CONSULTANT. TEMPERATURE SENSORS SHALL BE NOMINALLY 1200MM (48 IN.) ABOVE THE FINISHED FLOOR UNLESS INDICATED OTHERWISE. (TYPICAL).
  3. PROVIDE NEW DIFFUSERS AND BALANCE AS PER SPECIFIED ON DRAWINGS. (TYPICAL)
  4. CONNECT TO NEW SUPPLY DUCTWORK TO EXISTING.
  5. EXISTING SUPPLY DUCTWORK TO REMAIN.
  6. PROVIDE EXHAUST FAN COMPLETE WITH REVERSE ACTING THERMOSTAT, VIBRATION ISOLATION HANGERS, ALL DUCTWORK AND ACCESSORIES. CONNECT TO EXISTING BUILDING AUTOMATION SYSTEM.
  7. EXISTING RETURN AIR DUCTWORK TO REMAIN.
  8. PROVIDE 400x300 ACOUSTICALLY LINED TRANSFER AIR DUCTS. (TYPICAL 2)



NUMBER	DATE	REMARKS
1.	20/04/22	ISSUED FOR BOM
2.	13/06/22	ISSUED FOR 100% REVISED
3.	27/04/22	ISSUED FOR TENDER

CONTRACTOR IS TO CHECK AND VERIFY ALL DIMENSIONS AND CONDITIONS ON THE PROJECT AND REPORT ANY DISCREPANCIES TO THE ARCHITECT BEFORE PROCEEDING WITH THE WORK. DRAWINGS ARE NOT TO BE SCALED.  
 CONTRACT DOCUMENTS ARE THE COPYRIGHT OF THE CONSULTANTS AND SHALL NOT BE USED OR REPRODUCED WITHOUT AUTHORIZATION.  
 DOCUMENTS ARE TO BE RETURNED UPON COMPLETION OF THE PROJECT.  
**ATA ARCHITECTS**

HUMBER COLLEGE  
PHASE 4

NORTH CAMPUS

GROUND FLOOR -  
HVAC - PHASE 4B

LT

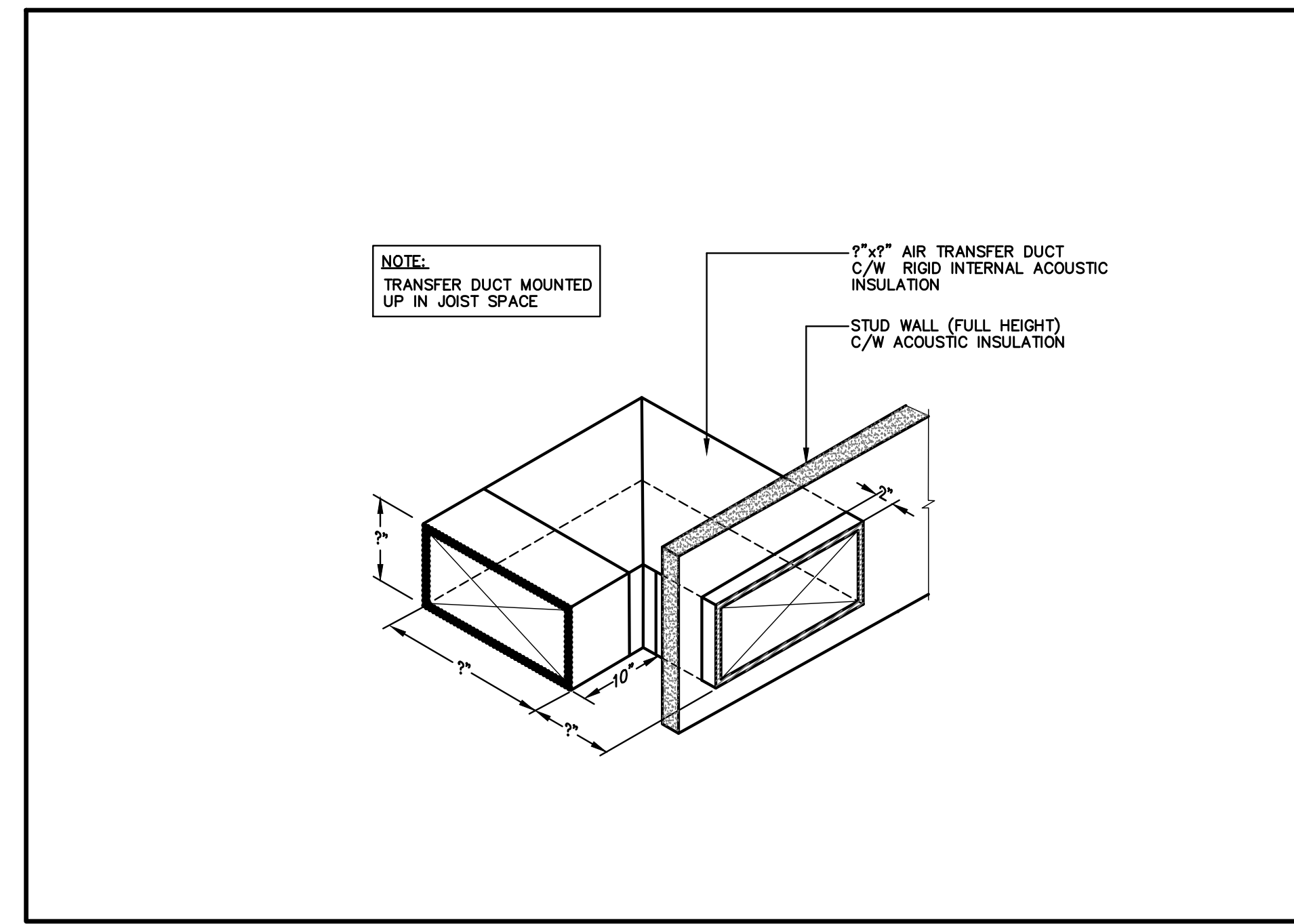
1:100

MARCH 2022

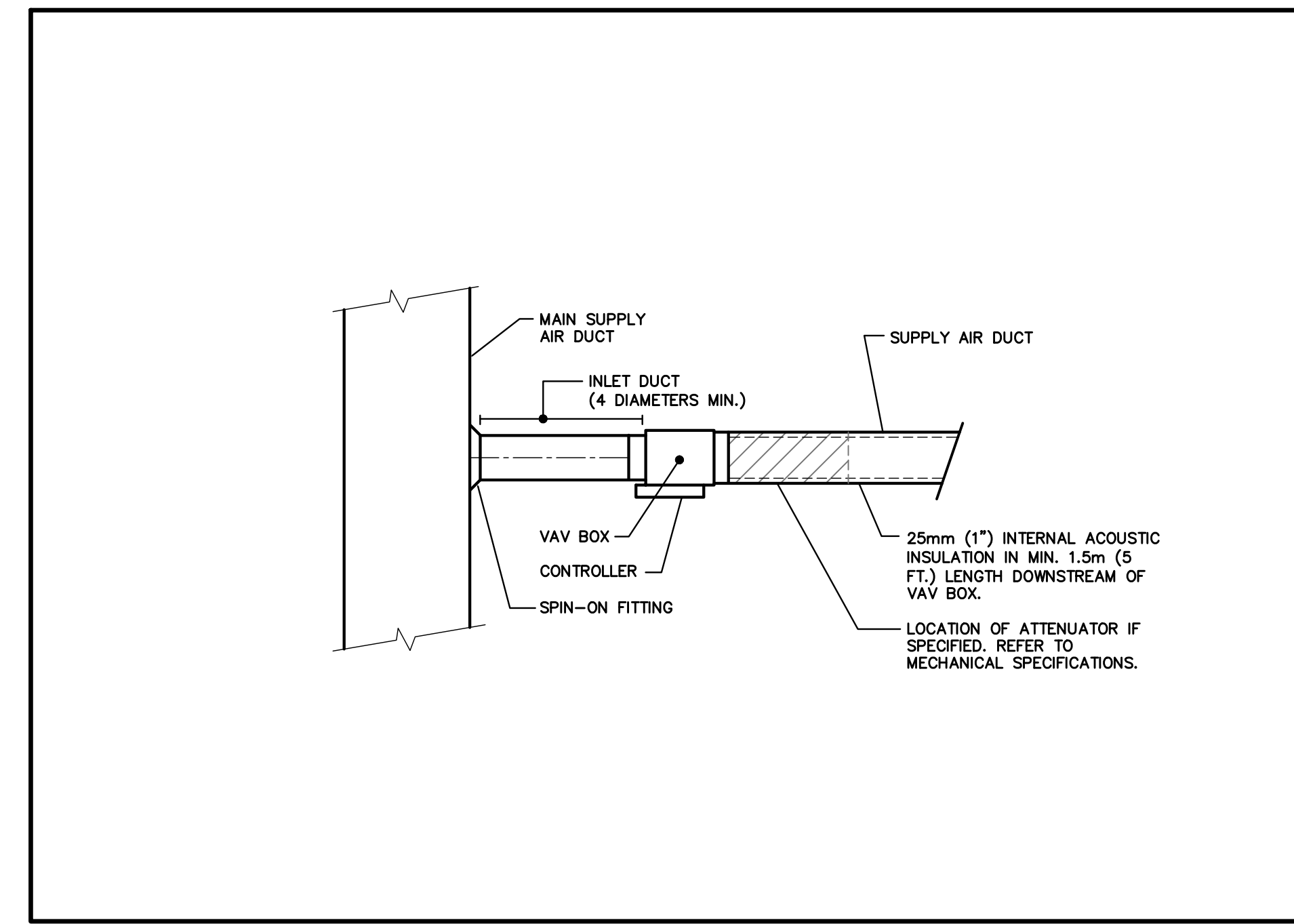
MS

2022-0002

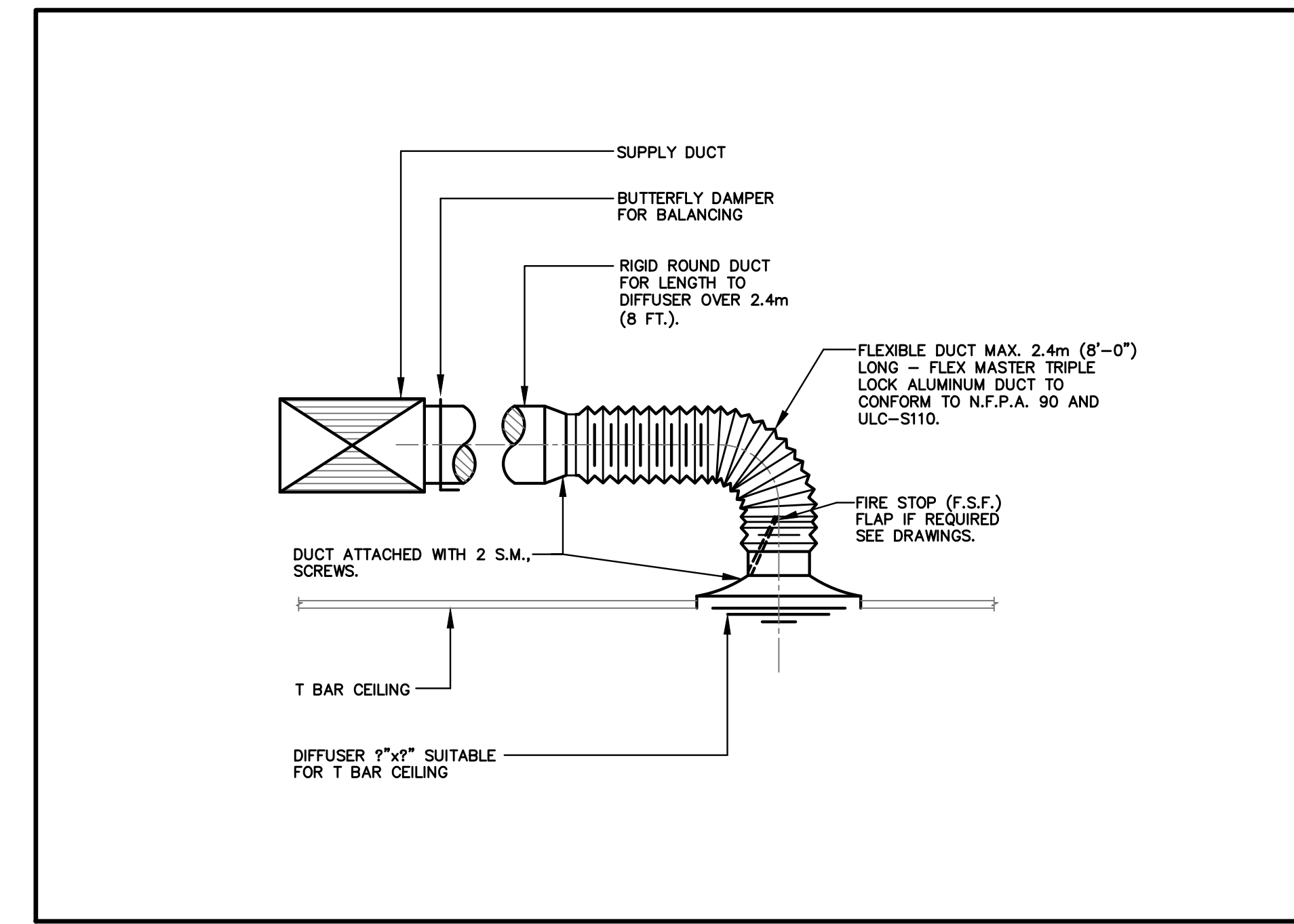
M201



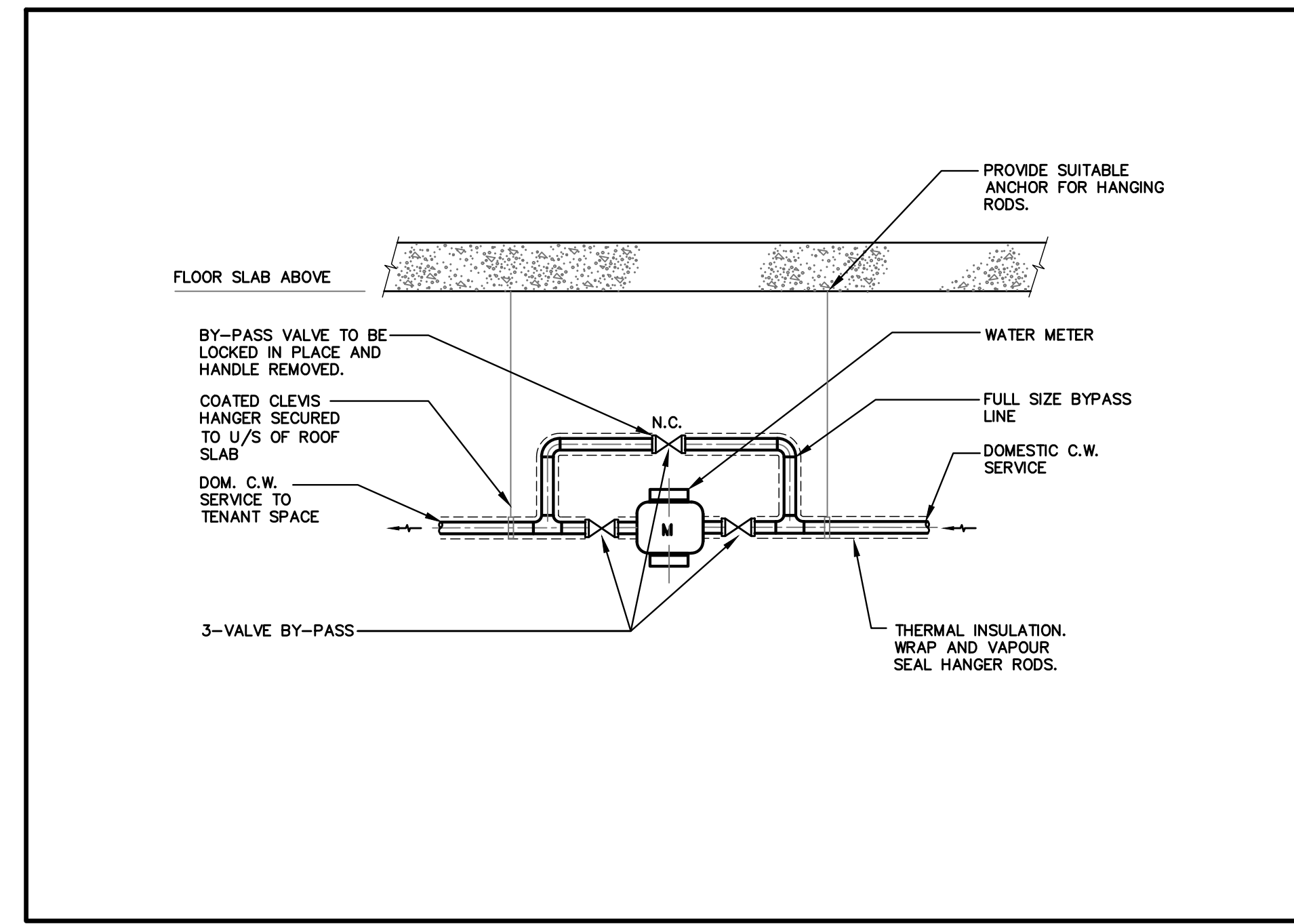
1 TRANSFER AIR DUCT DETAIL  
M-500 N.T.S.



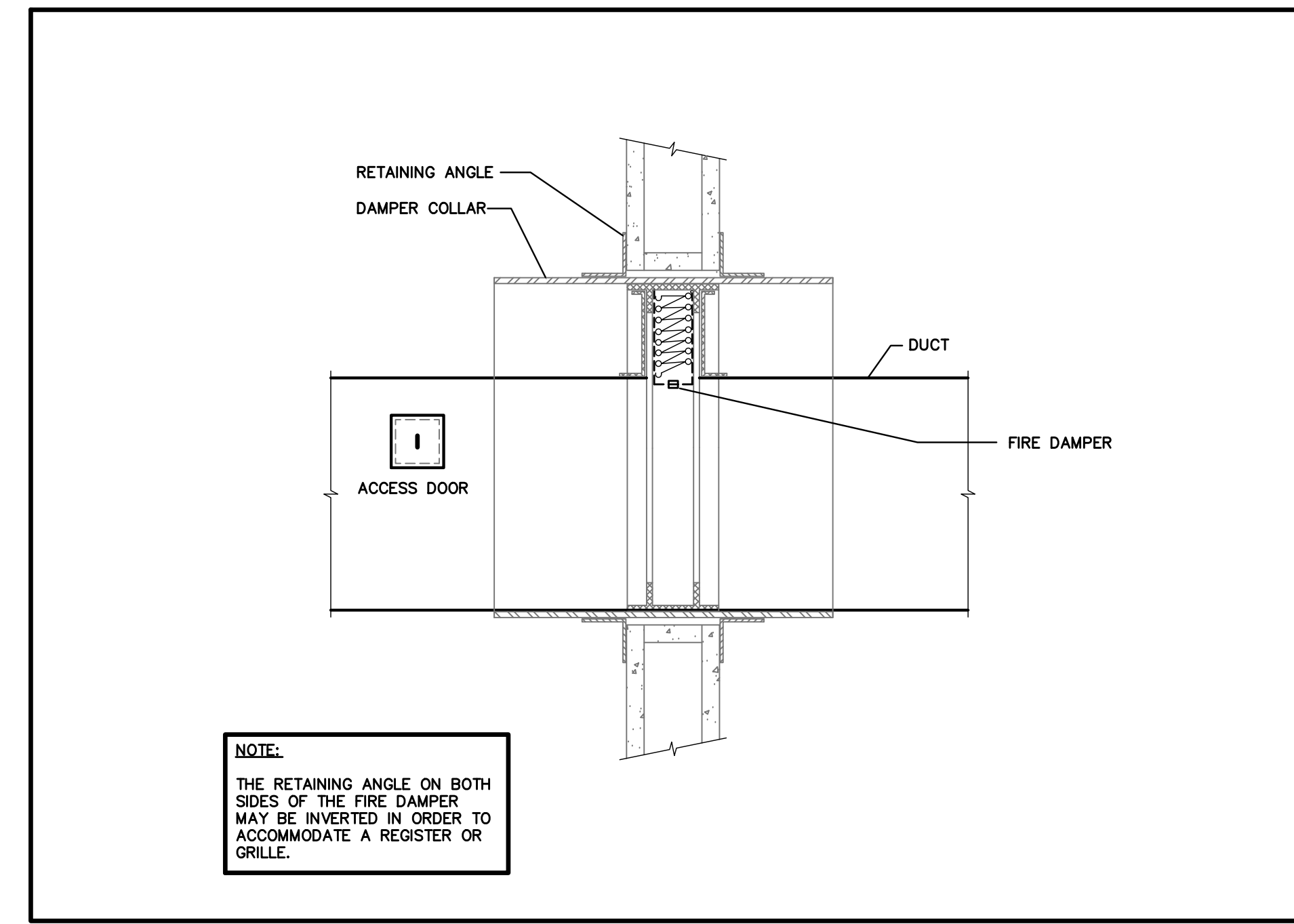
2 VAV BOX DETAIL  
M500 N.T.S.



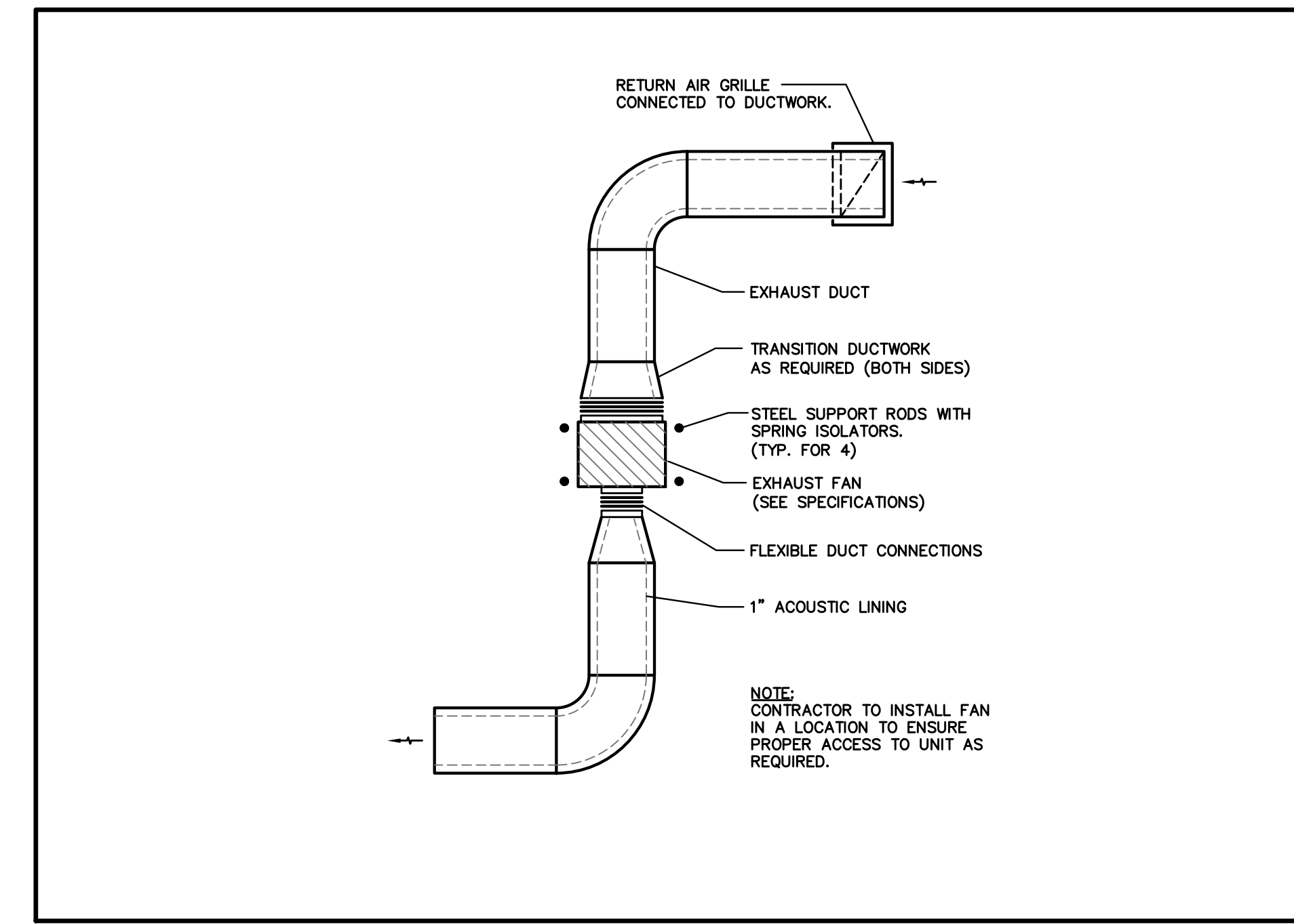
3 TYPICAL SUPPLY DIFFUSER CONNECTION  
M500 N.T.S.



4 CHECK METER INSTALLATION DETAIL  
M-500 N.T.S.



5 FIRE DAMPER INSTALLATION DETAIL  
M-500 N.T.S.



6 DETAIL OF EXHAUST FAN  
M500 N.T.S.



NUMBER	DATE	REMARKS
1.	20/04/22	ISSUED FOR BOM
2.	13/06/22	ISSUED FOR 100%
3.	27/06/22	ISSUED FOR TENDER

CONTRACTOR IS TO CHECK AND VERIFY ALL DIMENSIONS AND CONDITIONS ON THE PROJECT AND REPORT ANY DISCREPANCIES TO THE ARCHITECT BEFORE PROCEEDING WITH THE WORK. DRAWINGS ARE NOT TO BE SCALED.  
CONTRACT DOCUMENTS ARE THE COPYRIGHT OF THE CONSULTANTS AND SHALL NOT BE USED OR REPRODUCED WITHOUT AUTHORIZATION.  
DOCUMENTS ARE TO BE RETURNED UPON COMPLETION OF THE PROJECT.



HUMBER COLLEGE  
PHASE 4  
NORTH CAMPUS  
MECHANICAL DETAILS  
LT  
N.T.S.  
MARCH 2022  
MS  
2022-0002