

REVISIONS

No.	Revision	By	Date

# SIEMENS

## PROJECT:

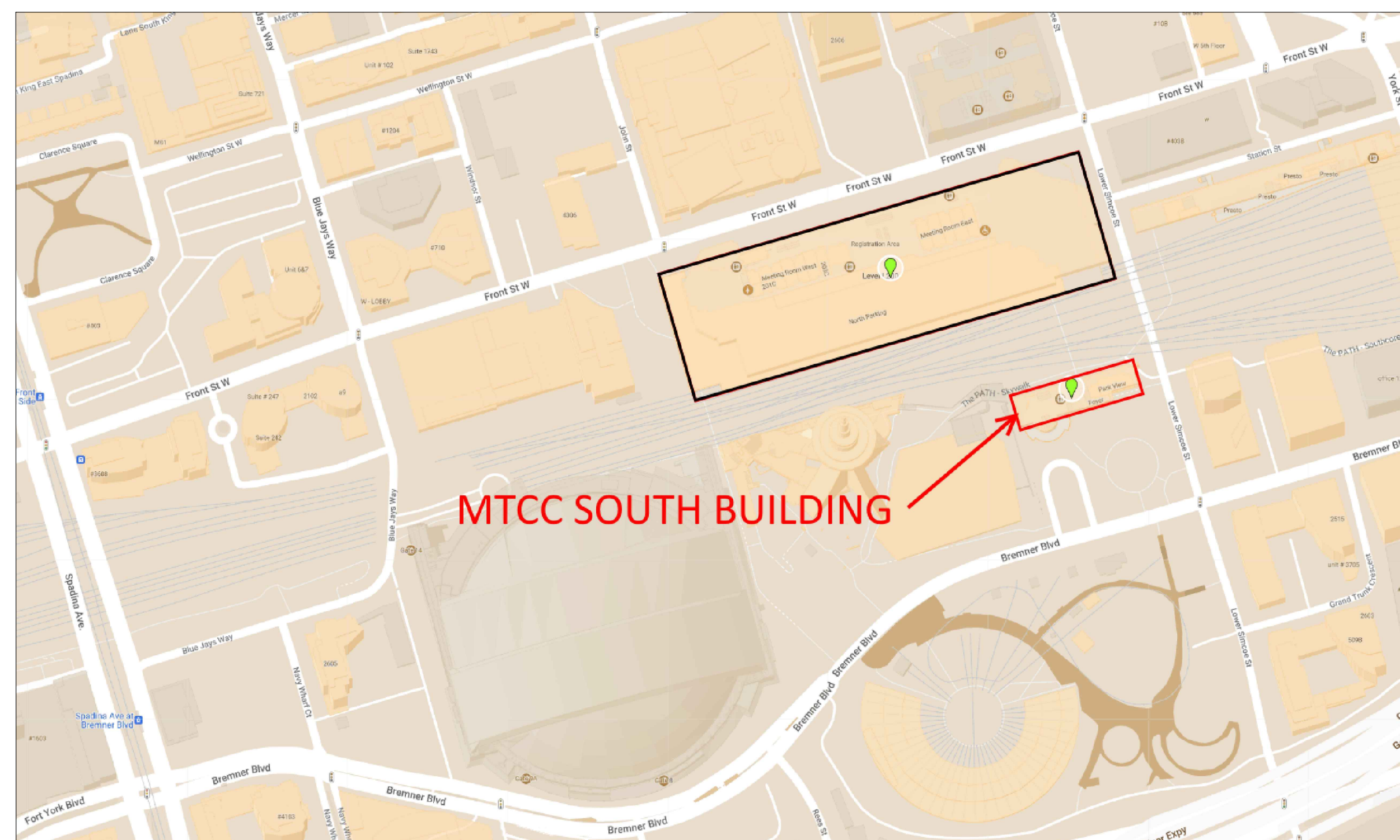
### METRO TORONTO CONVENTION CENTRE

### SOUTH BUILDING

### 222 BREMNER BOULEVARD,

### TORONTO, ON

# FIRE ALARM



- GENERAL NOTES**
- SIEMENS EQUIPMENT IS UNDERWRITERS LABORATORIES OF CANADA (ULC) LISTED FOR POWER LIMITED INSTALLATION.
  - INSTALLATION SHALL BE IN STRICT CONFORMANCE WITH THE ELECTRICAL CODE, BUILDING CODE, ULC INSTALLATION STANDARD CAN/ULC-5524 AND OTHER APPLICABLE RELAY CODES AND STANDARDS.
  - UNLESS NOTED OTHERWISE ALL WIRING AND INSTALLATION METHODS SHALL CONFORM TO LOCAL ELECTRICAL CODE.
  - A STAMPED SET OF ELECTRICAL ENGINEER'S APPROVED FIRE ALARM PLANS AND SPECIFICATION SHALL BE ON THE JOB SITE AND USED FOR INSTALLATION.
  - ALL RACEWAY RUNS INDICATED WITHIN THIS DRAWING PACKAGE ARE SHOWN DIAGRAMMATICALLY AND ARE FOR CIRCUITING PURPOSES ONLY. ALL RUNS SHOWN SHOULD NOT SERVE IN ANY WAY AS AN ACTUAL ROUTING GUIDE FOR INSTALLATION OF RACEWAYS. EXACT INSTALL LOCATION SHALL BE FIELD DETERMINED.
  - WIRING SHALL NOT BE LOOPED UNDER DEVICE TERMINALS. WIRE MUST BE CUT FOR IN AND OUT RUNS PRIOR TO INSTALLING UNDER DEVICE TERMINALS.
  - WHERE SHIELDED CABLE IS USED, THE SHIELD SHALL BE CONTINUOUS AND GROUNDED ONLY ONCE AT THE RESPECTIVE CONTROL PANEL.
  - ALL WIRING SHALL BE SUPERVISED UNLESS OTHERWISE INDICATED.
  - WHERE MORE THAN TWO VISUAL APPLIANCES ARE IN THE SAME FIELD OF VIEW, THEY SHALL BE SYNCHRONIZED, REFERENCE APPLICABLE LISTINGS UNDER STANDARD FOR INSTALLATION OF FIRE ALARM SYSTEMS CAN/ULC-5524:2014 SENTENCE 9.4.2.
  - CEILING MOUNTED VISUAL NOTIFICATION APPLIANCES SHALL BE MOUNTED BELOW VISUAL OBSTRUCTIONS AS PER APPLICABLE LOCAL BUILDING CODE AND STANDARDS.
  - INSTALLATION OF DEVICES SHALL BE IN ACCORDANCE WITH MANUFACTURER INSTALLATION INSTRUCTIONS AND LISTINGS. MISAPPLICATION OF SIEMENS EQUIPMENT AND SUCH, VOID ALL WARRANTIES EITHER EXPRESSED OR IMPLIED WITH REGARD TO LOSS, DAMAGE, LIABILITIES AND/OR SERVICE PROBLEMS.
  - INSTALL INTELLIGENT DEVICES IN RELATIVE HUMIDITY ENVIRONMENTS OF 65% TO 80% (NON-CONDENSING).
  - INSTALLATION MATERIALS (I.E. CONDUIT, WIRE, FITTINGS, HANGERS, STANDARD BOXES, FIBER OPTIC CABLE, FITTINGS, AND ASSOCIATED EQUIPMENT) ARE NOT SUPPLIED BY SIEMENS.
  - ALL CABLES SHALL BE FIRE RATED WHERE REQUIRED AS PER ULC INSTALLATION STANDARD CAN/ULC-5524 AND SPECIFICATION. CONSIDERATION FOR CABLE INTEGRITY AND SURVIVABILITY INCLUDE FIRE RATED CABLES, CONDUCTORS BURIED IN CONCRETE, FIRE RATED ROOFING AND FIRE RATED ROOMS WITH NON-COMBUSTIBLE MATERIALS. (HIGH RISE ONLY)
  - FIRE ALARM CABLE INSTALLED IN UNDERGROUND CONDUIT OR OTHER WET LOCATIONS SHALL BE ULC LISTED FOR WET LOCATIONS.
  - ALL 120VAC CIRCUITS FEEDING FIRE ALARM EQUIPMENT SHALL BE FROM A DEDICATED CIRCUIT WITH A BREAKER LOCK-ON DEVICE AND LABELED FIRE ALARM LOCK-ON DEVICE SHALL BE PAINTED RED WHERE REQUIRED BY CONTRACT DOCUMENTS OR LOCAL REGULATORY REQUIREMENTS.
  - ALL 120VAC CIRCUITS ARE TO BE EMERGENCY POWER ONLY (IF APPLICABLE) REQUIRING SINGLE OR MULTIPLE DEDICATED BREAKERS. SINGLE PHASE 120VAC SUPPLIES ARE PREFERRED.
  - ALL WIRING SHALL BE METTERED, VERIFIED TO BE CONTINUOUS, FREE OF GROUNDS AND OPENS AND FREE OF SHORTS BETWEEN CONDUCTORS AND OTHER CIRCUITS PRIOR TO PANEL CONNECTION.
  - IRREGULAR CIRCUITS GREATER THAN 30V ARE NOT ALLOWED WITHIN THE CONTROL PANEL.
  - DO NOT INSTALL CONDUIT AT THE BOTTOM OF THE CABINET IF BATTERIES ARE INSTALLED WITHIN THE CABINET. REFER TO PANEL LAYOUTS.
  - EFFORTS MUST BE PLACED ON MINIMIZING UNNECESSARY WIRE RUNS WITHIN DEVICE BACKBOXES. DO NOT INSTALL WIRE WITHIN A BACKBOX THAT DOES NOT SERVE ITS CORRESPONDING DEVICE AND WHICH MAY INHIBIT ITS PROPER INSTALLATION. GOOD WIRING/INSTALLATION PRACTICES MUST BE ADHERED TO AT ALL TIMES.
  - AS FIELD CONDITIONS DICTATE ACTUAL RACEWAY INSTALLATIONS, DEVICE BACK BOXES AND JUNCTION BOXES SHALL BE SIZED PER FIELD INSTALLING CONDITIONS. DEVICE BACK BOX SIZES INDICATED WITHIN THIS DRAWING PACKAGE ARE MINIMUM REQUIREMENTS ONLY. AN INCREASE IN BACK BOX DEPTH, ADDITION OF EXTENSION BOXING, ETC. MAY BE REQUIRED IN ORDER TO PROPERLY ACCOMMODATE FOR WIRE QUANTITIES INSTALLED WITHIN THE RACEWAY.
  - THE INSTALLATION OF DEVICES WHICH REQUIRE EXCESSIVE FORCE, THE PINCHING OF WIRES, RESULT IN GROUND FAULTS, ETC. IN ORDER TO PROPERLY SEAT THE DEVICE TO ITS FINISHED SURFACE SHALL BE CONSIDERED UNACCEPTABLE AND A NON-SIEMENS INSTALLATION STANDARD.
  - DO NOT APPLY POWER TO CONTROL PANEL(S) UNTIL A SIEMENS TECHNICIAN HAS CHECKED THE SYSTEM INSTALLATIONS. UPON SATISFACTORY COMPLETION OF THEIR INSPECTION, POWER WILL BE APPLIED TO THE CONTROL PANEL(S). SIEMENS ASSUMES NO LIABILITY FOR ANY DAMAGE TO THE EQUIPMENT SUPPLIED IF POWER IS APPLIED TO THE CONTROL PANEL(S) PRIOR TO INSPECTION OF THE INSTALLATION BY SIEMENS TECHNICIAN.
  - CONTACT SIEMENS IMMEDIATELY IF ANY FIRE ALARM DEVICES NOT RATED FOR WEATHERPROOF ENVIRONMENTS ARE REQUIRED TO BE MOUNTED IN AREAS REQUIRING A WEATHERPROOF RATING.
  - IT IS THE INTENT THAT THE GENERAL NOTES INDICATED ABOVE BE APPLICABLE ONLY TO THE CONTRACTED WORK INDICATED WITHIN THIS DRAWING PACKAGE. SUCH GENERAL NOTES SHALL NOT BE APPLICABLE TO ANY EXISTING CONDITIONS WITHIN THE FACILITY, I.E. EXISTING CONDITIONS FOUND TO BE PRESENT PRIOR TO THIS CONTRACT. WORK PREVIOUSLY PERFORMED BY OTHER FIRE ALARM CONTRACTORS, SEPARATE WORK UNRELATED TO THIS CONTRACT, SYSTEMS PREVIOUSLY APPROVED UNDER PAST CODES/REGULATIONS, ETC.
  - THE ELECTRICAL CONTRACTOR SHALL CLEAN ALL DIRT AND DEBRIS FROM THE OUTSIDE AND INSIDE OF THE FIRE ALARM BACK BOXES AND JUNCTION BOXES AFTER COMPLETION OF THEIR INSTALLATION.
  - ALL REPRESENTATIONS ON THIS DRAWING ARE TYPICAL AND SHOULD BE USED FOR REFERENCE PURPOSES ONLY. PLEASE REFER TO PLANS AND SPECIFICATIONS FOR EXACT DEVICE QUANTITIES AND LOCATIONS. FOR ADDITIONAL INSTALLATION INSTRUCTIONS REFER TO CATALOG, CUT SHEETS AND/OR INSTALLATION INSTRUCTIONS.
  - THESE DRAWINGS DEPICT GENERAL LOCATIONS OF LIFE SAFETY EQUIPMENT & FIELD DEVICES. EXACT ROUTING OF THE CONDUITS TO BE DETERMINED IN THE FIELD BY THE INSTALLING CONTRACTOR TO SUIT CONDITIONS. ALL THE CHANGES SHALL BE CLEARLY INDICATED ON THE RECORD DRAWINGS.
  - FINAL LOCATIONS OF ALL CABINETS, I.E. CONTROL PANELS, TRANSDUCERS, ANNUNCIATORS, GRAPHICS ETC. SHALL BE DETERMINED ON SITE.
  - INSTALLING CONTRACTOR SHALL RETURN ONE SET OF ACCURATELY MARKED SHOP DRAWINGS FOR "AS BUILT" PURPOSES.

- DEVICE INSTALLATION/OPERATING GUIDELINES**
- THE ULC LISTED OPERATING TEMPERATURE RANGE FOR ALL DEVICES IS FROM 32°F (0°F) TO 104°F (40°F). IF A DEVICE IS SHOWN IN AN AREA WHICH MAY EXPERIENCE EXTREME COLD OR HEAT, CONTACT YOUR SIEMENS REPRESENTATIVE. CHECK FOR MORE RESTRICTIVE TEMPERATURE RANGES BY REFERRING TO SIEMENS EQUIPMENT DOCUMENTS.
  - FIRE ALARM EQUIPMENT SHALL NOT BE ALLOWED TO GET WET OR ALLOWED TO BE EXPOSED TO THE ELEMENTS EXCEEDING NORMAL OPERATING CONDITIONS. LISTED WEATHERPROOF NOTIFICATION APPLIANCES MAY BE PLACED AT AN EXTERIOR LOCATION. ALL OTHER DEVICES NOT SPECIFICALLY LISTED AS WEATHERPROOF MUST BE INSTALLED IN AN APPROVED ENCLOSED APPLICABLE FOR THE ANTICIPATED ENVIRONMENT AND DEVICES TO BE INSTALLED.
  - THE INSTALLATION OF A FIRE ALARM SYSTEM AND ANY FIRE ALARM EQUIPMENT MUST NOT BE INSTALLED NEXT TO OR WITHIN CLOSE PROXIMITY OF ANY RADIO FREQUENCY EQUIPMENT (FM, HF, HIGH OUTPUT, ETC.) SUCH INSTALLING CONDITIONS MAY CAUSE UNDESIRABLE EFFECTS TO THE SYSTEM SUCH AS INTERMITTENT FAULTS, WIRELESS SYSTEM OBSTRUCTIONS, FALSE ALARMS, ETC.
  - DO NOT INSTALL ANY ADDRESSABLE DEVICES UNTIL THEY HAVE BEEN PROPERLY PROGRAMMED. ELECTRICAL CONTRACTOR SHALL ADDRESS DEVICES USING THE DPU BEFORE FINAL DEVICE INSTALLATION. CONTACT SIEMENS FOR ASSISTANCE.
  - DO NOT REMOVE DUST COVERS FROM SMOKE DETECTORS UNTIL ALL CONSTRUCTION HAS BEEN COMPLETED. DUST COVERS WHICH HAVE BEEN REMOVED FROM ANY DETECTOR PRIOR TO THE FINAL CLEAN-UP OF ALL TRACES SHALL BE CLEANED OR REPLACED. SIEMENS IS NOT RESPONSIBLE FOR FAULTS CAUSED BY DUST RELATED TO CONTAMINATION.
  - ALL WARNING DEVICES (SMOKES, MANUAL PULLS, ETC.) AND NOTIFICATION APPLIANCES (PINGING, STROBES, ETC.) MUST BE INSTALLED WITH BATTERIES. THE EQUIPMENT SHOULD NEVER BE SUPPORTED WITH THE CIRCUIT WIRES. NO DEVICE SHALL BE INSTALLED PERMANENTLY UNTIL ITS VERIFICATION IS COMPLETE.
  - THE USE OF MAGNETS FOR THE PURPOSE OF TESTING DETECTORS FOR INITIATION OF AN ALARM IS STRICTLY PROHIBITED. TESTING WITH A MAGNET DOES NOT SATISFY CAN/ULC-5524 & SQA TEST METHOD REQUIREMENT OF SMOKE ENTRY AND THE SENSING CHAMBER, AND MAY CAUSE UNDESIRABLE EFFECTS TO THE DETECTOR.
  - THE PANNING OR MODIFYING OF FIRE ALARM EQUIPMENT IS STRICTLY PROHIBITED AND SHOULD NOT BE PERFORMED UNDER ANY CIRCUMSTANCES (SMOKE DETECTORS, AUDIO / VISUAL APPLIANCES, MANUAL PULL STATIONS, ETC.) DOING SO WILL NULLIFY ULC LISTING OF THE DEVICE.

- TYPICAL CALLOUTS & ABBREVIATIONS**
- |                                      |                                      |
|--------------------------------------|--------------------------------------|
| AC = ABOVE CEILING                   | IF = HEIGHT                          |
| AFF = ABOVE FINISHED FLOOR           | ID = IN-DUCT MOUNTED                 |
| AJL = ABOVE JAWB LINE JURISDICTION   | IO = INTERIOR DEVICE CIRCUIT         |
| ARU = AIR HANDLING UNIT              | MAX = MAXIMUM                        |
| ANN = ANNUNCIATOR                    | MIN = MINIMUM                        |
| BMS = BUILDING MANAGEMENT SYSTEM     | N = NEAR                             |
| C = CEILING MOUNTED                  | N/A = NOT APPLICABLE                 |
| C = CONDUIT (CIRCULAR RACEWAY)       | NAC = NOTIFICATION APPLIANCE CIRCUIT |
| CO = (CAN, US) CAMELA                | NC = NOT IN CONTACT                  |
| LVS = LINES PER SECOND (ARROW)       | NTS = NOT TO SCALE                   |
| CSFD = COMBINATION SMOKE FIRE DAMPER | PS = POWER SUPPLY                    |
| DR = DRIP & RE-TRAP EXISTING         | RA = RETURN-AIR GRILL MOUNTED        |
| EX = EXISTING                        | RL = RELOCATED DEVICE                |
| EL = ELEVATOR LOCAL                  | RR = REMOVE EXISTING, REPLACE W/ NEW |
| ESL = END OF LINE                    | SF = DEVICE MOUNTED IN SUB-FLOOR     |
| EM = EMERGENCY POWER OFF             | SFC = SIGNALING LINE CIRCUIT         |
| EPD = EXISTING TO BE RELOCATED       | TBE = TO BE DETERMINED               |
| FAC = FIRE ALARM ANNUNCIATOR         | TF = TYPICAL                         |
| FACP = FIRE ALARM CONTROL PANEL      | UF = UNDER-FLOOR                     |
| FACD = FIRE ALARM TERMINAL CABINET   | UN = UNLESS OTHERWISE NOTED          |
| FAP = FIRE ALARM TRANSDUCER PANEL    | UV = UNDER-VEIL MOUNTED              |
| FBI = FINISHED BY OTHER              | WP = WEATHERPROOF                    |
| FSD = FIRE SMOKE DAMPER              | X = EXISTING                         |
|                                      | XP = EXHAUSTION PROOF                |

FIRE ALARM DRAWING LIST

E-FA-01	COVER PAGE
E-FA-02	ZONE SCHEDULE
E-FA-03	MIGRATION RISER
E-FA-04	BATTERY CALCULATIONS 1 OF 2
E-FA-05	BATTERY CALCULATIONS 2 OF 2
E-FA-06	PANEL TRANSFER DETAILS
E-FA-07	TYPICAL FIELD DEVICE WIRING DETAILS
E-PNL-01	MAIN ANNUNCIATOR (TUB#1) PANEL LAYOUT
E-PNL-02	MAIN ANNUNCIATOR (TUB#2) PANEL LAYOUT
E-PNL-03	ACTIVE GRAPHIC PANEL LAYOUT
E-PNL-04	MAIN ANNUNCIATOR (ALTERNATE) PANEL LAYOUT
E-PNL-05	TRANSDUCER L1-E PANEL LAYOUT
E-PNL-06	TRANSDUCER L1-S (TUB#1) PANEL LAYOUT
E-PNL-07	TRANSDUCER L1-S (TUB#2) PANEL LAYOUT
E-PNL-08	TRANSDUCER L1-W PANEL LAYOUT
E-PNL-09	TRANSDUCER L2-NE (TUB#1) PANEL LAYOUT
E-PNL-10	TRANSDUCER L2-NE (TUB#2) PANEL LAYOUT
E-PNL-11	TRANSDUCER L2-NW (TUB#1) PANEL LAYOUT
E-PNL-12	TRANSDUCER L2-NW (TUB#1) PANEL LAYOUT

PRODUCT MANUFACTURER:  
**SIEMENS**  
 SIEMENS CANADA LIMITED  
 SMART INFRASTRUCTURE  
 TORONTO BRANCH  
 1577 NORTH SERVICE ROAD EAST  
 OAKVILLE, ON L6H 0H6  
 Tel 905.465.7208 Fax 905.465.8167

JOB NAME & LOCATION  
**METRO TORONTO CONVENTION CENTRE**  
**SOUTH BUILDING**  
**FIRE ALARM MODERNIZATION**  
 222 BREMNER BOULEVARD,  
 TORONTO, ON

SHEET CONTENTS:  
**COVER PAGE**

**DESIGO FIRE SAFETY MODULAR SYSTEM**  
 SYSTEM SALES REP: RYAN BROCKWAY  
 PROJECT MANAGER: MAXIM VELIKY  
 DRAWN BY: REMO MARTIGNAGO  
 CHECKED BY:  
 SCALE: NTS  
 DATE DRAWN: APRIL 15, 2024  
 SHEET NUMBER: E-FA-01  
 SIEMENS JOB NUMBER: J-SI-07733



TYPE	REF	ZONE DESCRIPTION
ALM	ZNF1	500 LEVEL COMMERCIAL AREA ALARM
ALM	ZNF2	500 LEVEL COMMERCIAL AREA FLOW
ALM	ZNF3	500 LEVEL PUBLIC ENTRY AREA ALARM
ALM	ZNF4	500 LEVEL PUBLIC ENTRY AREA FLOW
ALM	ZNF5	400 LEVEL COMMERCIAL ALARM
ALM	ZNF6	400 LEVEL COMMERCIAL FLOW
ALM	ZNF7	PATH LEVEL ELEVATOR LOBBY ALARM
ALM	ZNF8	PATH LEVEL ELEVATOR LOBBY FLOW
ALM	ZNF9	BRIDGE LEVEL ELEVATOR LOBBY ALARM
ALM	ZNF10	BRIDGE LEVEL ELEVATOR LOBBY FLOW
ALM	ZNF11	600 LEVEL NORTH EAST MECHANICAL ROOM ALARM
ALM	ZNF12	600 LEVEL NORTH EAST MECHANICAL ROOM FLOW
ALM	ZNF13	600 LEVEL REGISTRATION ALARM
ALM	ZNF14	600 LEVEL REGISTRATION FLOW
ALM	ZNF15	600 LEVEL ADMINISTRATION ALARM
ALM	ZNF16	600 LEVEL ADMINISTRATION FLOW
ALM	ZNF17	600 LEVEL TDHC WET AND DRY WELL ALARM
ALM	ZNF18	600 LEVEL TDHC WET AND DRY WELL FLOW
ALM	ZNF19	600 LEVEL ONE WAY RAMP ALARM
ALM	ZNF20	600 LEVEL ONE WAY RAMP FLOW
ALM	ZNF21	600 LEVEL PEDESTRIAN CORRIDOR FLOW
ALM	ZNF22	600 LEVEL PEDESTRIAN CORRIDOR FLOW
ALM	ZNF23	600 LEVEL EAST ENTRANCE ALARM
ALM	ZNF24	600 LEVEL EAST ENTRANCE FLOW
ALM	ZNF25	600 LEVEL EAST CENTRAL PARKING AREA ALARM
ALM	ZNF26	600 LEVEL EAST CENTRAL PARKING AREA FLOW
ALM	ZNF27	600 LEVEL WEST CENTRAL PARKING AREA ALARM
ALM	ZNF28	600 LEVEL WEST CENTRAL PARKING AREA FLOW
ALM	ZNF29	600 LEVEL WEST PARKING AREA ALARM
ALM	ZNF30	600 LEVEL WEST PARKING AREA FLOW
ALM	ZNF31	600 LEVEL STAIR 1
ALM	ZNF32	600 LEVEL STAIR 2
ALM	ZNF33	600 LEVEL STAIR 3
ALM	ZNF34	600 LEVEL STAIR 4
ALM	ZNF35	600 LEVEL STAIR 5
ALM	ZNF36	600 LEVEL STAIR 6
ALM	ZNF37	600 LEVEL STAIR 7
ALM	ZNF38	600 LEVEL STAIR 8
ALM	ZNF39	600 LEVEL STAIR 9
ALM	ZNF40	600 LEVEL STAIR 10
ALM	ZNF41	600 LEVEL STAIR 11
ALM	ZNF42	600 LEVEL STAIR 12
ALM	ZNF43	600 LEVEL STAIR 13
ALM	ZNF44	600 LEVEL STAIR 14A
ALM	ZNF45	600 LEVEL STAIR 15A
ALM	ZNF46	600 LEVEL STAIR 16A
ALM	ZNF47	600 LEVEL STAIR 17
ALM	ZNF48	600 LEVEL STAIR 18

TYPE	REF	ZONE DESCRIPTION
ALM	ZNF49	600 LEVEL STAIR 19
ALM	ZNF50	600 LEVEL STAIR 20
ALM	ZNF51	600 LEVEL STAIR 21
ALM	ZNF52	600 LEVEL STAIR 22
ALM	ZNF53	600 LEVEL STAIR 23
ALM	ZNF54	600 LEVEL STAIR 24
ALM	ZNF55	700 LEVEL NORTH EAST MECHANICAL ROOM ALARM
ALM	ZNF56	700 LEVEL NORTH EAST MECHANICAL ROOM FLOW
ALM	ZNF57	700 LEVEL MEETING ROOMS ALARM
ALM	ZNF58	700 LEVEL MEETING ROOMS FLOW
ALM	ZNF59	700 LEVEL PREFUNCTION SPACE ALARM
ALM	ZNF60	700 LEVEL PREFUNCTION SPACE FLOW
ALM	ZNF61	700 LEVEL MEETING ROOMS 2 ALARM
ALM	ZNF62	700 LEVEL MEETING ROOMS 2 FLOW
ALM	ZNF63	700 LEVEL MECHANICAL ROOM ALARM
ALM	ZNF64	700 LEVEL MECHANICAL ROOM FLOW
ALM	ZNF65	700 LEVEL TDHC PLANT ALARM
ALM	ZNF66	700 LEVEL TDHC PLANT FLOW
ALM	ZNF67	700 LEVEL SOUTH MECHANICAL ROOM ALARM
ALM	ZNF68	700 LEVEL SOUTH MECHANICAL ROOM FLOW
ALM	ZNF69	700 LEVEL TRUCK DOCK SUPPLY PLENUM ALARM
ALM	ZNF70	700 LEVEL TRUCK DOCK SUPPLY PLENUM FLOW
ALM	ZNF71	800 LEVEL KITCHEN ALARM
ALM	ZNF72	800 LEVEL KITCHEN FLOW
ALM	ZNF73	800 LEVEL NORTH LOADING DOCK ALARM
ALM	ZNF74	800 LEVEL NORTH LOADING DOCK FLOW
ALM	ZNF75	800 LEVEL SERVICE TUNNEL ALARM
ALM	ZNF76	800 LEVEL SERVICE TUNNEL FLOW
ALM	ZNF77	800 LEVEL MEETING ROOMS ALARM
ALM	ZNF78	800 LEVEL MEETING ROOMS FLOW
ALM	ZNF79	800 LEVEL MULTI-PURPOSE BALLROOM ALARM
ALM	ZNF80	800 LEVEL MULTI-PURPOSE BALLROOM FLOW
ALM	ZNF81	800 LEVEL PREFUNCTION AND SWING SPACE ALARM
ALM	ZNF82	800 LEVEL PREFUNCTION AND SWING SPACE FLOW
ALM	ZNF83	800 LEVEL MECHANICAL ROOM ALARM
ALM	ZNF84	800 LEVEL MECHANICAL ROOM FLOW
ALM	ZNF85	800 LEVEL EAST EXHIBIT HALL E ALARM
ALM	ZNF86	800 LEVEL EAST EXHIBIT HALL E FLOW
ALM	ZNF87	800 LEVEL WEST EXHIBIT HALL D ALARM
ALM	ZNF88	800 LEVEL WEST EXHIBIT HALL D FLOW
ALM	ZNF89	800 LEVEL EAST EXHIBIT HALL D ALARM
ALM	ZNF90	800 LEVEL EAST EXHIBIT HALL D FLOW
ALM	ZNF91	800 LEVEL WEST EXHIBIT HALL D ALARM
ALM	ZNF92	800 LEVEL WEST EXHIBIT HALL D FLOW
ALM	ZNF93	800 LEVEL MAIN TRUCK DOCK ALARM
ALM	ZNF94	800 LEVEL MAIN TRUCK DOCK FLOW
ALM	ZNF95	SOUTH MECH EL SBSTN PREACTION ALARM
ALM	ZNF96	SOUTH MECH FLOW
ALM	ZNF97	ELEV S9 SHAFT/PIT
ALM	ZNF98	ELEV S9 MACH ROOM
ALM	ZNF99	ELEV 11/12 SHAFT/PIT
ALM	ZNF100	ELEV 11/12 MACH ROOM
ALM	ZNF101	
ALM	ZNF102	
ALM	ZNF103	
ALM	ZNF104	

TYPE	REF	ZONE DESCRIPTION
SUPV	ZNF105	GENERATOR LOW FUEL
TBL	ZNF106	GENERATOR TROUBLE
SUPV	ZNF107	GENERATOR RUNNING
SUPV	ZNF108	GENERATOR O/A N OFF
SUPV	ZNF109	LOW BATTERY VOLTAGE GENERATOR
STATUS	ZNF110	LEVEL 800 ELEVATOR #1 STATUS
STATUS	ZNF111	LEVEL 800 ELEVATOR #2 STATUS
STATUS	ZNF112	LEVEL 800 ELEVATOR #3 STATUS
STATUS	ZNF113	LEVEL 800 ELEVATOR #4 STATUS
STATUS	ZNF114	LEVEL 800 ELEVATOR #5 STATUS
STATUS	ZNF115	GROUNDLEVEL 400 ELEVATOR #6 STATUS
STATUS	ZNF116	GROUNDLEVEL 400 ELEVATOR #7 STATUS
STATUS	ZNF117	LEVEL 800 ELEVATOR #10 STATUS
STATUS	ZNF118	FIRST STAGE ALARM SIGNAL TO BCS/BAS
STATUS	ZNF119	KITCHEN GOOD SYSTEM STATUS
STATUS	ZNF120	LIGHTING DIMMER SYSTEM STATUS
STATUS	ZNF121	ACKNOWLEDGE FAN SHUTDOWN ON ALARM
SUPV	ZNF122	INCOMING FIRELINE-1 LEVEL 800 NORTH MECH RM
SUPV	ZNF123	INCOMING FIRELINE-2 WATER ENTRY RM SOUTH
SUPV	ZNF124	STANDPIPE VALVE-3 LEVEL 800 EXHIBIT HALL E-S/E
SUPV	ZNF125	STANDPIPE VALVE-4 LEVEL 800 EXHIBIT HALL E-S/E
SUPV	ZNF126	STANDPIPE VALVE-5 LEVEL 800 EXHIBIT HALL E-S/E
SUPV	ZNF127	STANDPIPE VALVE-6 LEVEL 800 EXHIBIT HALL E-S/E
SUPV	ZNF128	STANDPIPE VALVE-7 LEVEL 800 EXHIBIT HALL E-S/E
SUPV	ZNF129	STANDPIPE VALVE-8 LEVEL 800 EXHIBIT HALL E-S/E
SUPV	ZNF130	STANDPIPE VALVE-9 LEVEL 800 EXHIBIT HALL E-S/E
SUPV	ZNF131	STANDPIPE VALVE-10 LEVEL 800 EXHIBIT HALL D-S/W
SUPV	ZNF132	STANDPIPE VALVE-11 LEVEL 800 EXHIBIT HALL D-S/W
SUPV	ZNF133	STANDPIPE VALVE-12 LEVEL 800 EXHIBIT HALL D-N/W
SUPV	ZNF134	STANDPIPE VALVE-13 LEVEL 800 EXHIBIT HALL D-N/W
SUPV	ZNF135	STANDPIPE VALVE-14 LEVEL 800 EXHIBIT HALL D-N/W
SUPV	ZNF136	STANDPIPE VALVE-15 LEVEL 800 EXHIBIT HALL D-N/W
SUPV	ZNF137	STANDPIPE VALVE-16 LEVEL 800 EXHIBIT HALL D-N/W
SUPV	ZNF138	STANDPIPE VALVE-17 LEVEL 800 EXHIBIT HALL D-N/W
SUPV	ZNF139	STANDPIPE VALVE-18 LEVEL 800 EXHIBIT HALL D-N/W
SUPV	ZNF140	STANDPIPE VALVE-19 LEVEL 800 EXHIBIT HALL D-N/W
SUPV	ZNF141	STANDPIPE VALVE-20 LEVEL 800 EXHIBIT HALL D-N/W
SUPV	ZNF142	STANDPIPE VALVE-21 LEVEL 800 EXHIBIT HALL D-N/E
SUPV	ZNF143	STANDPIPE VALVE-22 LEVEL 800 EXHIBIT HALL D-N/E
SUPV	ZNF144	STANDPIPE VALVE-23 LEVEL 700 PREFUNCTION AREA
SUPV	ZNF145	STANDPIPE VALVE-24 LEVEL 700 PREFUNCTION AREA
SUPV	ZNF146	STANDPIPE VALVE-25 LEVEL 700 PREFUNCTION AREA
SUPV	ZNF147	STANDPIPE VALVE-26 LEVEL 700 PREFUNCTION AREA
SUPV	ZNF148	STANDPIPE VALVE-27 LEVEL 600 REGISTRATION AREA
SUPV	ZNF149	STANDPIPE VALVE-28 LEVEL 600 BALLROOM AREA
SUPV	ZNF150	STANDPIPE VALVE-29 LEVEL 600 NORTH MECH RM
SUPV	ZNF151	STANDPIPE VALVE-30 LEVEL 600 NORTH MECH RM
SUPV	ZNF152	STANDPIPE VALVE-31 LEVEL 600 NORTH MECH RM
SUPV	ZNF153	SPRINKLER VALVE-32 LEVEL 600 NORTH VALVE HEADER
SUPV	ZNF154	SPRINKLER VALVE-33 LEVEL 600 NORTH EDGE CTRL VALVE
SUPV	ZNF155	SPRINKLER VALVE-34 GROUND N EDGE ENTRANCE
SUPV	ZNF156	SPRINKLER VALVE-35 GROUND N EDGE COMMERCIAL
SUPV	ZNF157	SPRINKLER VALVE-36 MEZZ LVL N EDGE COMMERCIAL
SUPV	ZNF158	SPRINKLER VALVE-37 LEVEL 500 N EDGE SKYWALK
SUPV	ZNF159	SPRINKLER VALVE-38 LEVEL 400 N EDGE
SUPV	ZNF160	SPRINKLER VALVE-39 LEVEL 800 KITCHEN CTRL VALVE

TYPE	REF	ZONE DESCRIPTION
SUPV	ZNF161	SPRINKLER VALVE-40 LEVEL 800 KITCHEN
SUPV	ZNF162	SPRINKLER VALVE-41 LEVEL 800 SERVICE TUNNEL
SUPV	ZNF163	SPRINKLER VALVE-42 LEVEL 800 MECH RM CTRL
SUPV	ZNF164	SPRINKLER VALVE-43 LEVEL 800 MECH RM
SUPV	ZNF165	SPRINKLER VALVE-44 LEVEL 700 MECH RM
SUPV	ZNF166	SPRINKLER HEADER-45 LEVEL 800 KITCHEN DOCK
SUPV	ZNF167	SPRINKLER HEADER-46 LEVEL 600 PREFUNCTION CTRL
SUPV	ZNF168	SPRINKLER VALVE-47 LEVEL 600 REGISTRATION
SUPV	ZNF169	SPRINKLER VALVE-48 LEVEL 700 PREFUNCTION
SUPV	ZNF170	SPRINKLER VALVE-49 LEVEL 800 PREFUNCTION
SUPV	ZNF171	SPRINKLER VALVE-50 LEVEL 800 BALLROOM
SUPV	ZNF172	FIRELINE-51 LEVEL 700 WEST VALVE HEADER
SUPV	ZNF173	SPRINKLER VALVE-52 LEVEL 700 MEETING RMS CTRL
SUPV	ZNF174	SPRINKLER VALVE-53 LEVEL 700 MECH RM
SUPV	ZNF175	SPRINKLER VALVE-54 LEVEL 700 WEST MEETING RM
SUPV	ZNF176	SPRINKLER VALVE-55 LEVEL 700 MECH RM
SUPV	ZNF177	SPRINKLER HEADER-56 LEVEL 700 PREFUNCTION CTRL
SUPV	ZNF178	SPRINKLER VALVE-57 LEVEL 700 ADMINISTRATION
SUPV	ZNF179	SPRINKLER VALVE-58 LEVEL 700 PREFUNCTION RM
SUPV	ZNF180	SPRINKLER VALVE-59 LEVEL 800 PREFUNC AND SWING
SUPV	ZNF181	SPRINKLER VALVE-60 LEVEL 800 EXHIBIT HALL D
SUPV	ZNF182	SPRINKLER VALVE-61 LEVEL 800 EXHIBIT HALL D
SUPV	ZNF183	FIRELINE-62 LEVEL 700 SOUTH VALVE HEADER
SUPV	ZNF184	SPRINKLER VALVE-63 LEVEL 700 CORR EXIT LAKESHORE
SUPV	ZNF185	SPRINKLER HEADER-64 LEVEL 700 MECH RM CTRL
SUPV	ZNF186	SPRINKLER VALVE-65 LEVEL 700 MECHANICAL ROOM
SUPV	ZNF187	SPRINKLER VALVE-66 LEVEL 700 TDHC MECH RM
SUPV	ZNF188	SPRINKLER VALVE-67 LEVEL 800 EXHIBIT HALL E
SUPV	ZNF189	SPRINKLER VALVE-68 LEVEL 800 EXHIBIT HALL E
SUPV	ZNF190	SPRINKLER VALVE-69 LEVEL 800 TRUCK RAMP DRY SYS
SUPV	ZNF191	SPRINKLER VALVE-70 LEVEL 800 SOUTH LOAD DOCK DRY SYS
SUPV	ZNF192	SPRINKLER VALVE-71 LEVEL 600 PARKING WEST DRY SYS
SUPV	ZNF193	SPRINKLER VALVE-72 LEVEL 600 PARKING WEST DRY SYS
SUPV	ZNF194	SPRINKLER VALVE-73 LEVEL 600 PARKING EAST DRY SYS
SUPV	ZNF195	SPRINKLER VALVE-74 LEVEL 600 PARKING EAST DRY SYS
SUPV	ZNF196	SPRINKLER VALVE-75 LEVEL 600 S WATER METER RM
SUPV	ZNF197	SPRINKLER VALVE-76 LEVEL 600 TRUCK ELEV DRY SYS
SUPV	ZNF198	SPRINKLER VALVE-77 LEVEL 800 KITCHEN
SUPV	ZNF199	SPRINKLER VALVE-78 LEVEL 800-700 TDHC WELLS DRY SYS
SUPV	ZNF200	SPRINKLER VALVE-79 LEVEL 700 TRUCK DOCK SUPPLY PLENUM DRY SYS
ALM	ZNF201	SOUTH MECH EL SBSTN PREACTION ALM
TBL	ZNF202	SOUTH MECH EL SBSTN PREACTION TBL
SUPV	ZNF203	SOUTH MECH EL SBSTN PREACTION SUPV
SUPV	ZNF204	SV-101 LEVEL 800 EXH HALL D NW
SUPV	ZNF205	SV-102 LEVEL 700 COFFEE RM
ZNF206		
ALM	ZNF207	PATH WINDOW FLOW
SUPV	ZNF208	PATH WINDOW SV
ALM	ZNF209	ELEV S9 SHAFT/PIT
ALM	ZNF210	ELEV S9 MACH ROOM
ALM	ZNF211	ELEV 11/12 SHAFT/PIT
ALM	ZNF212	ELEV 11/12 MACH ROOM
ALM	ZNF213	LEVEL 500 ELEV 11/12 LOBBY
ALM	ZNF214	RED ALARM 00 VL ALARM 01 GRN NO BYPASS
SUPV	ZNF159	SPRINKLER VALVE-38 LEVEL 400 N EDGE
SUPV	ZNF216	C/O FOR ENWAVE ACTV

THE DRAWING AND DESIGN HEREIN SHALL NOT BE DUPLICATED, USED OR DISCLOSED TO OTHERS FOR PROCUREMENT OR OTHER PURPOSES EXCEPT AS OTHERWISE AUTHORIZED BY CONTRACT WITHOUT WRITTEN PERMISSION OF SIEMENS INDUSTRY, INC. FIRE SAFETY DIVISION. ALL OTHER REPRODUCTIONS SHALL BEAR THIS NOTICE.

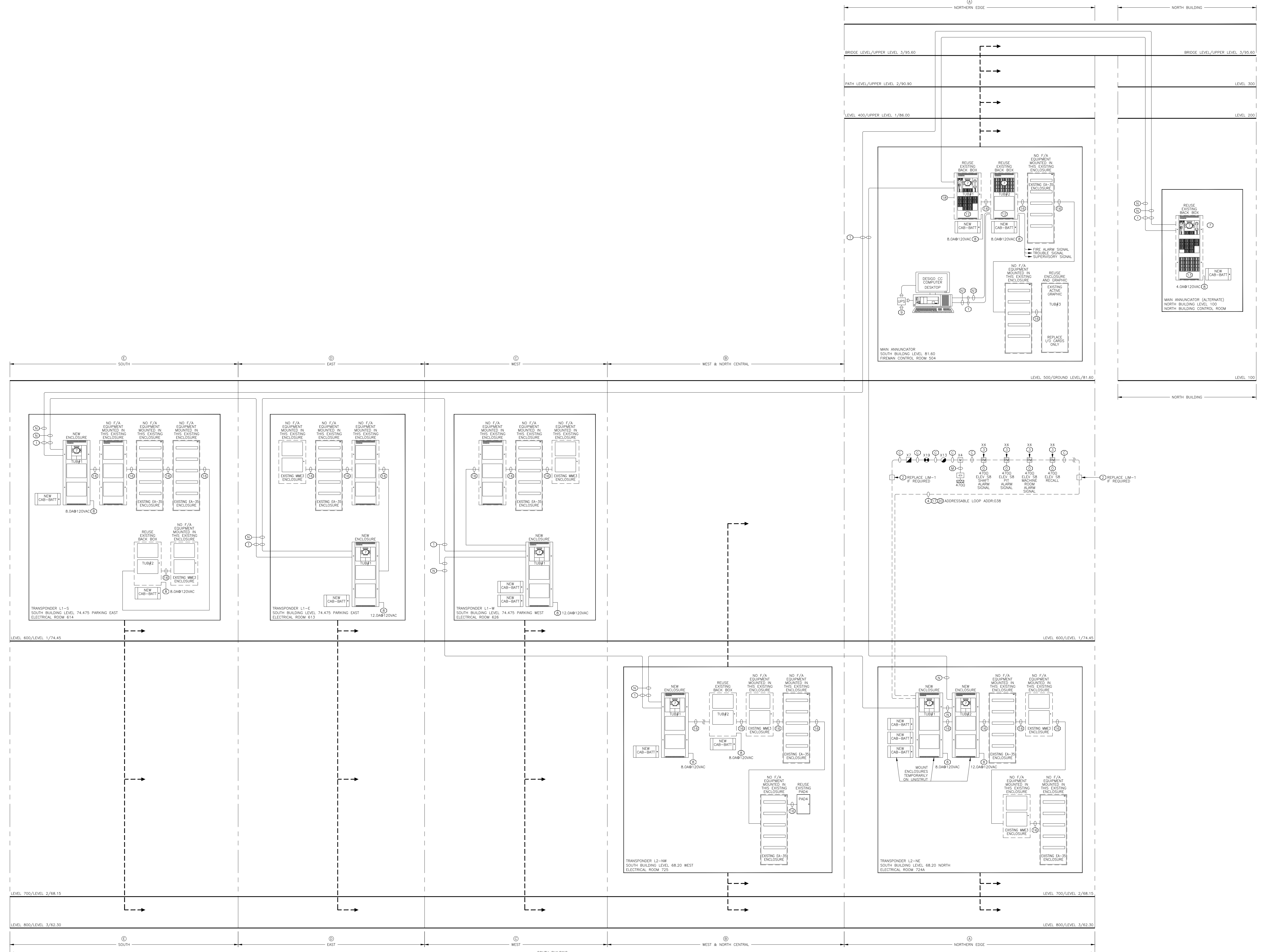
REVISIONS			
No.	Revision	By	Date

PAGE ZN	PAGE ZONE DESCRIPTION
PAGE ZNF1	ALL CALL PAGING
PAGE ZNF2	ALL EVAC SIGNAL
PAGE ZNF3	ALL ALERT SIGNAL
PAGE ZNF4	ALL OTHER FOR DDU
PAGE ZNF5	BRIDGE LEVEL SPEAKER
PAGE ZNF6	PATH LEVEL
PAGE ZNF7	400 LEVEL
PAGE ZNF8	500 LEVEL
PAGE ZNF9	600 LEVEL
PAGE ZNF10	700 LEVEL
PAGE ZNF11	800 LEVEL
PAGE ZNF12	PARKING LEVEL
PAGE ZNF13	STAIR 1
PAGE ZNF14	STAIR 2
PAGE ZNF15	STAIR 3
PAGE ZNF16	STAIR 4
PAGE ZNF17	STAIR 5
PAGE ZNF18	STAIR 6
PAGE ZNF19	STAIR 7
PAGE ZNF20	STAIR 8
PAGE ZNF21	STAIR 9
PAGE ZNF22	STAIR 10
PAGE ZNF23	STAIR 11
PAGE ZNF24	STAIR 12
PAGE ZNF25	STAIR 13
PAGE ZNF26	STAIR 14
PAGE ZNF27	STAIR 15
PAGE ZNF28	STAIR 16
PAGE ZNF29	STAIR 17
PAGE ZNF30	STAIR 18
PAGE ZNF31	STAIR 19
PAGE ZNF32	STAIR 20
PAGE ZNF33	STAIR 21
PAGE ZNF34	STAIR 22
PAGE ZNF35	STAIR 23
PAGE ZNF36	STAIR 24
PAGE ZNF37	
PAGE ZNF38	
PAGE ZNF39	
PAGE ZNF40	

TEL SWITCH	TEL SWITCH DESCRIPTION
TEL SW#1	LEVEL 800 KITCHEN
TEL SW#2	LEVEL 800 LOADING DOCK
TEL SW#3	LEVEL 800 PREFUNCTION SPACE SOUTH SWING SPACE MEETING
TEL SW#4	LEVEL 800 PREFUNCTION SPACE SOUTH SWING SPACE MEETING
TEL SW#5	LEVEL 800 PREFUNCTION SPACE EAST
TEL SW#6	LEVEL 800 MEETING ROOMS
TEL SW#7	LEVEL 800 MECH AND HIGH VOLTAGE
TEL SW#8	LEVEL 800 BALLROOM NORTH
TEL SW#9	WEST BALLROOM
TEL SW#10	EAST BALLROOM
TEL SW#11	WEST EXHIBIT HALL D
TEL SW#12	SOUTH EAST EXHIBIT HALL D
TEL SW#13	NORTH EAST EXHIBIT HALL D
TEL SW#14	NORTH WEST EXHIBIT HALL E
TEL SW#15	SOUTH WEST EXHIBIT HALL E
TEL SW#16	NORTH EAST EXHIBIT HALL E
TEL SW#17	SOUTH EAST EXHIBIT HALL E
TEL SW#18	LEVEL 700 MEETING ROOMS WEST
TEL SW#19	LEVEL 700 PREFUNCTION SPACE SOUTH MEETING ROOMS
TEL SW#20	LEVEL 700 PREFUNCTION SPACE SOUTH MEETING ROOMS
TEL SW#21	LEVEL 700 PREFUNCTION SPACE
TEL SW#22	LEVEL 700 MEETING ROOMS NORTH
TEL SW#23	LEVEL 700 MECHANICAL ROOM EAST
TEL SW#24	LEVEL 700 STAIR 21
TEL SW#25	LEVEL 700 MECHANICAL ROOM SOUTH
TEL SW#26	TDHC
TEL SW#27	LEVEL 600 ADMIN AREA/MEETING ROOM
TEL SW#28	LEVEL 600 STAIR 12 MECHANICAL ROOM
TEL SW#29	LEVEL 600 REGISTRATION AREA MAIN ELECTRICAL RM
TEL SW#30	PARKING LEVEL WEST
TEL SW#31	PARKING LEVEL CENTRE
TEL SW#32	PARKING LEVEL STAIR 9
TEL SW#33	PARKING LEVEL NORTH EAST
TEL SW#34	PARKING LEVEL STAIR 22
TEL SW#35	PARKING LEVEL STAIR 21
TEL SW#36	PARKING LEVEL SOUTH EST EXIT
TEL SW#37	TUNNEL
TEL SW#38	LEVEL 800 SOUTH RECEIVING
TEL SW#39	EXHIBIT HALL D STAIR 23
TEL SW#40	PARKING LEVEL SOUTH EAST CORRIDOR
TEL SW#41	PARKING LEVEL TOP OF RAMP
TEL SW#42	500 LEVEL
TEL SW#43	400 LEVEL
TEL SW#44	PATH LEVEL
TEL SW#45	BRIDGE LEVEL
TEL SW#46	BRIDGE
TEL SW#47	
TEL SW#48	

ON-OFF-AUTO SW#	ON-OFF-AUTO SWITCH DESCRIPTION
SWITCH#1	500 LEVEL GROUND COMMERCIAL AREA ZONE 24
SWITCH#2	500 LEVEL ELEVATOR LOBBY ZONE 17
SWITCH#3	500 LEVEL BRIDGE TO EXISTING MTCO ZONE 18
SWITCH#4	500 LEVEL PUBLIC ENTRY AREA ZONE 6
SWITCH#5	600 LEVEL NORTH REGISTRATION ZONE 7
SWITCH#6	600 LEVEL SOUTH REGISTRATION ENTRY PREFUNCTION ZONE 12
SWITCH#7	600 LEVEL ADMINISTRATION ZONE 15
SWITCH#8	600 LEVEL GARAGE PARKING AREA ZONE 23
SWITCH#9	700 LEVEL MEETING ROOMS ZONE 3
SWITCH#10	700 LEVEL MEETING ROOMS ZONE 4
SWITCH#11	700 LEVEL PREFUNCTION NORTH ZONE 8
SWITCH#12	700 LEVEL PREFUNCTION WEST ZONE 9
SWITCH#13	800 LEVEL MAIN TRUCK DOCK ZONE 21
SWITCH#14	800 LEVEL EXHIBIT HALL D ZONE 1

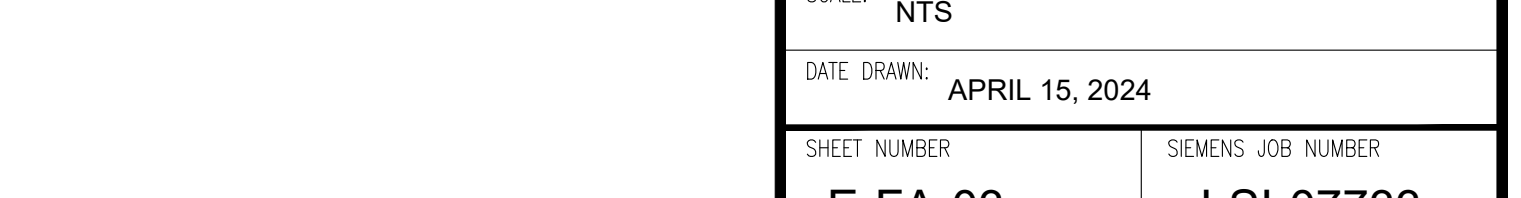
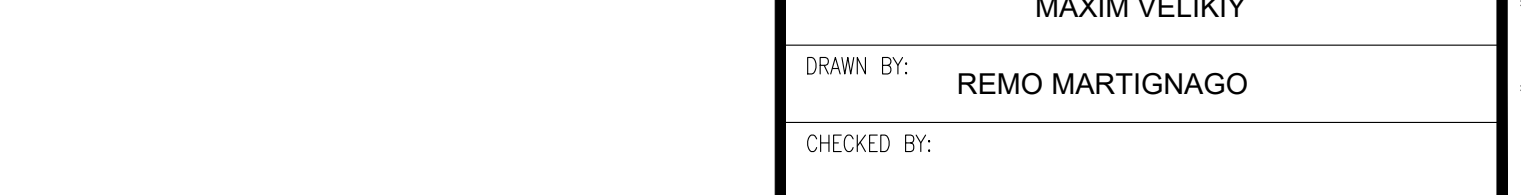
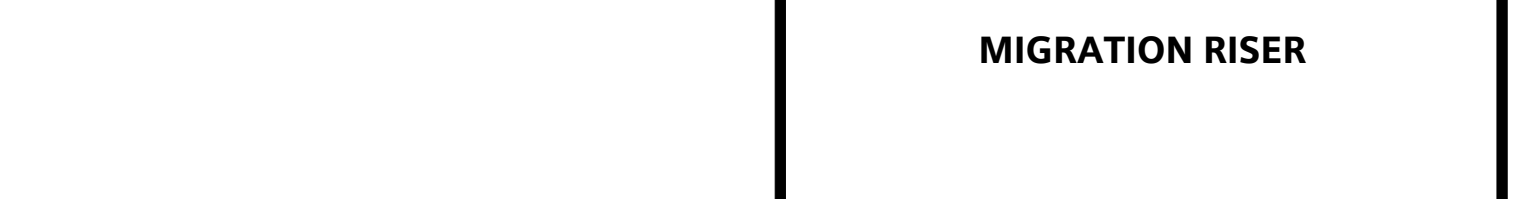
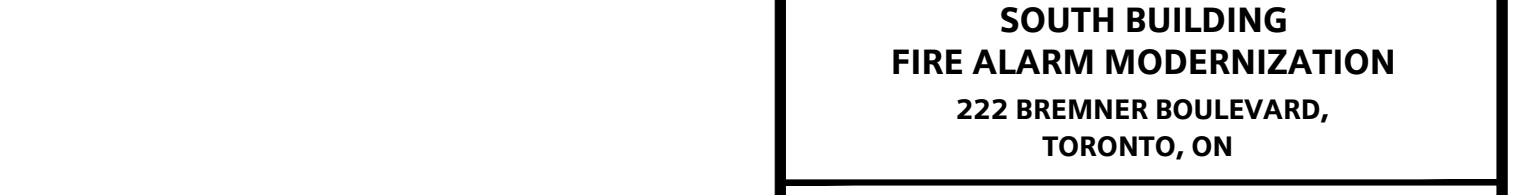
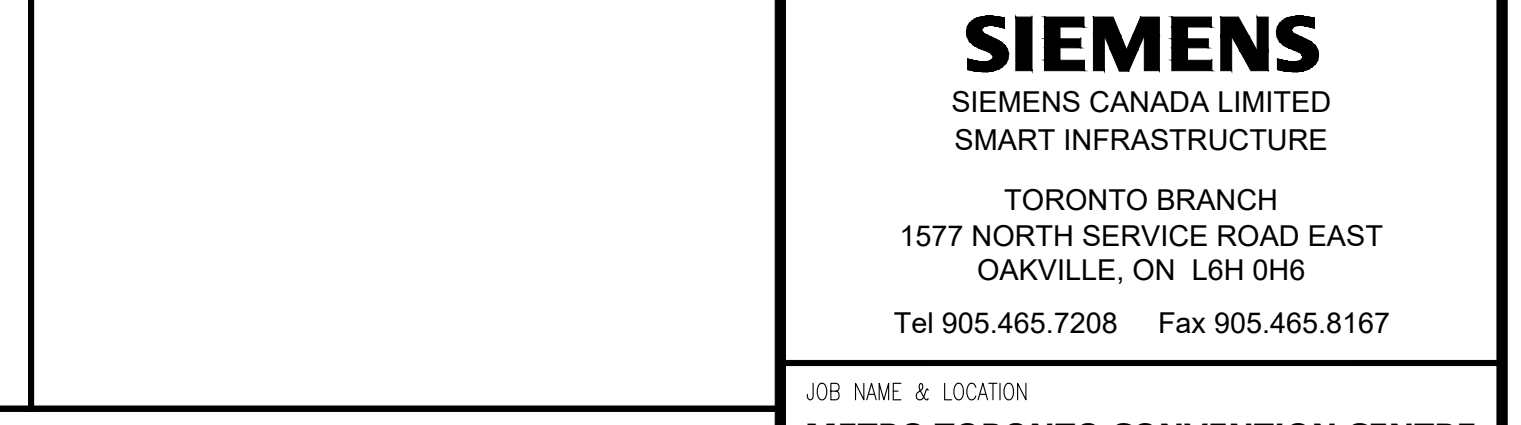
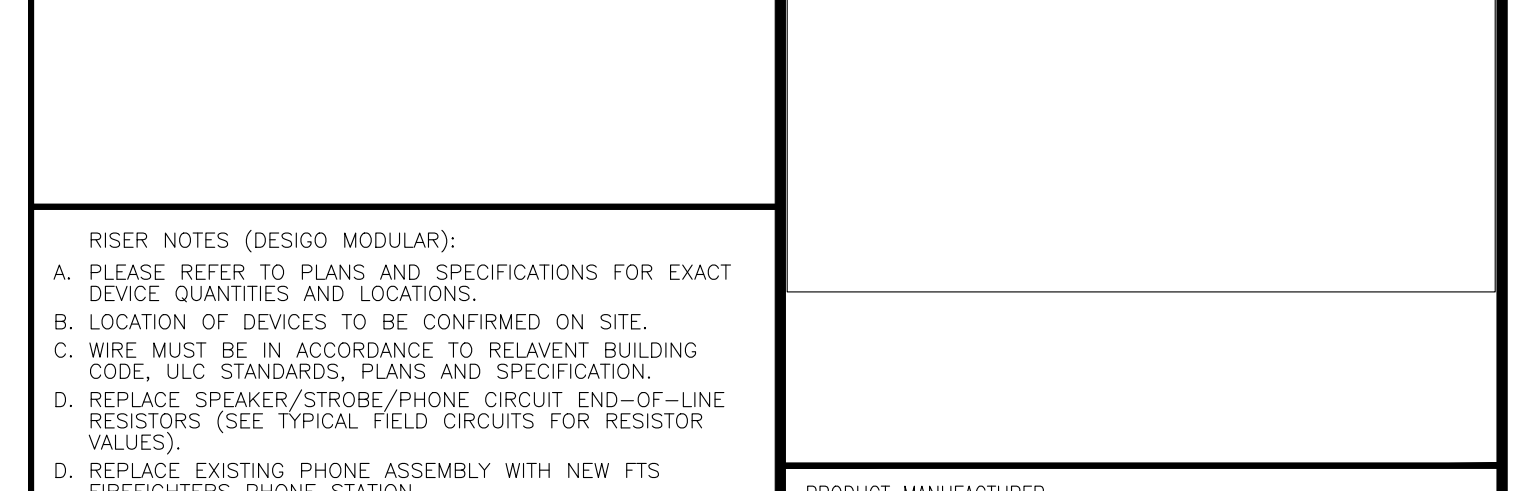
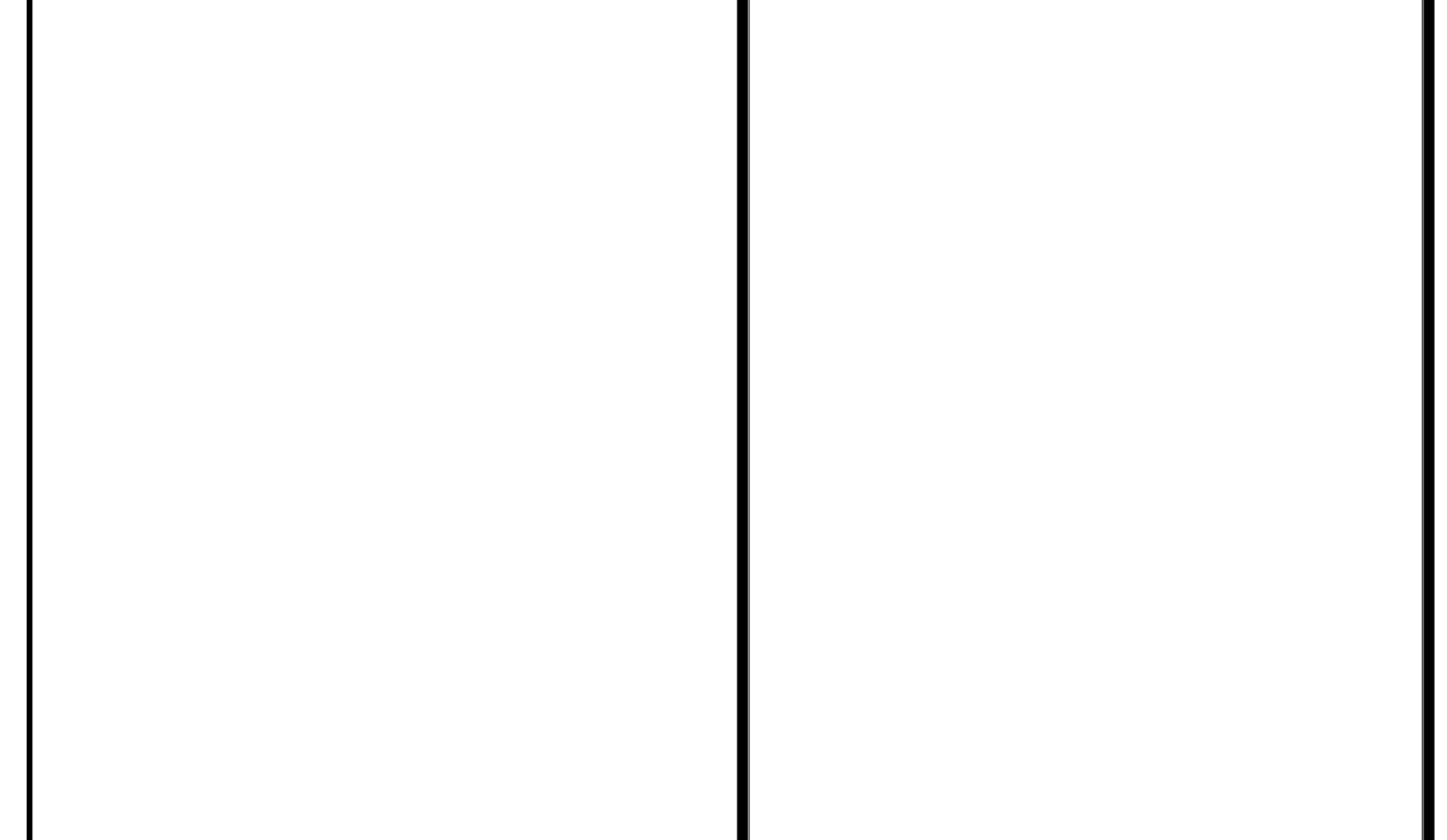
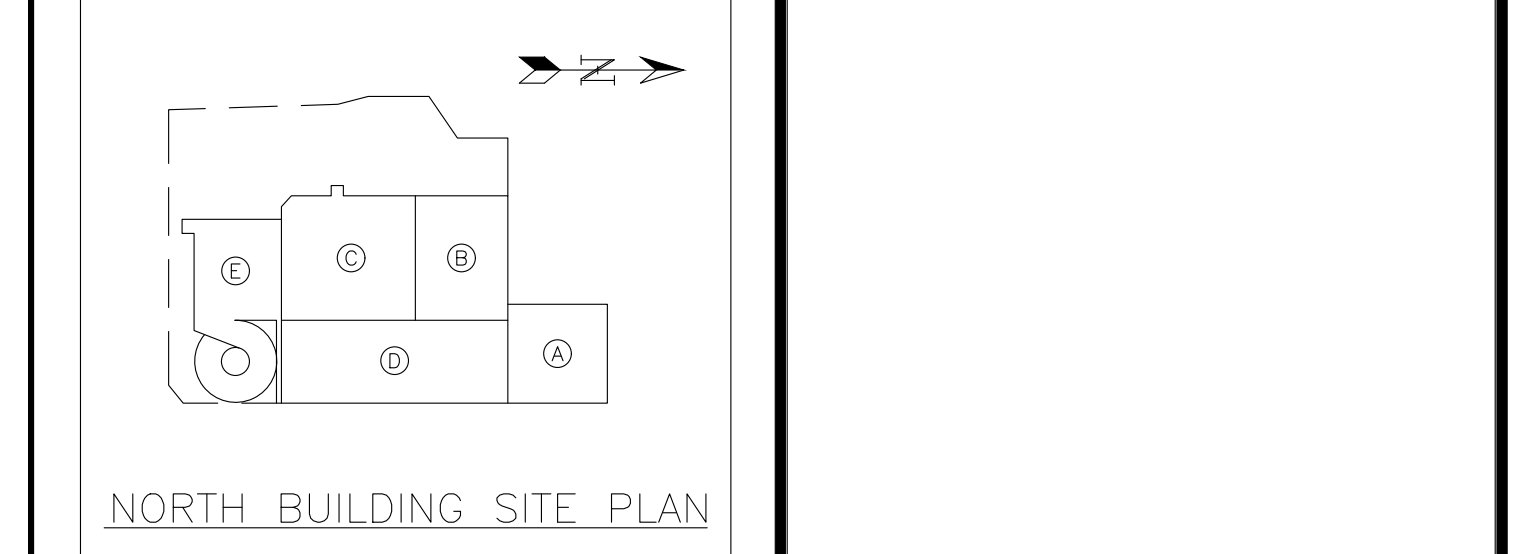




FIRE ALARM MIGRATION RISER

- RISER NOTES (DESIGO MODULAR)**
- PRIMARY RETURN (CLASS 'A' LOOPS) MUST BE RUN IN SEPARATE CONDUIT IN CLASS 'A' CONDUIT. DATA COMMUNICATION LINK STYLE A AND DATA COMMUNICATION LINK STYLE C WIRING, THE PRIMARY WIRING CIRCUIT AND THE ALTERNATE WIRING CIRCUIT SHALL BE INSTALLED IN SEPARATE RECESSED OR CABLE ASSEMBLIES. THE CABLES MUST BE INSTALLED VERTICALLY AND HAVING A MINIMUM SEPARATION OF 300MM WHERE THE CABLES ARE INSTALLED VERTICALLY AND HORIZONTAL.
  - DEVICES WITH BUILT-IN DUAL ISOLATORS SHALL BE MOUNTED IN ACCORDANCE WITH THE REQUIREMENTS OF THE BUILDING CODE WITH THE REQUIREMENTS OF ENTERING (FIRST DEVICE) AND LEAVING (LAST DEVICE) EACH FIRE ALARM ZONE SHALL BE MARKED. XTRI-S MODULE WIRED AS AN ISOLATOR REQUIRED IF LAST ZONE LEAVING OR FIRST DEVICE. XTRI-S MODULES DO NOT HAVE BUILT-IN ISOLATION. ALL ISOLATORS SHALL BE INSTALLED SO AS TO BE VISIBLE AND ACCESSIBLE AT ALL TIMES. SEE INSTALLATION MANUAL FOR WIRING DEVICE AS AN ISOLATOR.
  - MOUNT WITHIN 3 FEET OF CONTROL DEVICE.
  - REUSE EXISTING FIELD CIRCUIT WIRING.
  - FINAL LOCATIONS OF ALL CABINETS (E. CONTROL PANELS, TRANSFORMERS, ANNUNCIATORS, GRAPHICS AND ETC.) SHALL BE DETERMINED ON SITE.
  - ANNULAR CIRCUITS GREATER THAN 30V ARE NOT ALLOWED WITHIN THE CONTROL PANEL.
  - VISUAL DISPLAYS & OPERATING CONTROLS SHALL NOT BE LESS THAN 800MM AND NOT MORE THAN 1800MM ABOVE FINISHED FLOOR LEVEL.
  - EXISTING 120VAC EMERGENCY POWER CONNECT TO NEW POWER SUPPLY.
  - 120VAC POWER FOR CAB, CAB2 OR CAB3 ENCLOSURES, ENSURE 120VAC POWER WIRING ENTERS THE CABINET THROUGH THE 1/2" KNOCKOUT LOCATED AT THE BOTTOM RIGHT SIDE OF THE CABINET.
  - DO NOT INSTALL CONDUIT AT THE BOTTOM OF THE CABINET IF BATTERIES ARE INSTALLED WITHIN THE CABINET. CAB1/CAB2/CAB3 TYPE ONLY.
  - N/A
  - MMES-ADPT ADAPTOR KIT. REUSE EXISTING BACK BOX.
  - MMES-ADPT ADAPTOR KIT. REUSE EXISTING BACK BOX.
  - PLEASE NOTE THAT NEW FIREFIGHTERS PHONE STATION FTS TO BE INSTALLED IN EXISTING BOX/COCKET.
  - REPLACE EXISTING FIELD CIRCUIT END-OF-LINE RESISTORS.
  - CONTRACTOR SHALL EXTEND EXISTING CIRCUITS AS NECESSARY FROM EXISTING FIRE ALARM EQUIPMENT TO NEW FIRE ALARM EQUIPMENT BETWEEN TUBES.
  - A SINGLE ADDRESSABLE LOOP SHALL BE TRANSFERRED OVER TO A NEW FIRE ALARM ADDRESSABLE LOOP. WIRING SHALL BE REUSED. ADDRESSABLE DEVICES (MAX. 40) SHALL BE REPLACED WITH NEW XTRI-S AND MODULES TO BE INSTALLED WITHIN THE MAIN ANNUNCIATOR IN FIREMAN CONTROL ROOM 504.
  - CONTACT SIEMENS IMMEDIATELY IF SYNCHRONIZATION IS REQUIRED IN AREAS WHERE VISIBLE SIGNAL DEVICES OR STROBES IN THE SAME FIELD OF VIEW ARE SERVED BY MULTIPLE TRANSFORMERS OR NETWORK FIRE ALARM CONTROL PANELS.
  - ADDRESSABLE LOOP ADDR038. REPLACE EXISTING ADDRESSABLE FIELD DEVICES WITH NEW X-SERIES FIELD DEVICES.

- REVISIONS**
- | No. | Revision | By | Date |
|-----|----------|----|------|
|     |          |    |      |
- DEVICE LEGEND:**
- INTELLIGENT TWO STAGE MANUAL STATION HMS-2S WITH MEGALOX RELEASE AND CONTACT SEMI-FLUSH 4" BOX WITH 1" PLASTER RING BY OTHERS
  - INTELLIGENT PHOTO/THERMAL DETECTOR FDT0441 4" SQUARE 1-1/2" DEEP BOX BY OTHERS
  - INTELLIGENT THERMAL DETECTOR FDT421 FIXED TEMP. 57C/130F & RATE OF RISE: 8C/15F PER MIN. 4" SQUARE 1-1/2" DEEP BOX BY OTHERS
  - INTELLIGENT SINGLE INPUT MODULE XTRI-S BUILT-IN DUAL ISOLATORS. ALLOWS UP TO 150 ISOLATORS PER LOOP/30 DEVICES BETWEEN ISOLATORS COMES WITH COVER PLATE. 4" SQUARE 2-1/4" DEEP BOX BY OTHERS
  - INTELLIGENT SINGLE INPUT MODULE XTRI-S MAXIMUM MONITOR CCT LENGTH IS 200FT (61M) COMES WITH COVER PLATE. 4" SQUARE 2-1/4" DEEP BOX BY OTHERS
  - FIREFIGHTERS PHONE STATION FTS REPLACE EXISTING PHONE ASSEMBLY W/ NEW FTS REUSE EXISTING BACK BOX & DOOR
- NEW  
- - - - - EXISTING



**MXL TO DESIGO MODULAR MIGRATION - END-OF-LINE RESISTOR REPLACEMENT VALUES**

DESIGO MODULAR FIELD MOUNT MODULES	MODEL	E.O.L. VALUE	E.O.L. VALUE	MODEL	MXL FIELD MOUNT MODULES
INTELLIGENT SINGLE INPUT MODULE (1 CCT)	XTR-S	4750	4800	TR-S	INTELLIGENT SINGLE INPUT MODULE TR-S
INTELLIGENT DUAL INPUT MODULE (2 CCTS)	XTR-D	4750	4800	TR-D	INTELLIGENT DUAL INPUT MODULE TR-S
INTELLIGENT INPUT/RELAY MODULE (1 CCT)	XTR-R	4750	4800	TR-R	INTELLIGENT SINGLE INPUT W/RELAY MODULE TR-R

TABLE ABOVE APPLIES TO FIELD DEVICE REPLACEMENT FOR ADDRESSABLE LOOP ADDR038 ONLY. EXISTING END-OF-LINE RESISTORS WIRED TO OR ASSOCIATED WITH MLC CARDS SHALL BE REVISED AND SHALL NOT BE REPLACED.

**MXL TO DESIGO MODULAR MIGRATION - END-OF-LINE RESISTOR REPLACEMENT VALUES**

DESIGO MODULAR PANEL MOUNT CARDS	MODEL	E.O.L. VALUE	E.O.L. VALUE	MODEL	MXL PANEL MOUNT CARDS
ZONE INDICATING CARDS	ZIC-4A/9B	24K	2.2K	MMR	MAIN CONTROL BOARD 2 NAC CCTS CLASS A/B (1.5A)
8 CLASS B CCTS FOR TELEPHONES	ZIC-8B	10K	10K	ZIC-8B	8 CLASS B TELEPHONES CCTS
8 CLASS B CIRCUITS	ZIC-8B	24K (24VDC)	24K	ZIC-8B	8 STROBE CCTS CLASS B NON-CODED CARD (1.8A PER CCT/14.4A PER CARD)
USE 40W ZONE AMPLIFIER CARD (SEE BELOW)	ZAC-40	USE ZAC-40	24K/3.7K	ZC3-8AB	4 TRIPLE-CHANNEL SPEAKER CCTS CLASS A/B ALIQUO (MAX. 45W-25V RMS PER CCT)
40W ZONE AMPLIFIER CARD (2 CLASS B CCTS)	ZAC-40	68K	47K	EL-410D	BULK AMPLIFIER - 100W TOTAL OUTPUT @25V RMS CLASS B
CONTROLABLE RELAY CARD (6 SPDT RELAYS)	CRG-6	N/A	N/A	CRM-4	4 SPDT RELAYS (2.0A@30VDC/120VAC)

TABLE ABOVE APPLIES TO ALL CIRCUITS.

**MXL TO DESIGO MODULAR MIGRATION - FIELD DEVICE REPLACEMENT**

DESIGO MODULAR FIELD DEVICE	MODEL	MODEL	MXL FIELD DEVICE
DESIGO MODULAR/SLS DEVICE DESCRIPTION	MODEL	MODEL	MXL DEVICE DESCRIPTION
INTELLIGENT PHOTO/THERMAL DETECTOR	FDT0441	FP-11C	INTELLIGENT ADDRESSABLE FIRE DETECTOR
INTELLIGENT PHOTO/THERMAL DETECTOR	FDT0441	UI-1	INTELLIGENT IONIZATION SMOKE DETECTOR
INTELLIGENT PHOTO/THERMAL DETECTOR	FDT0441	ID-60	INTELLIGENT IONIZATION SMOKE DETECTOR
INTELLIGENT PHOTO/THERMAL DETECTOR	FDT0441	ID-60B	INTELLIGENT IONIZATION SMOKE DETECTOR
INTELLIGENT THERMAL DETECTOR	FDT421	FTF-11C	INTELLIGENT THERMAL DETECTOR
INTELLIGENT THERMAL DETECTOR	FDT421	ID-60T	1 MONITOR CIRCUIT
INTELLIGENT SINGLE INPUT MODULE	XTRI-S	TR-S	INTELLIGENT SINGLE INPUT MODULE
INTELLIGENT INPUT/RELAY MODULE	XTRI-R	TR-R	INTELLIGENT SINGLE INPUT W/RELAY MODULE
NO REPLACEMENT REQUIRED REMOVE LIM-1	LIM-1	LIM-1	LINE ISOLATOR MODULE

TABLE ABOVE APPLIES TO FIELD DEVICE REPLACEMENT FOR ADDRESSABLE LOOP ADDR038 ONLY.

- RISER WIRING (ONE HOUR FIRE RATING) 4 PAIR - SEE BELOW FOR DETAILS**
- DESIGO MODULAR NETWORK (COPPER) COMMUNICATION CIRCUIT (NIC-XNET) WIRING:  
 1-PR #18AWG TWISTED UNSHEATHED (SEPARATE JACKETED PAIR).  
 MINIMUM 5 TWISTS PER FEET.  
 MAXIMUM 3.500FT (106M) BETWEEN NODES.  
 LINE RESISTANCE IS MAX. 78.4Ω (0.22AWG) (ALL WIRES).  
 UNSHEATHED TWISTED PAIR MAXIMUM 0.3UF LINE TO LINE.  
 SHIELDED TWISTED PAIR MAXIMUM 0.3UF LINE TO LINE.  
 0.4UF LINE TO SHIELD.

- AND BAGNET (DNT) RISER WIRING:**  
 2-PR #18AWG TWISTED UNSHEATHED (SEPARATE JACKETED PAIR).  
 LINE RESISTANCE IS MAX. 80Ω (0.22AWG) (ALL WIRES).  
 UNSHEATHED TWISTED PAIR MAXIMUM 0.3UF LINE TO LINE.  
 SHIELDED TWISTED PAIR MAXIMUM 0.3UF LINE TO LINE.  
 0.4UF LINE TO SHIELD.
- AND TELEPHONE RISER WIRING:**  
 1-PR #18AWG TWISTED UNSHEATHED (SEPARATE JACKETED PAIR).  
 MAXIMUM 3.500FT (106M) BETWEEN NODES.  
 LINE RESISTANCE IS MAX. 100Ω (ALL WIRES).  
 UNSHEATHED TWISTED PAIR MAXIMUM 0.3UF LINE TO LINE.  
 SHIELDED TWISTED PAIR MAXIMUM 0.3UF LINE TO LINE.  
 0.4UF LINE TO SHIELD.

- DESIGO MODULAR NETWORK (COPPER) COMMUNICATION CIRCUIT (NIC-XNET) WIRING:**  
 1-PR #18AWG TWISTED UNSHEATHED (SEPARATE JACKETED PAIR).  
 MINIMUM 5 TWISTS PER FEET.  
 MAXIMUM 3.500FT (106M) BETWEEN NODES.  
 LINE RESISTANCE IS MAX. 78.4Ω (0.22AWG) (ALL WIRES).  
 UNSHEATHED TWISTED PAIR MAXIMUM 0.3UF LINE TO LINE.  
 SHIELDED TWISTED PAIR MAXIMUM 0.3UF LINE TO LINE.  
 0.4UF LINE TO SHIELD.

- ADDRESSABLE COMMUNICATION WIRING (P-2 BUS):**  
 FOUR CLASS A (10CL) CIRCUITS PER NODE CARD:  
 1-PR #18AWG TWISTED (SEPARATE JACKETED PAIR).  
 ON A FULLY LOADED P-2 LOOP (252 ADDRESSES).  
 MAX. CAPACITANCE (LINE TO LINE) = 0.5UF.  
 MAXIMUM 0.5UF LINE TO LINE AND 1.0UF LINE TO GROUND.

- MONITOR CIRCUIT WIRING FOR XTR-S/XTR-D/XTR-R/FDT0442:**  
 1-PR #18AWG TWISTED (SEPARATE JACKETED PAIR).  
 MAX. CAPACITANCE (LINE TO LINE) = 0.5UF TWISTED PAIR.  
 MAX. CAPACITANCE (LINE TO EARTH) = 0.04UF TWISTED PAIR.  
 MAX. WIRE DISTANCE (0.90UF/FT LINE TO LINE) = 200FT (61M).

- RELAY OUTPUT WIRING:**  
 WIRING AS REQUIRED:  
 XTR-R/FDT0422 RELAY CONTACTS ARE RATED:  
 RESISTIVE: 4.0A @125VAC @50VDC  
 INDUCTIVE: 1.5A @120VAC @50VDC  
 CAPACITIVE: 3.0A @50VDC @50VDC  
 2.0A @120VAC @50VDC  
 2.0A @120VAC @50VDC (0.35UF)

**WIRING NOTES (DESIGO MODULAR)**



THIS DRAWING AND DESIGN HEREIN SHALL NOT BE DUPLICATED, USED OR DISCLOSED TO OTHERS FOR PROCUREMENT OR OTHER PURPOSES (EXCEPT AS OTHERWISE AUTHORIZED BY CONTRACT) WITHOUT WRITTEN PERMISSION OF SIEMENS INDUSTRY, INC. THE FIRE SAFETY DIVISION. ALL OTHER REPRODUCTIONS SHALL BEAR THIS NOTICE.

REVISIONS

Table with 4 columns: No., Revision, By, Date

Design Modular Battery Calculations

Project Information table including Project Name, Project Location, and Power Supply.

Main battery calculation table with columns: Module, Device, Description, Qty, Power Calculations, and Battery Calculations.

Power Supply Limits table with columns: Max. Power, Max. Current, Max. Voltage.

Battery Calculation summary table with columns: New Capacity (Ah), New Alarm (Days).

Approved Battery Capacity table with columns: Approved Capacity (Ah), Battery Set (Approved Days).

Design Modular Battery Calculations

Project Information table including Project Name, Project Location, and Power Supply.

Main battery calculation table with columns: Module, Device, Description, Qty, Power Calculations, and Battery Calculations.

Power Supply Limits table with columns: Max. Power, Max. Current, Max. Voltage.

Battery Calculation summary table with columns: New Capacity (Ah), New Alarm (Days).

Approved Battery Capacity table with columns: Approved Capacity (Ah), Battery Set (Approved Days).

Design Modular Battery Calculations

Project Information table including Project Name, Project Location, and Power Supply.

Main battery calculation table with columns: Module, Device, Description, Qty, Power Calculations, and Battery Calculations.

Power Supply Limits table with columns: Max. Power, Max. Current, Max. Voltage.

Battery Calculation summary table with columns: New Capacity (Ah), New Alarm (Days).

Approved Battery Capacity table with columns: Approved Capacity (Ah), Battery Set (Approved Days).

Design Modular Battery Calculations

Project Information table including Project Name, Project Location, and Power Supply.

Main battery calculation table with columns: Module, Device, Description, Qty, Power Calculations, and Battery Calculations.

Power Supply Limits table with columns: Max. Power, Max. Current, Max. Voltage.

Battery Calculation summary table with columns: New Capacity (Ah), New Alarm (Days).

Approved Battery Capacity table with columns: Approved Capacity (Ah), Battery Set (Approved Days).

Design Modular Battery Calculations

Project Information table including Project Name, Project Location, and Power Supply.

Main battery calculation table with columns: Module, Device, Description, Qty, Power Calculations, and Battery Calculations.

Power Supply Limits table with columns: Max. Power, Max. Current, Max. Voltage.

Battery Calculation summary table with columns: New Capacity (Ah), New Alarm (Days).

Approved Battery Capacity table with columns: Approved Capacity (Ah), Battery Set (Approved Days).

Design Modular Battery Calculations

Project Information table including Project Name, Project Location, and Power Supply.

Main battery calculation table with columns: Module, Device, Description, Qty, Power Calculations, and Battery Calculations.

Power Supply Limits table with columns: Max. Power, Max. Current, Max. Voltage.

Battery Calculation summary table with columns: New Capacity (Ah), New Alarm (Days).

Approved Battery Capacity table with columns: Approved Capacity (Ah), Battery Set (Approved Days).

Design Modular Battery Calculations

Project Information table including Project Name, Project Location, and Power Supply.

Main battery calculation table with columns: Module, Device, Description, Qty, Power Calculations, and Battery Calculations.

Power Supply Limits table with columns: Max. Power, Max. Current, Max. Voltage.

Battery Calculation summary table with columns: New Capacity (Ah), New Alarm (Days).

Approved Battery Capacity table with columns: Approved Capacity (Ah), Battery Set (Approved Days).

Design Modular Battery Calculations

Project Information table including Project Name, Project Location, and Power Supply.

Main battery calculation table with columns: Module, Device, Description, Qty, Power Calculations, and Battery Calculations.

Power Supply Limits table with columns: Max. Power, Max. Current, Max. Voltage.

Battery Calculation summary table with columns: New Capacity (Ah), New Alarm (Days).

Approved Battery Capacity table with columns: Approved Capacity (Ah), Battery Set (Approved Days).

SIEMENS logo and contact information for Toronto Branch, including address and phone number.

BATTERY CALCULATIONS 1 OF 2

DESIGN FIRE SAFETY MODULAR SYSTEM project details including System Sales Rep, Project Manager, Drawn By, Checked By, Date Drawn, and Sheet Number.



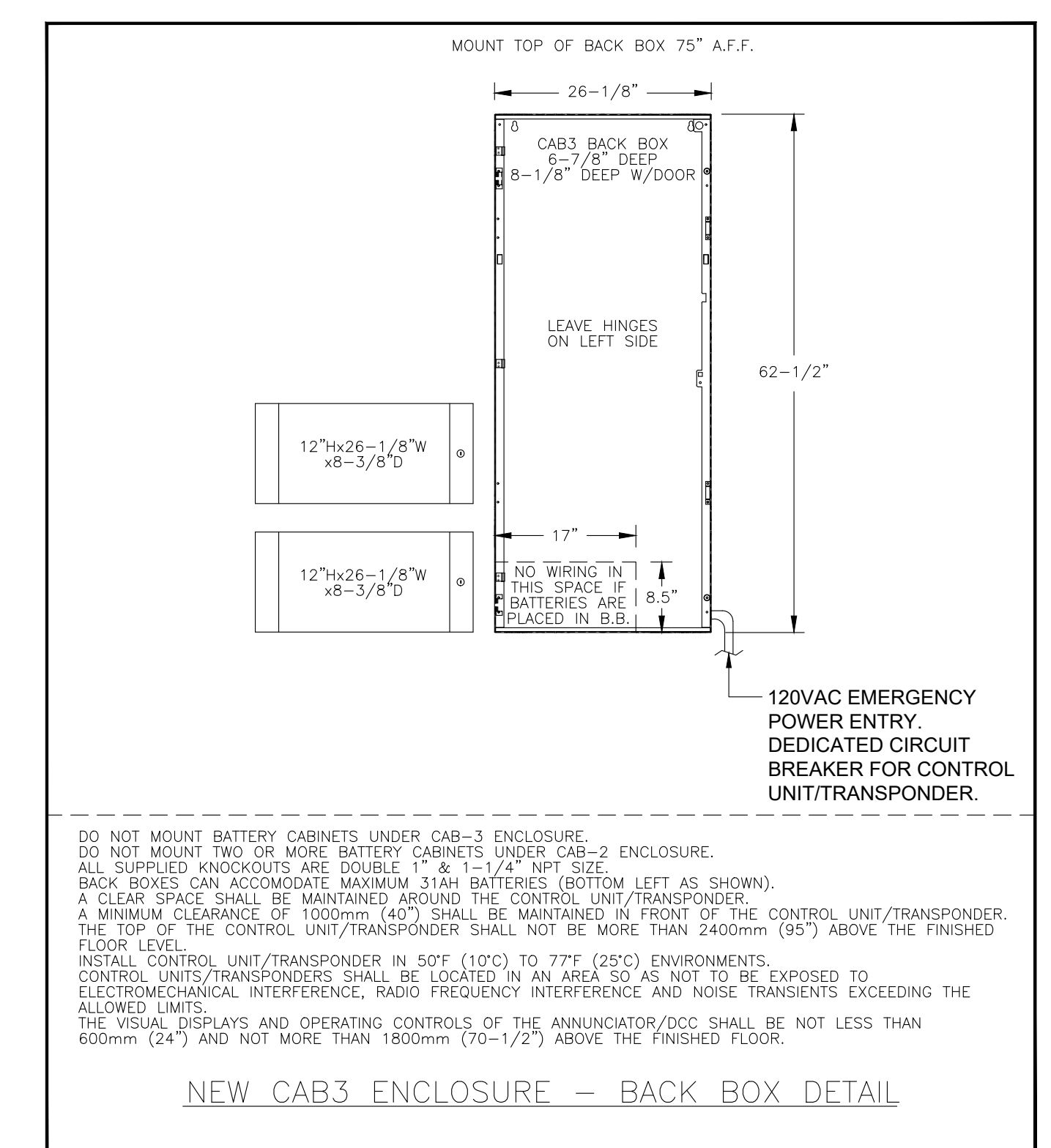
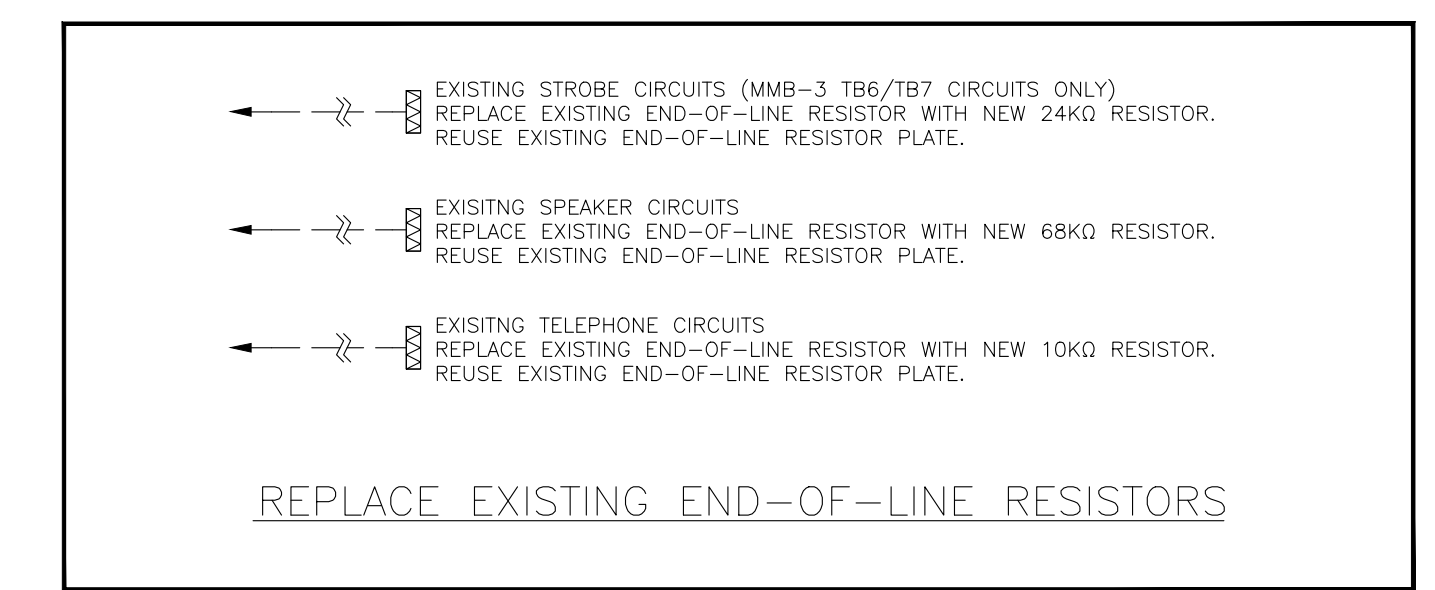
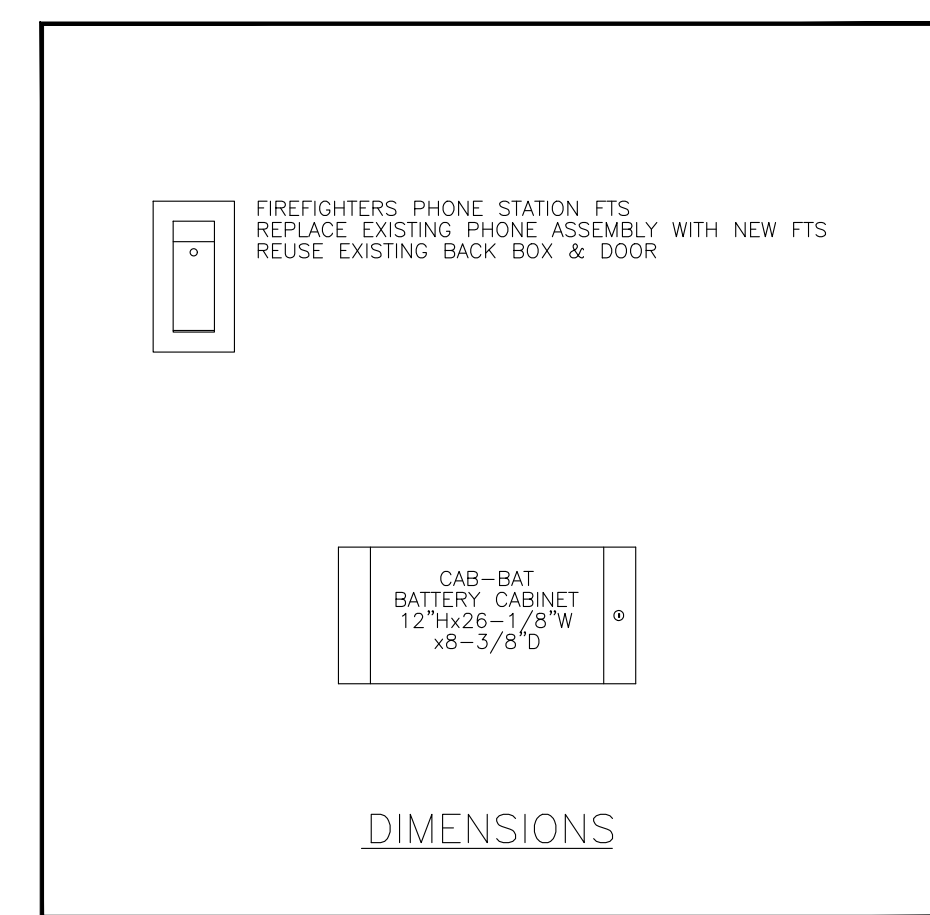
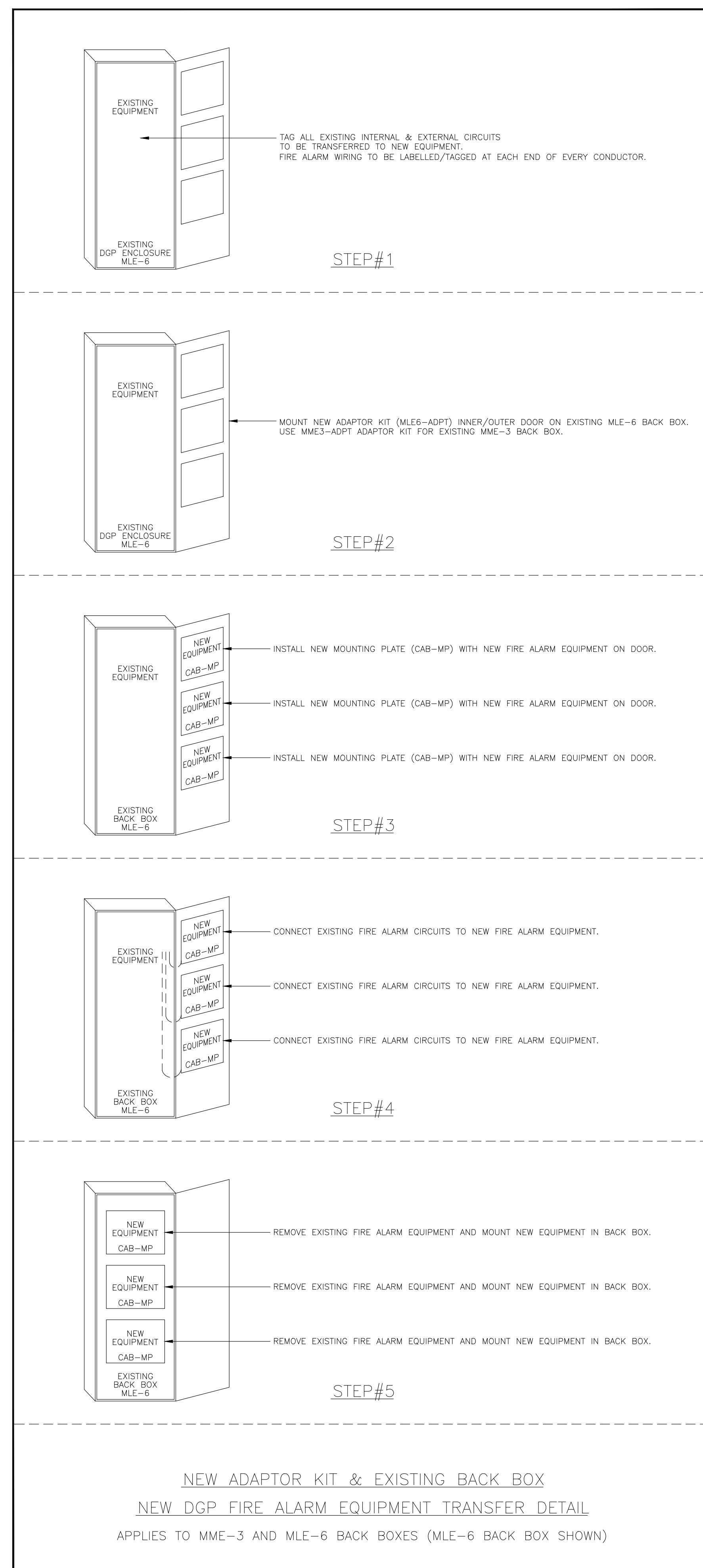
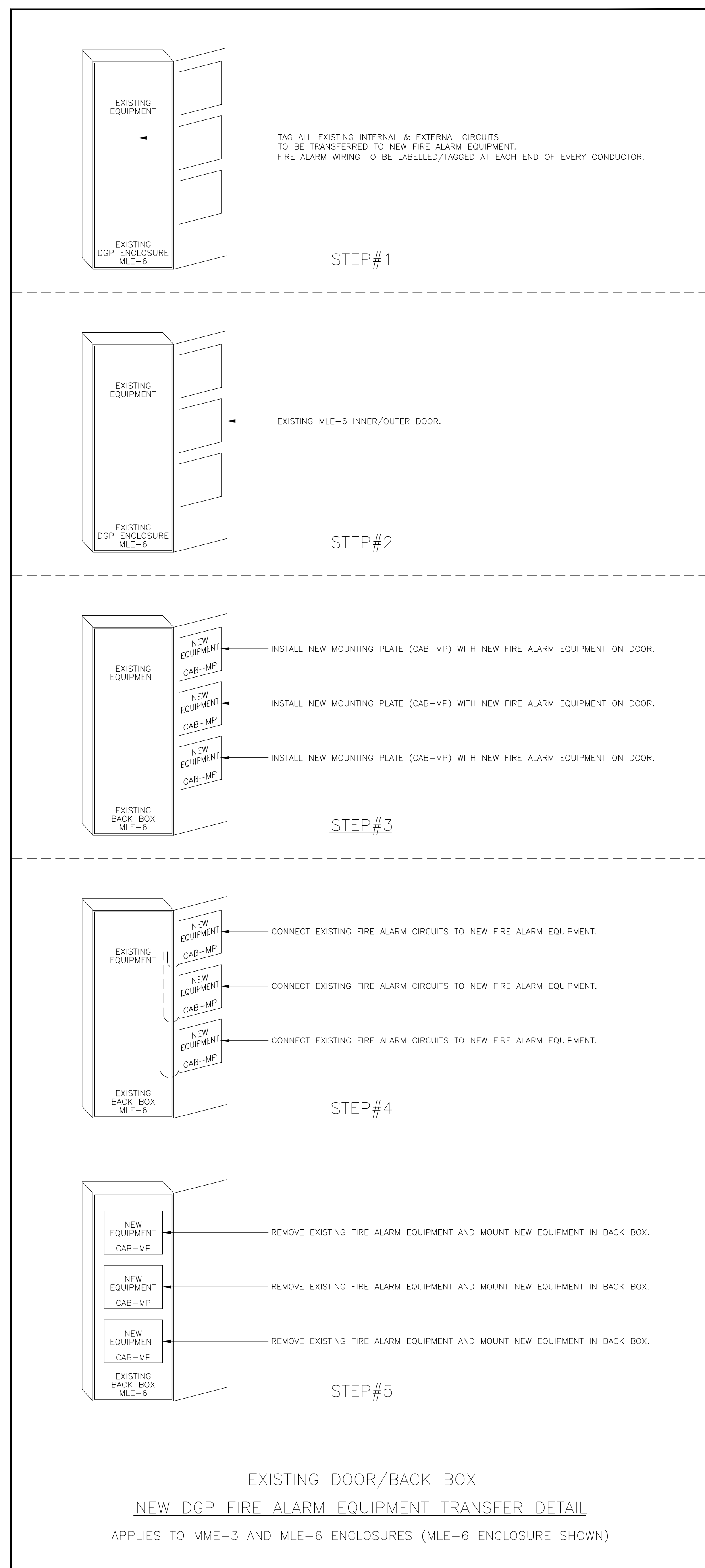




THIS DRAWING AND DESIGN HEREIN SHALL NOT BE REPRODUCED, COPIED, USED OR DISCLOSED TO OTHERS FOR PROCUREMENT OR OTHER PURPOSES EXCEPT AS OTHERWISE AUTHORIZED BY CONTRACT WITHOUT WRITTEN PERMISSION OF SIEMENS INDUSTRY, INC. THE FIRE SAFETY DIVISION. ALL OTHER REPRODUCTIONS SHALL BEAR THIS NOTICE.

REVISIONS

No.	Revision	By	Date

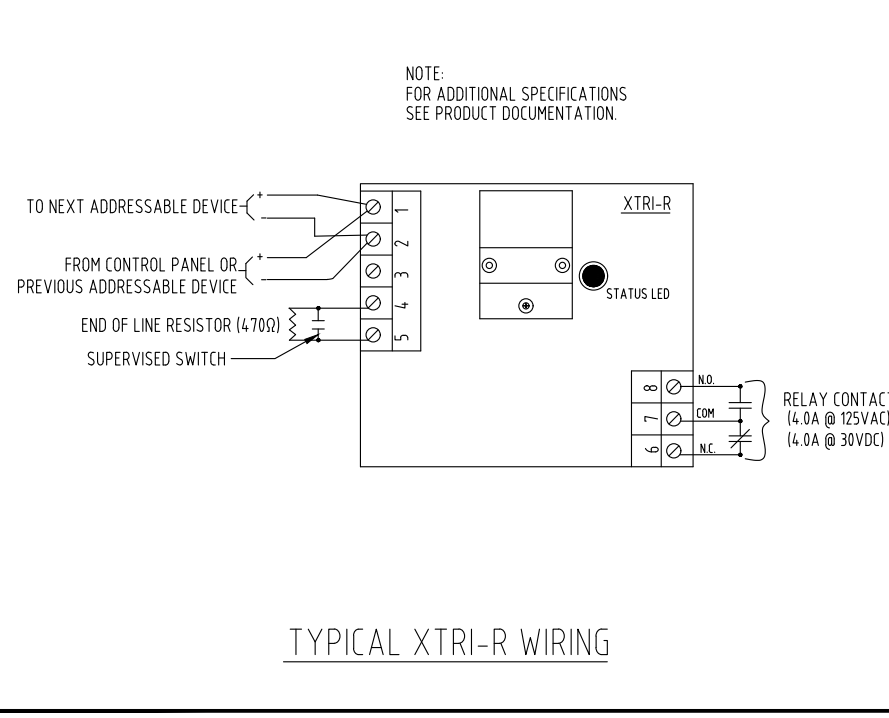
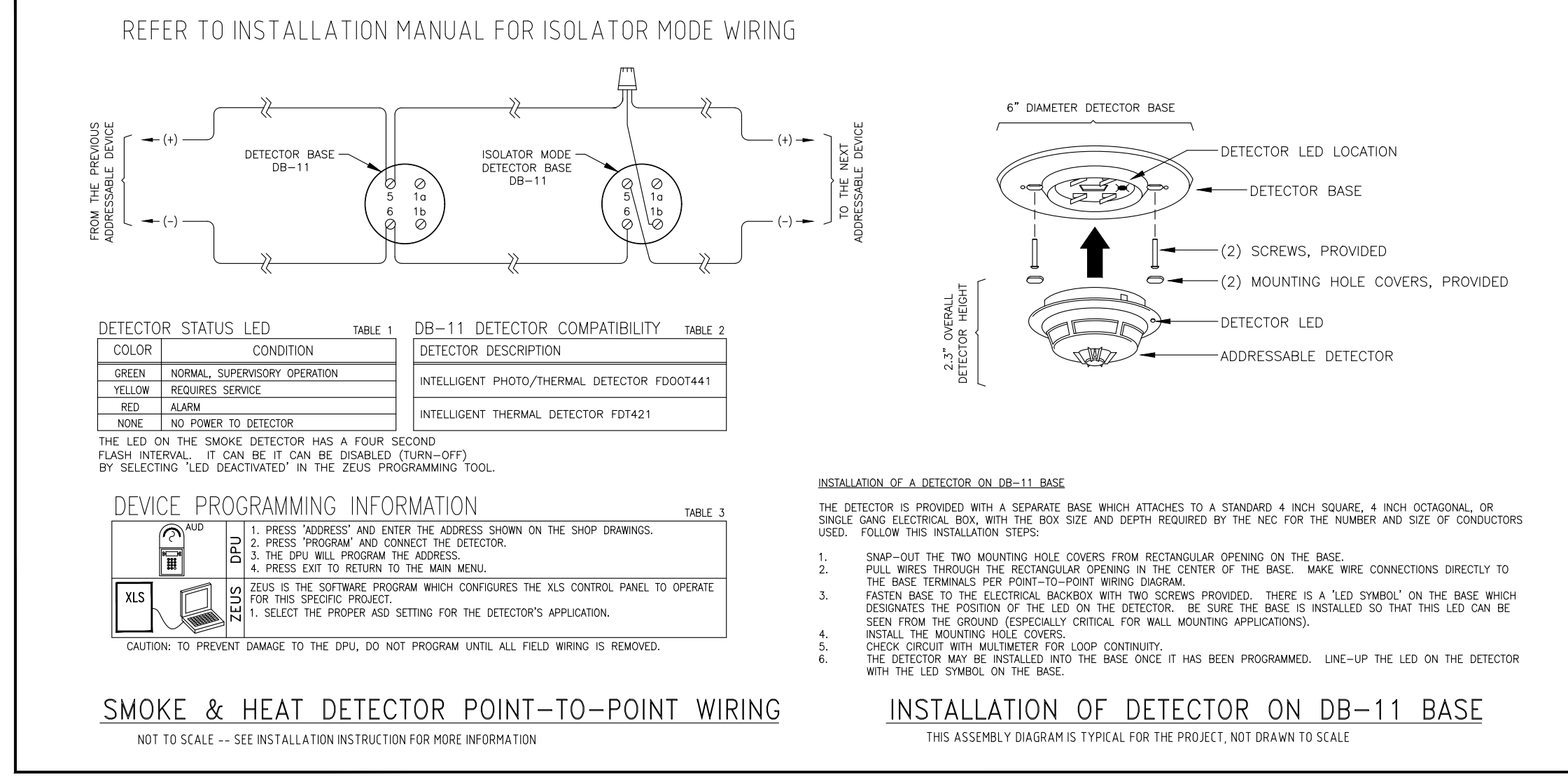
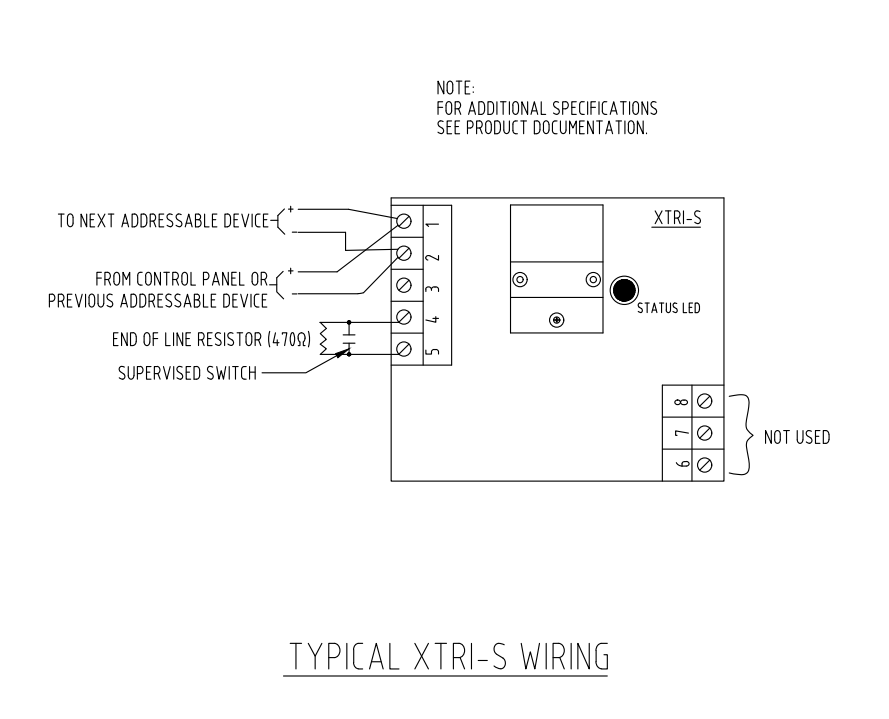
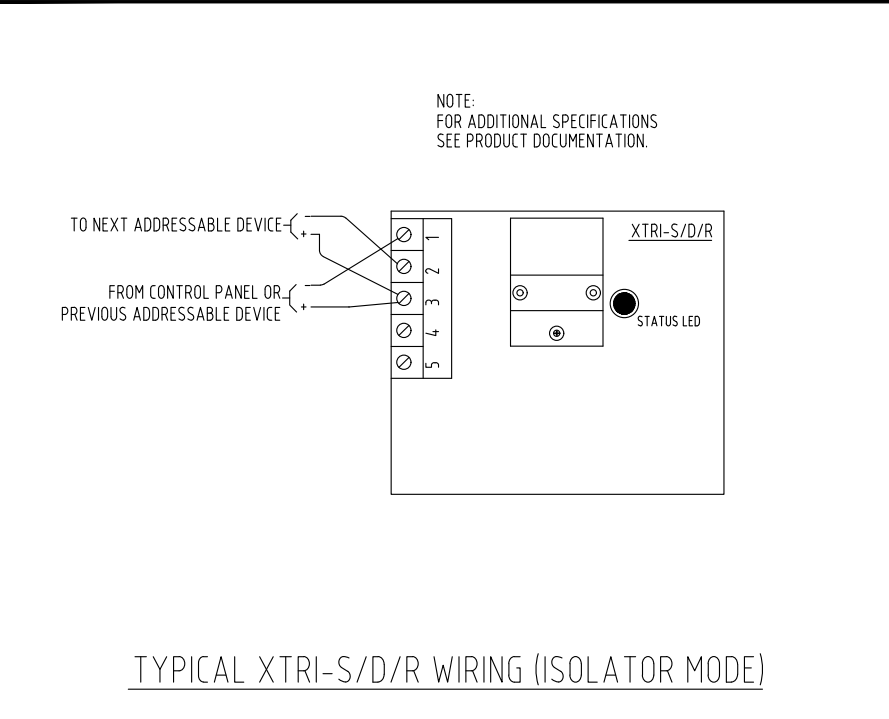
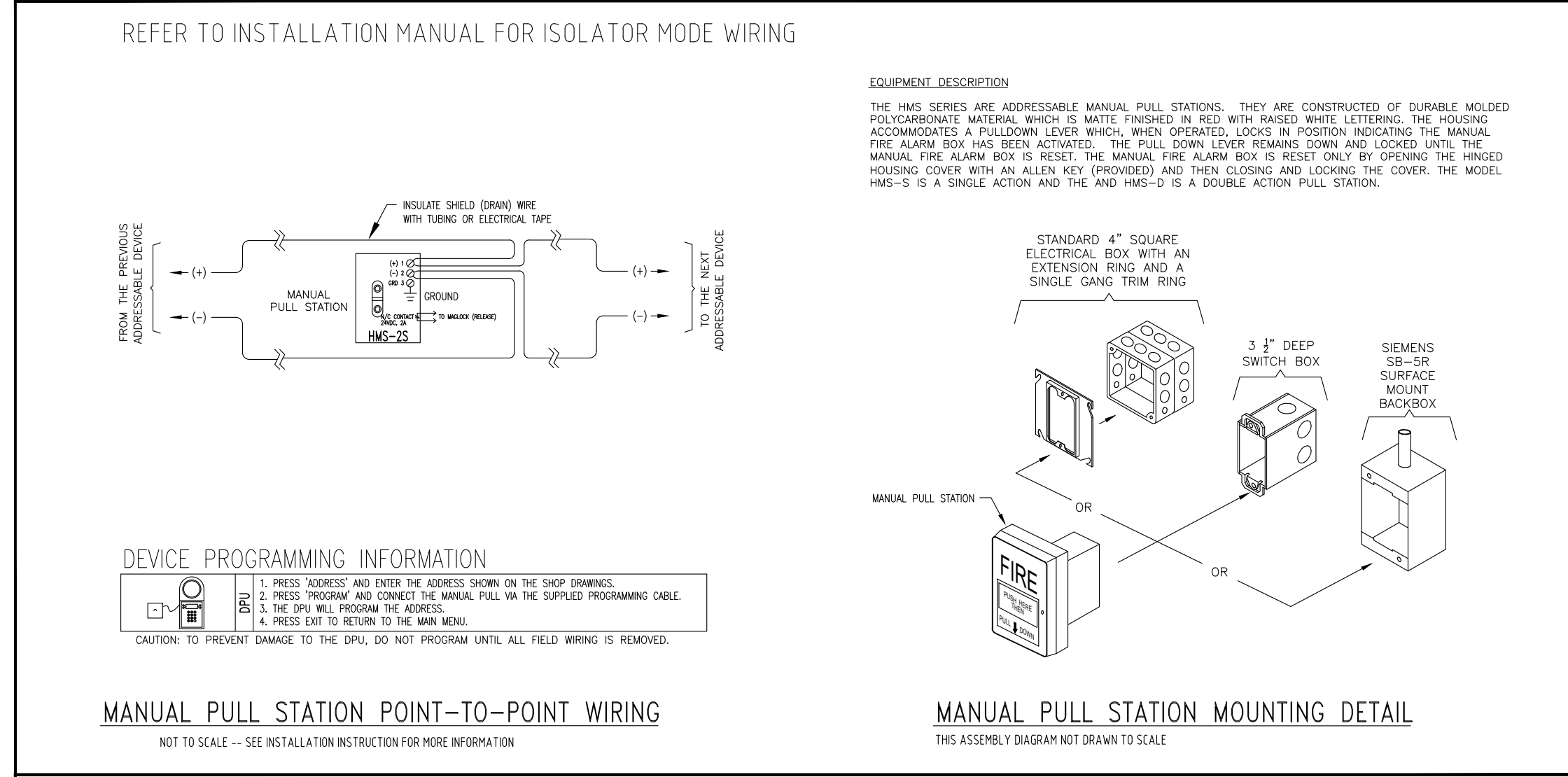




THE DRAWING AND DESIGN HEREIN SHALL NOT BE DUPLICATED, USED OR DISCLOSED TO OTHERS FOR PROCUREMENT OR OTHER PURPOSES (EXCEPT AS OTHERWISE AUTHORIZED BY CONTRACT) WITHOUT WRITTEN PERMISSION OF SIEMENS INDUSTRY, INC. THE FIRE SAFETY DIVISION. ALL OTHER REPRODUCTIONS SHALL BEAR THIS NOTICE.

REVISIONS

No.	Revision	By	Date





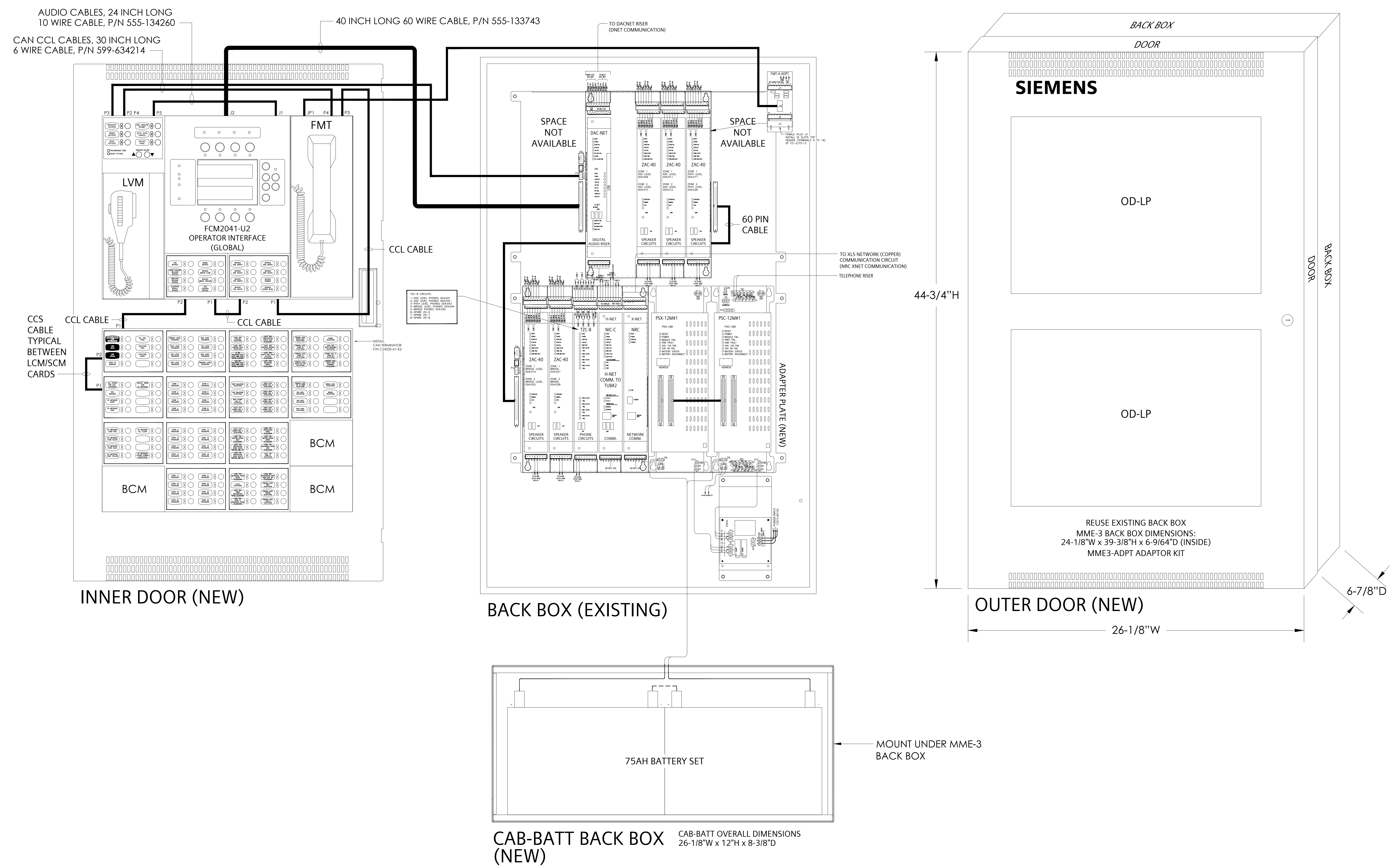
THE DRAWING AND DESIGN HEREIN SHALL NOT BE REPRODUCED, COPIED, USED OR DISCLOSED TO OTHERS FOR PROCUREMENT OR OTHER PURPOSES (EXCEPT AS OTHERWISE AUTHORIZED BY CONTRACT) WITHOUT WRITTEN PERMISSION OF SIEMENS INDUSTRY, INC. THE FIRE SAFETY DIVISION. ALL OTHER REPRODUCTIONS SHALL BEAR THIS NOTICE.

**REVISIONS**

No.	Revision	By	Date

- NOTES:  
 ① THE NUMBER, POSITION & WIRING OF MODULES MAY CHANGE AS PER SITE CONDITIONS.  
 ② N/A  
 ③ THESE ENCLOSURES ARE FOR INDOOR USE AND FOR DRY ENVIRONMENTS.

**PANEL DESCRIPTION:**  
**MAIN ANNUNCIATOR**  
 I.D.: MAIN ANNUNCIATOR (TUB#1)  
 LOCATION: SOUTH BUILDING LEVEL 81.60  
 FIREMAN CONTROL ROOM 504  
**ENCLOSURE:**  
 CAB1  
 CAB2  
 CAB3  
 REMBOX2  
 REMBOX4  
**COLOUR:**  
 BLACK  
 RED  
**MOUNT:**  
 SURFACE  
 SEMI-FLUSH  
 SEMI-FLUSH WITH TRIM KIT  
**ADAPTER KITS:**  
 EXISTING RCC-3 BACK BOX  
 XLS-RCC1-ADPT (BLACK)  
 EXISTING MSE-3L BACK BOX  
 XLS-MSE3-ADPT (BLACK)  
 EXISTING MME-3 BACK BOX  
 XLS-MME3-ADPT (BLACK)  
 EXISTING MLE-6 BACK BOX  
 XLS-MLE6-ADPT (BLACK)  
**SINGLE-NODE UPLOAD (SNU) MODULE:**  
 SNU MOUNTED NEXT TO THIS ENCLOSURE  
**MONITORING-ONLY SOLUTION ASSEMBLY:**  
 MOSA MOUNTED NEXT TO THIS ENCLOSURE



**PRODUCT MANUFACTURER:**  
**SIEMENS**  
 SIEMENS CANADA LIMITED  
 SMART INFRASTRUCTURE  
 TORONTO BRANCH  
 1577 NORTH SERVICE ROAD EAST  
 OAKVILLE, ON L6H 0H6  
 Tel 905.465.7208 Fax 905.465.8167

**JOB NAME & LOCATION:**  
**METRO TORONTO CONVENTION CENTRE**  
**SOUTH BUILDING**  
**FIRE ALARM MODERNIZATION**  
 222 BREMNER BOULEVARD,  
 TORONTO, ON

**SHEET CONTENTS:**  
**MAIN ANNUNCIATOR (TUB#1)**  
**PANEL LAYOUT**

**DESIGO FIRE SAFETY MODULAR SYSTEM**  
 SYSTEM SALES REP: RYAN BROCKWAY  
 PROJECT MANAGER: MAXIM VELIKYI  
 DRAWN BY: REMO MARTIGNAGO  
 CHECKED BY:  
 SCALE: NTS  
 DATE DRAWN: APRIL 15, 2024  
 SHEET NUMBER: E-FA-PNL-01  
 SIEMENS JOB NUMBER: J-SI-07733



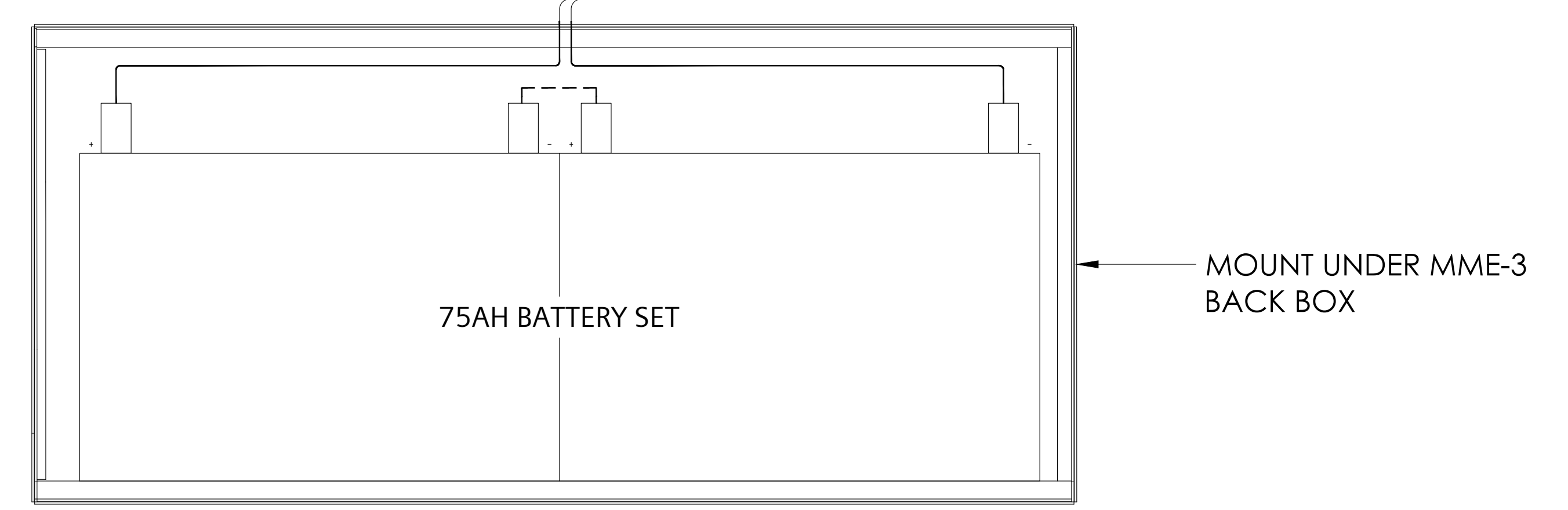
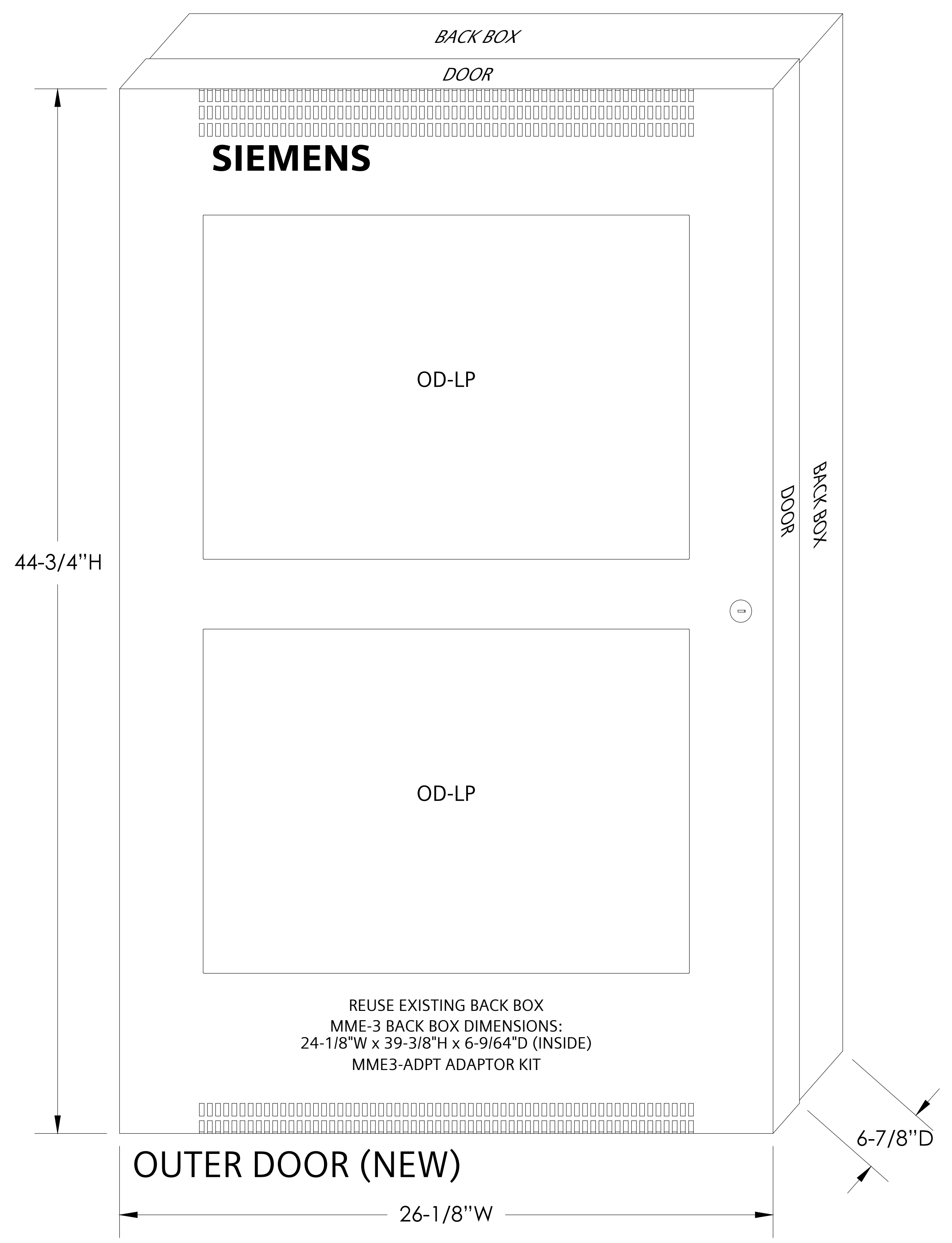
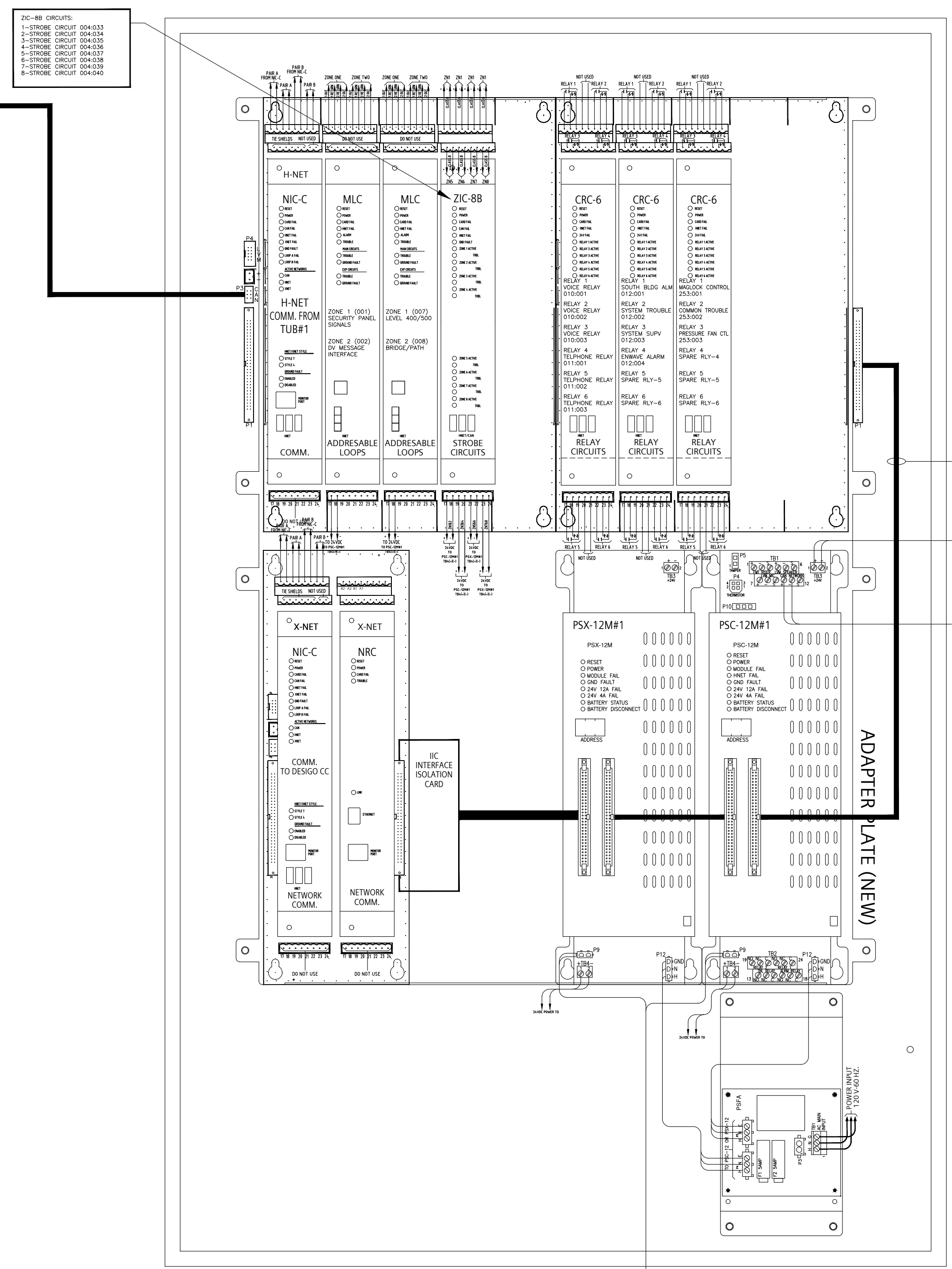
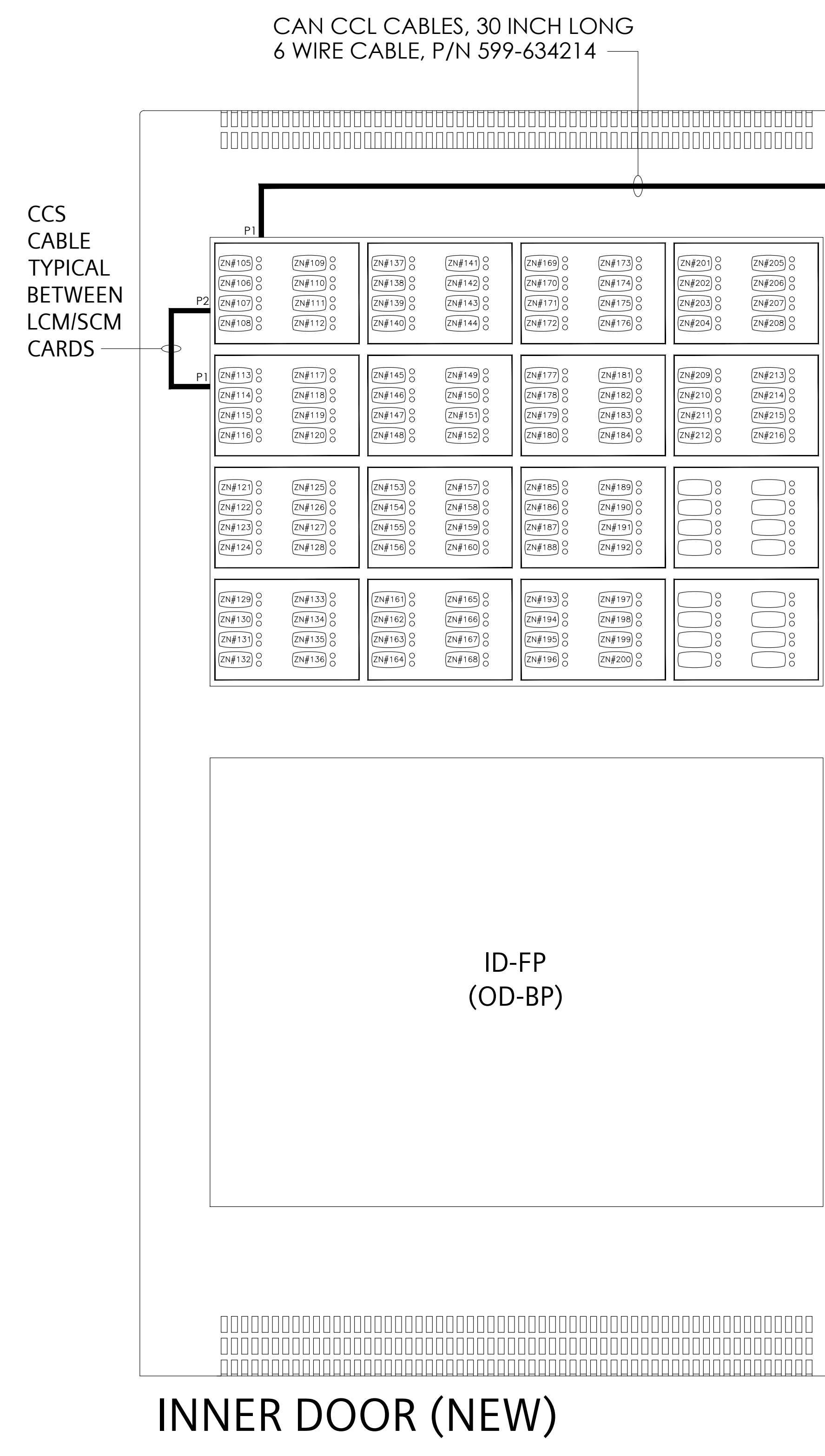
THIS DRAWING AND DESIGN HEREIN SHALL NOT BE REPRODUCED, COPIED, OR DISCLOSED TO OTHERS FOR PROCUREMENT OR OTHER PURPOSES EXCEPT AS OTHERWISE AUTHORIZED BY CONTRACT WITHOUT WRITTEN PERMISSION OF SIEMENS INDUSTRY, INC. THE FIRE SAFETY DIVISION. ALL OTHER REPRODUCTIONS SHALL BEAR THIS NOTICE.

**REVISIONS**

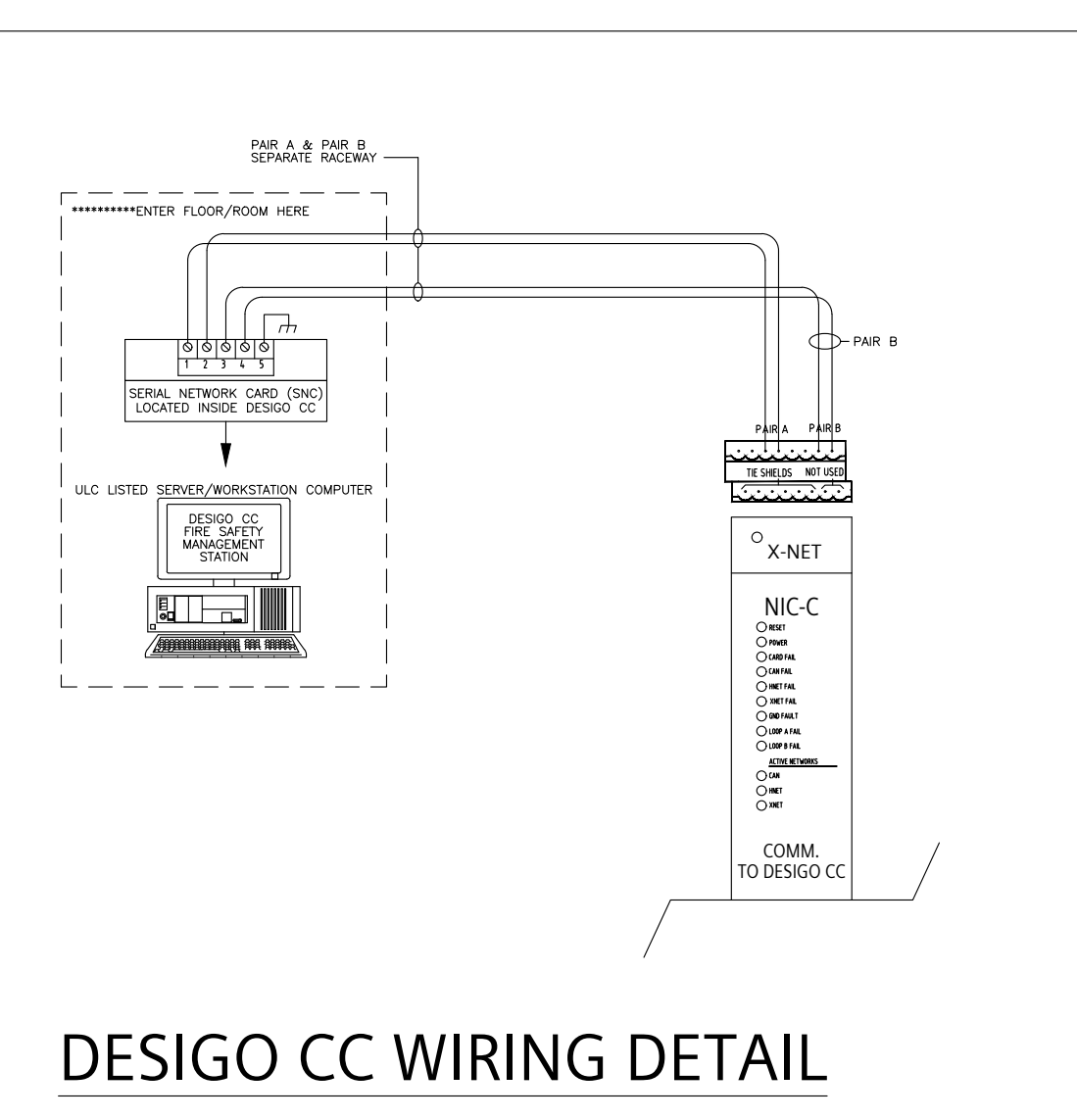
No.	Revision	By	Date

- NOTES:  
 ① THE NUMBER, POSITION & WIRING OF MODULES MAY CHANGE AS PER SITE CONDITIONS.  
 ② N/A  
 ③ THESE ENCLOSURES ARE FOR INDOOR USE AND FOR DRY ENVIRONMENTS.

**PANEL DESCRIPTION:**  
**MAIN ANNUNCIATOR (TUB#2)**  
**LOCATION:**  
 SOUTH BUILDING LEVEL 81.60  
 FIREMAN CONTROL ROOM 504  
**ENCLOSURE:**  
 CAB1  
 CAB2  
 CAB3  
 REMBOX2  
 REMBOX4  
**COLOUR:**  
 BLACK  
 RED  
**MOUNT:**  
 SURFACE  
 SEMI-FLUSH  
 SEMI-FLUSH WITH TRIM KIT  
**ADAPTER KITS:**  
 EXISTING RCC-3 BACK BOX  
 XLS-RCC1-ADPT (BLACK)  
 EXISTING MSE-3L BACK BOX  
 XLS-MSE3-ADPT (BLACK)  
 EXISTING MME-3 BACK BOX  
 XLS-MME3-ADPT (BLACK)  
 EXISTING MLE-6 BACK BOX  
 XLS-MLE6-ADPT (BLACK)  
**SINGLE-NODE UPLOAD (SNU) MODULE:**  
 SNU MOUNTED NEXT TO THIS ENCLOSURE  
**MONITORING-ONLY SOLUTION ASSEMBLY:**  
 MOSA MOUNTED NEXT TO THIS ENCLOSURE



**CAB-BATT BACK BOX (NEW)**  
 CAB-BATT OVERALL DIMENSIONS  
 26-1/8"W x 12"H x 8-3/8"D





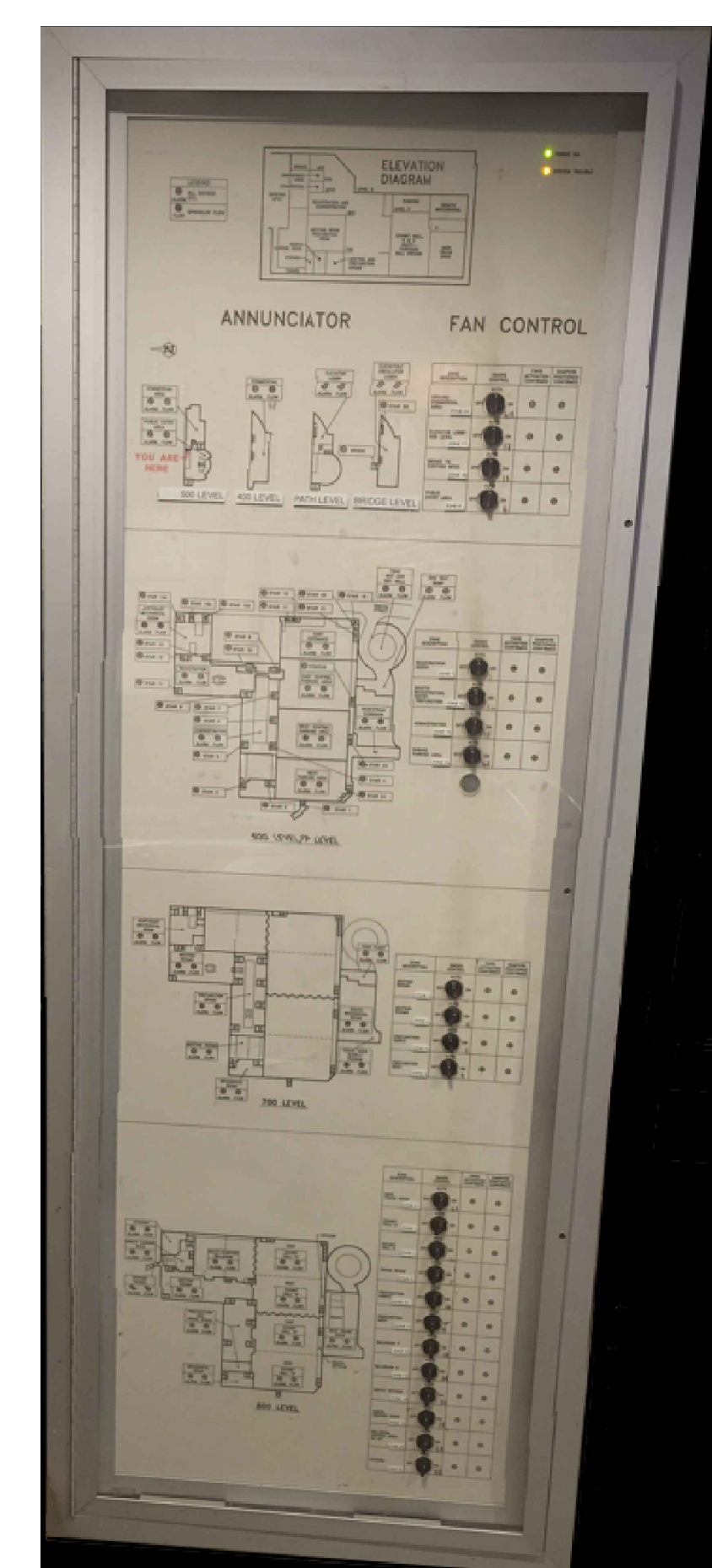
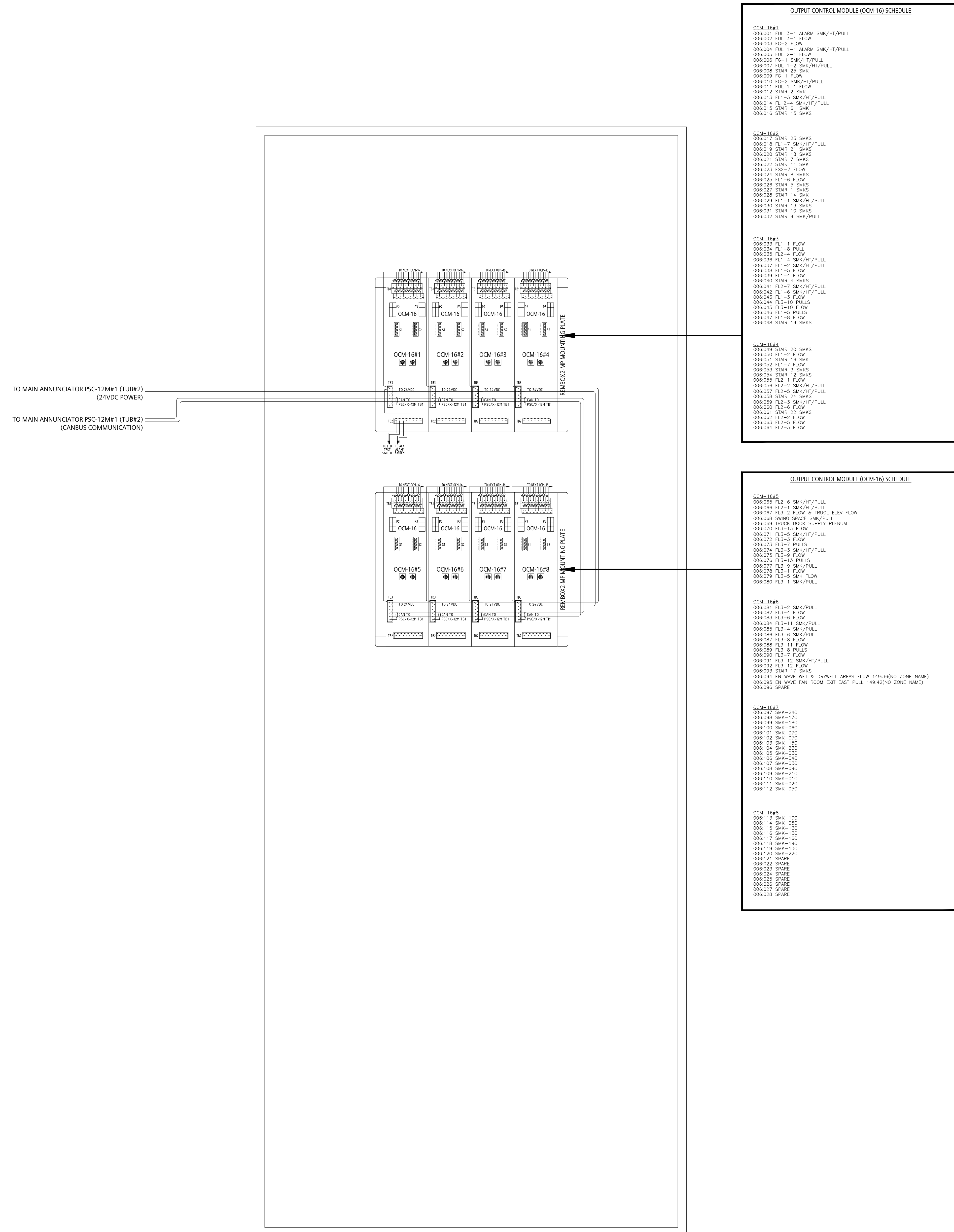
THIS DRAWING AND DESIGN HEREIN SHALL NOT BE DUPLICATED, USED OR DISCLOSED TO OTHERS FOR PROCUREMENT OR OTHER PURPOSES EXCEPT AS OTHERWISE AUTHORIZED BY CONTRACT WITHOUT WRITTEN PERMISSION OF SIEMENS INDUSTRY, INC. THE FIRE SAFETY DIVISION. ALL OTHER REPRODUCTIONS SHALL BEAR THIS NOTICE.

REVISIONS

No.	Revision	By	Date

- NOTES:  
 ① THE NUMBER, POSITION & WRING OF MODULES MAY CHANGE AS PER SITE CONDITIONS.  
 ② N/A  
 ③ THESE ENCLOSURES ARE FOR INDOOR USE AND FOR DRY ENVIRONMENTS.

PANEL DESCRIPTION:  
 ACTIVE GRAPHIC (EXISTING)  
 I.D.:  
 ACTIVE GRAPHIC (TUB#3)  
 LOCATION:  
 SOUTH BUILDING LEVEL 81.60  
 FIREMAN CONTROL ROOM 504  
 ENCLOSURE:  
 CUSTOM  
 COLOUR:  
 SILVER/CLEAR FRAME  
 BLACK  
 MOUNT:  
 SURFACE  
 SEMI-FLUSH  
 SEMI-FLUSH WITH TRIM KIT



DOOR VIEW

ENCLOSURE INCLUDING DOOR AND BACK BOX (EXISTING)  
 REUSE ENCLOSURE AND GRAPHIC  
 REPLACE I/O CARDS ONLY

PRODUCT MANUFACTURER:  
**SIEMENS**  
 SIEMENS CANADA LIMITED  
 SMART INFRASTRUCTURE  
 TORONTO BRANCH  
 1577 NORTH SERVICE ROAD EAST  
 OAKVILLE, ON L6H 0H6  
 Tel 905.465.7208 Fax 905.465.8167

JOB NAME & LOCATION:  
**METRO TORONTO CONVENTION CENTRE**  
**SOUTH BUILDING**  
**FIRE ALARM MODERNIZATION**  
 222 BREMNER BOULEVARD,  
 TORONTO, ON

SHEET CONTENTS:  
**ACTIVE GRAPHIC**  
**PANEL LAYOUT**

DESIGO FIRE SAFETY MODULAR SYSTEM  
 SYSTEM SALES REP:-  
 RYAN BROCKWAY

PROJECT MANAGER:  
 MAXIM VELIKY

DRAWN BY:  
 REMO MARTIGNAGO

CHECKED BY:

SCALE:  
 NTS

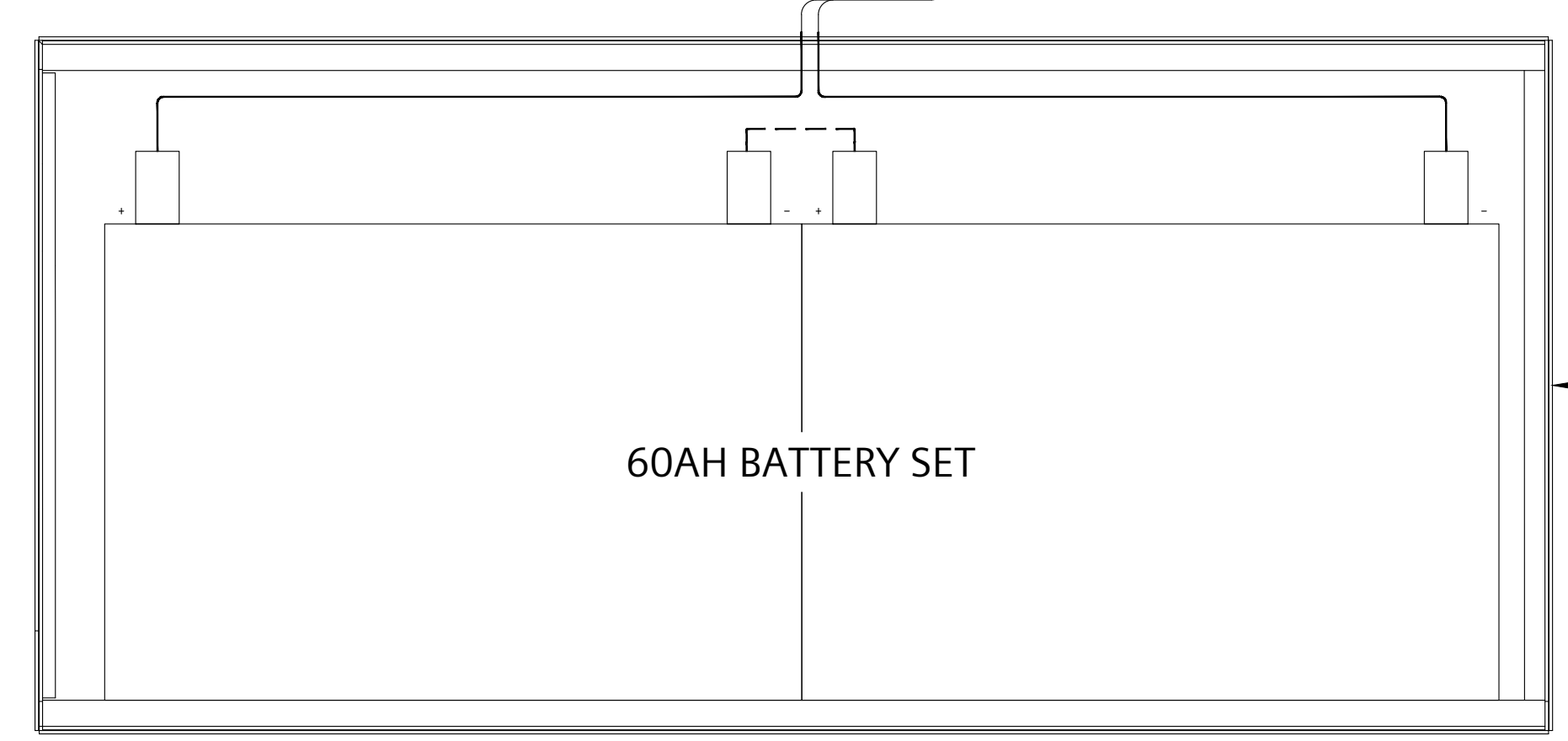
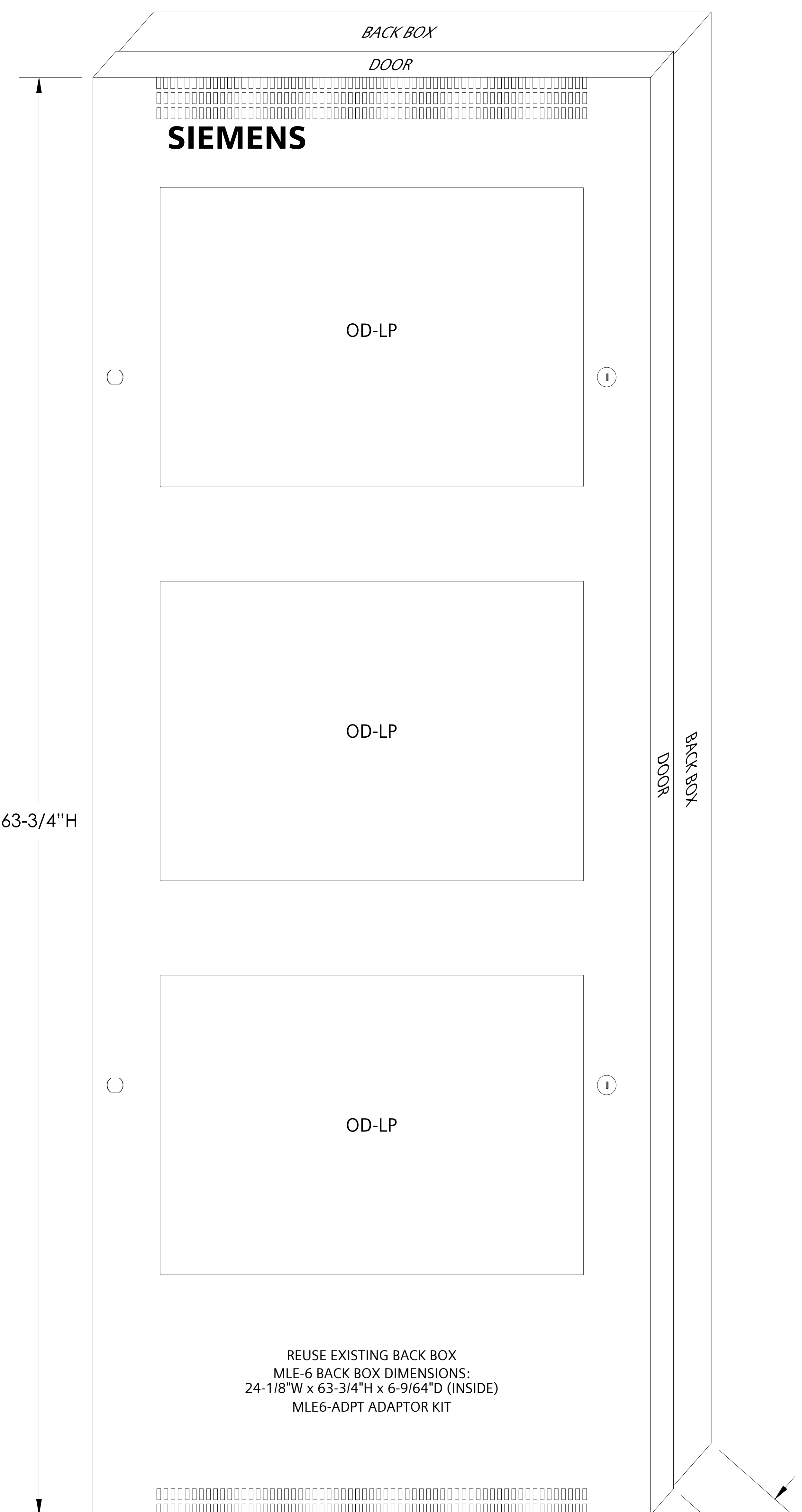
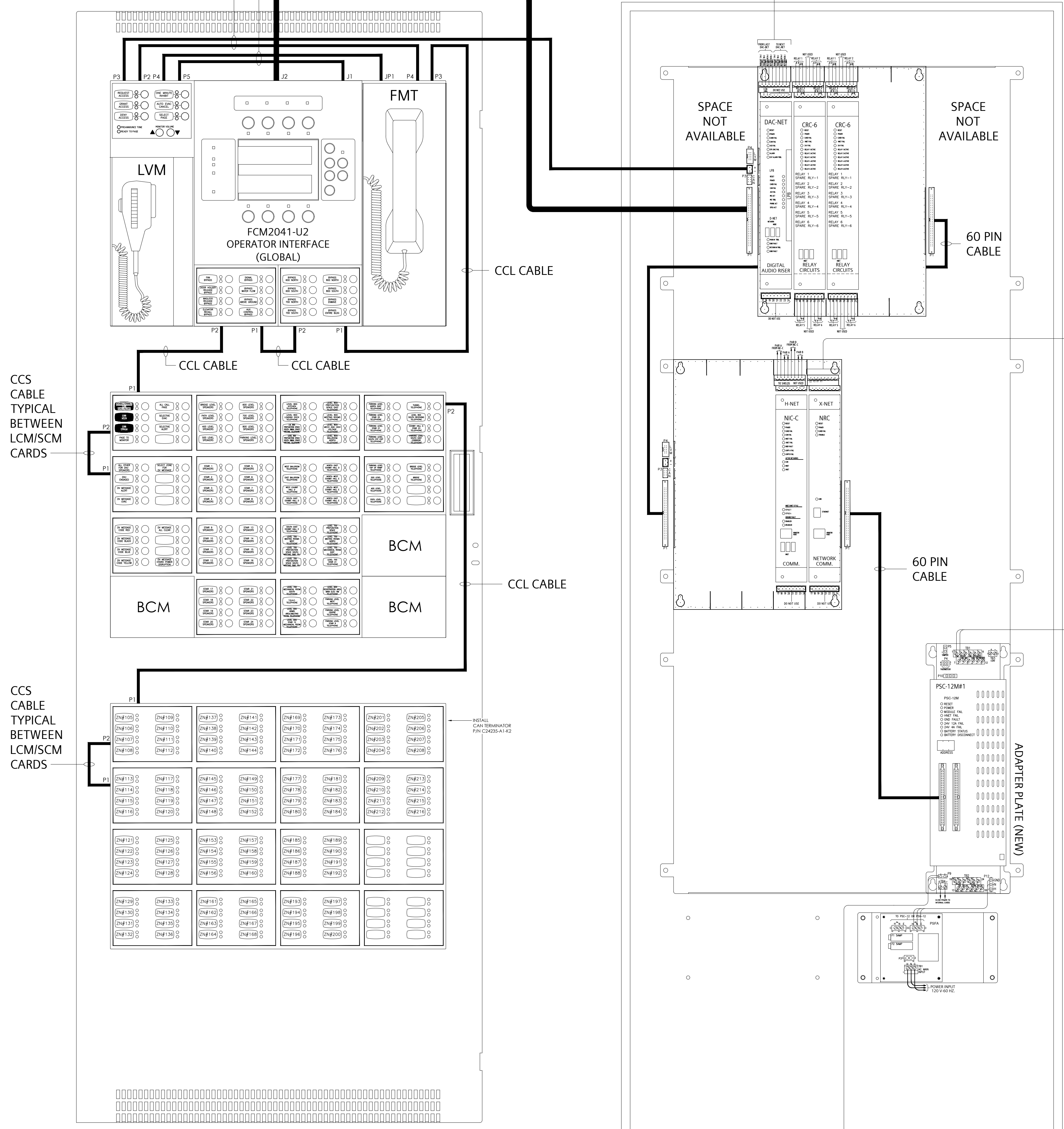
DATE DRAWN:  
 APRIL 15, 2024

SHEET NUMBER: E-FA-PNL-03  
 SIEMENS JOB NUMBER: J-SI-07733



THE DRAWING AND DESIGN HEREIN SHALL NOT BE DUPLICATED, USED OR DISCLOSED TO OTHERS FOR PROCUREMENT OR OTHER PURPOSES (EXCEPT AS OTHERWISE AUTHORIZED BY CONTRACT) WITHOUT WRITTEN PERMISSION OF SIEMENS INDUSTRY, INC. THE SAFETY DIVISION. ALL OTHER REPRODUCTIONS SHALL BEAR THIS NOTICE.

AUDIO CABLES, 24 INCH LONG  
10 WIRE CABLE, P/N 555-134260  
CAN CCL CABLES, 30 INCH LONG  
6 WIRE CABLE, P/N 599-634214  
40 INCH LONG 60 WIRE CABLE, P/N 555-133743



CAB-BATT BACK BOX (NEW)  
CAB-BATT OVERALL DIMENSIONS  
26-1/8"W x 12"H x 8-3/8"D

REVISIONS			
No.	Revision	By	Date

- NOTES:  
 ① THE NUMBER, POSITION & WIRING OF MODULES MAY CHANGE AS PER SITE CONDITIONS.  
 ② N/A  
 ③ THESE ENCLOSURES ARE FOR INDOOR USE AND FOR DRY ENVIRONMENTS.

- PANEL DESCRIPTION:  
 MAIN ANNUNCIATOR (ALTERNATE)  
 I.D.:  
 MAIN ANNUNCIATOR (ALTERNATE)  
 LOCATION:  
 NORTH BUILDING LEVEL 100  
 NORTH BUILDING CONTROL ROOM  
 ENCLOSURE:  
 CAB1  
 CAB2  
 CAB3  
 REMBOX2  
 REMBOX4  
 COLOUR:  
 BLACK  
 RED  
 MOUNT:  
 SURFACE  
 SEMI-FLUSH  
 SEMI-FLUSH WITH TRIM KIT  
 ADAPTER KITS:  
 EXISTING RCC-3 BACK BOX  
 XLS-RCC1-ADPT (BLACK)  
 EXISTING MSE-3L BACK BOX  
 XLS-MSE3-ADPT (BLACK)  
 EXISTING MME-3 BACK BOX  
 XLS-MME3-ADPT (BLACK)  
 EXISTING MLE-6 BACK BOX  
 XLS-MLE6-ADPT (BLACK)  
 SINGLE-NODE UPLOAD (SNU) MODULE:  
 SNU MOUNTED NEXT TO THIS ENCLOSURE  
 MONITORING-ONLY SOLUTION ASSEMBLY:  
 MOSA MOUNTED NEXT TO THIS ENCLOSURE

PRODUCT MANUFACTURER:  
**SIEMENS**  
 SIEMENS CANADA LIMITED  
 SMART INFRASTRUCTURE  
 TORONTO BRANCH  
 1577 NORTH SERVICE ROAD EAST  
 OAKVILLE, ON L6H 0H6  
 Tel 905.465.7208 Fax 905.465.8167

JOB NAME & LOCATION:  
**METRO TORONTO CONVENTION CENTRE  
 SOUTH BUILDING  
 FIRE ALARM MODERNIZATION  
 222 BREMNER BOULEVARD,  
 TORONTO, ON**

SHEET CONTENTS:  
**MAIN ANNUNCIATOR (ALTERNATE)  
 PANEL LAYOUT**

DESIGNO FIRE SAFETY MODULAR SYSTEM  
 SYSTEM SALES REP:  
 RYAN BROCKWAY

PROJECT MANAGER:  
 MAXIM VELIKY

DRAWN BY:  
 REMO MARTIGNAGO

CHECKED BY:  
 SCALE:  
 NTS

DATE DRAWN:  
 APRIL 15, 2024  
 SHEET NUMBER:  
 E-FA-PNL-04  
 SIEMENS JOB NUMBER:  
 J-SI-07733



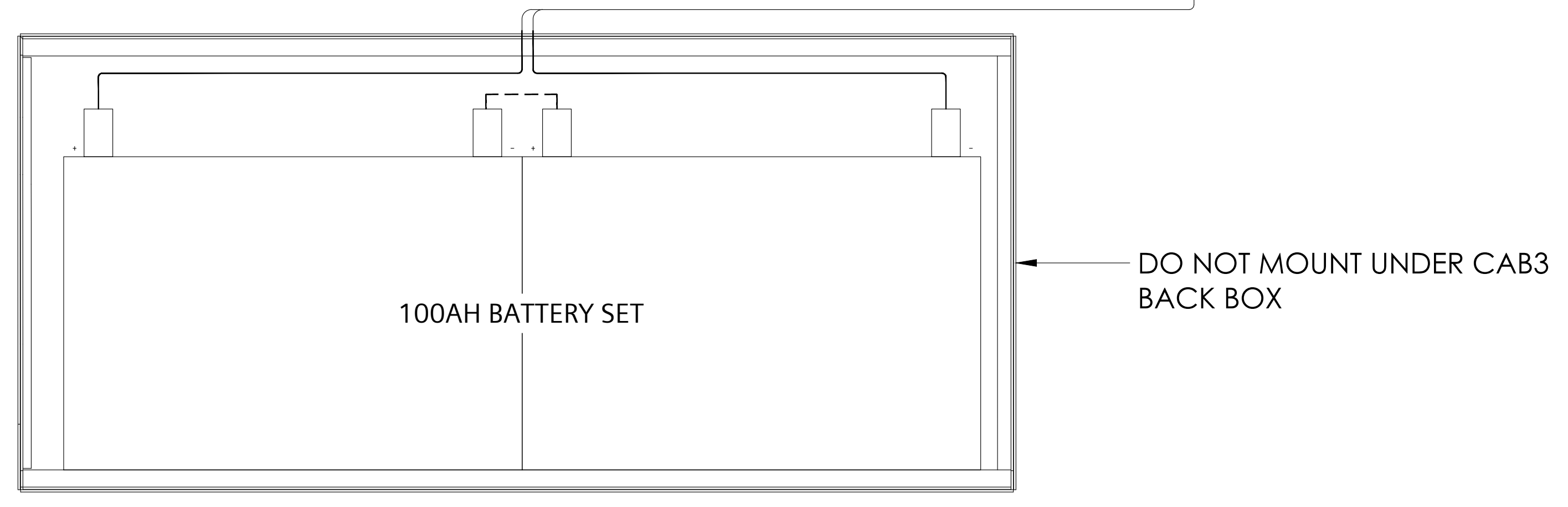
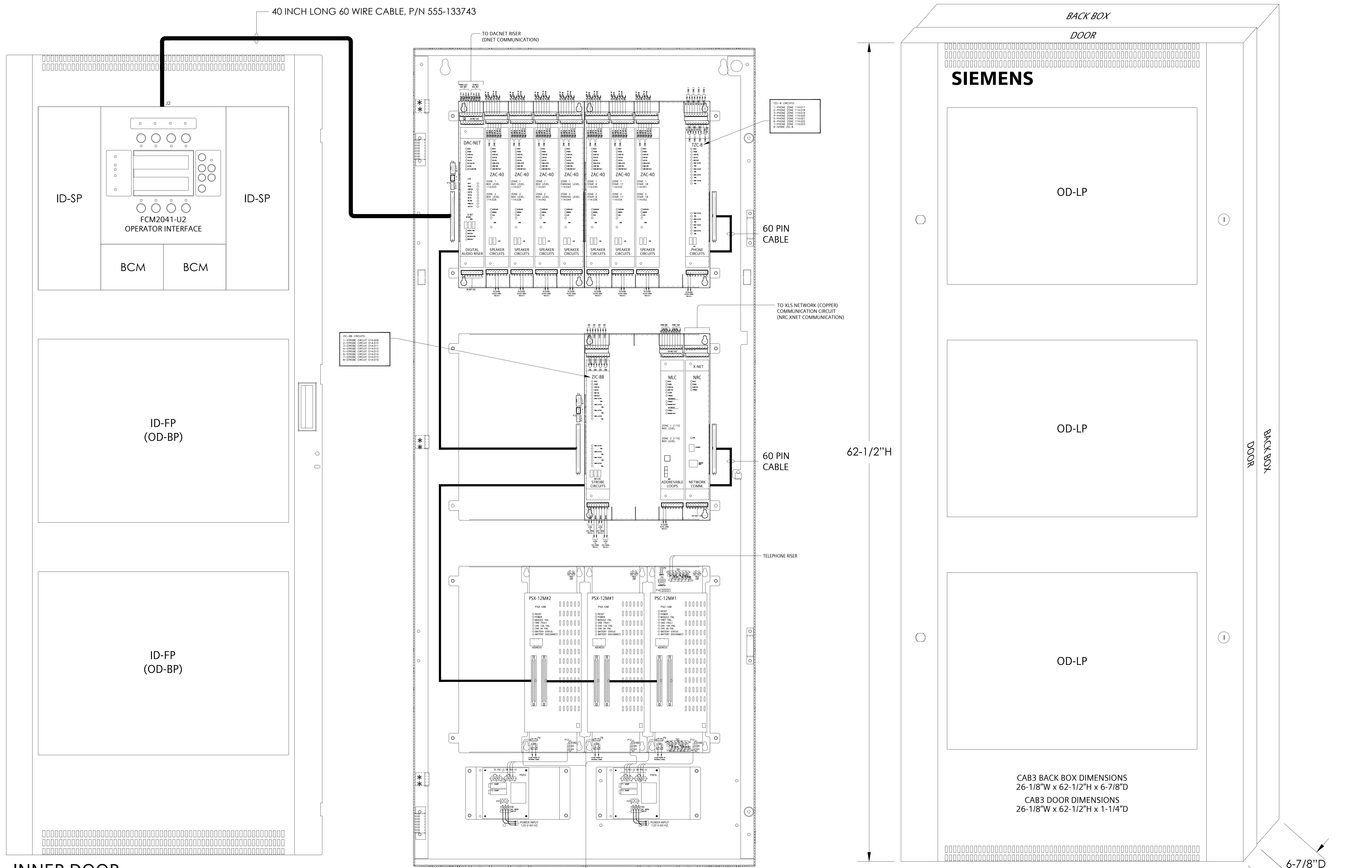
THE DRAWING AND DESIGN HEREIN SHALL NOT BE DUPLICATED, USED OR DISCLOSED TO OTHERS FOR PROCUREMENT OR OTHER PURPOSES EXCEPT AS OTHERWISE AUTHORIZED BY CONTRACT WITHOUT WRITTEN PERMISSION OF SIEMENS INDUSTRY, INC. THE FIRE SAFETY DIVISION. ALL OTHER REPRODUCTIONS SHALL BEAR THIS NOTICE.

**REVISIONS**

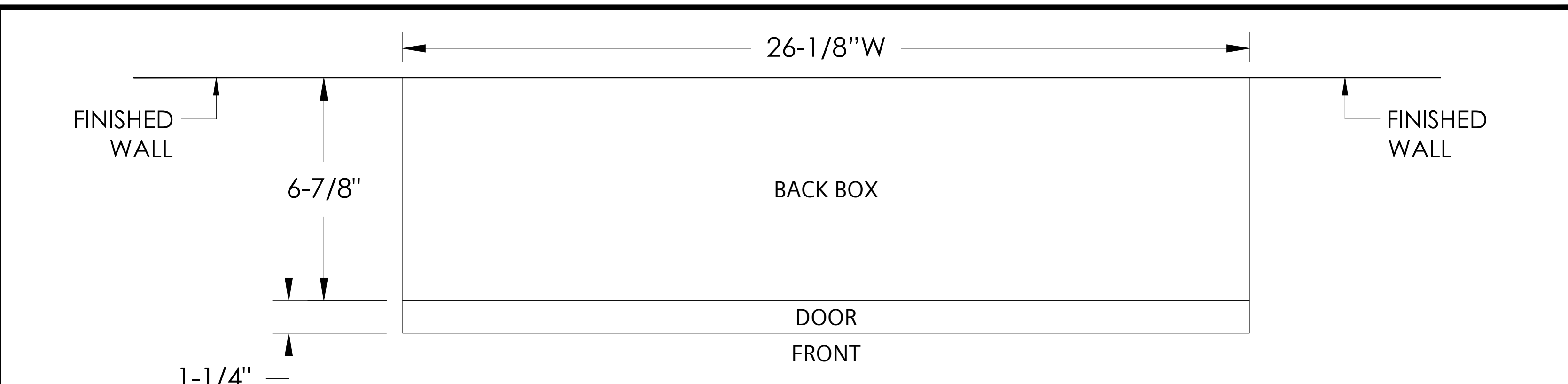
No.	Revision	By	Date

NOTES:  
 ① THE NUMBER, POSITION & WIRING OF MODULES MAY CHANGE AS PER SITE CONDITIONS.  
 ② THE DOOR DEPTH IS 1-1/4".  
 ③ THESE ENCLOSURES ARE FOR INDOOR USE AND FOR DRY ENVIRONMENTS.

**PANEL DESCRIPTION:**  
 TRANSPONDER  
 I.D.:  
 TRANSPONDER L1-E  
 LOCATION:  
 SOUTH BUILDING LEVEL 74.475 PARKING EAST ELECTRICAL ROOM 613  
**ENCLOSURE:**  
 CAB1  
 CAB2  
 CAB3 (NEW)  
 REMBOX2  
 REMBOX4  
**COLOR:**  
 BLACK  
 RED  
**MOUNT:**  
 SURFACE  
 SEMI-FLUSH  
 SEMI-FLUSH WITH TRIM KIT  
**ADAPTER KITS:**  
 EXISTING RCC-3 BACK BOX  
 XLS-RCC1-ADPT (BLACK)  
 EXISTING MSE-3L BACK BOX  
 XLS-MSE3-ADPT (BLACK)  
 EXISTING MME-3 BACK BOX  
 XLS-MME3-ADPT (BLACK)  
 EXISTING MLE-6 BACK BOX  
 XLS-MLE6-ADPT (BLACK)  
**SINGLE-NODE UPLOAD (SNU) MODULE:**  
 SNU MOUNTED NEXT TO THIS ENCLOSURE  
**MONITORING-ONLY SOLUTION ASSEMBLY:**  
 MOSA MOUNTED NEXT TO THIS ENCLOSURE



**CAB-BATT BACK BOX (NEW)**  
 CAB-BATT OVERALL DIMENSIONS  
 26-1/8"W x 12"H x 8-3/8"D





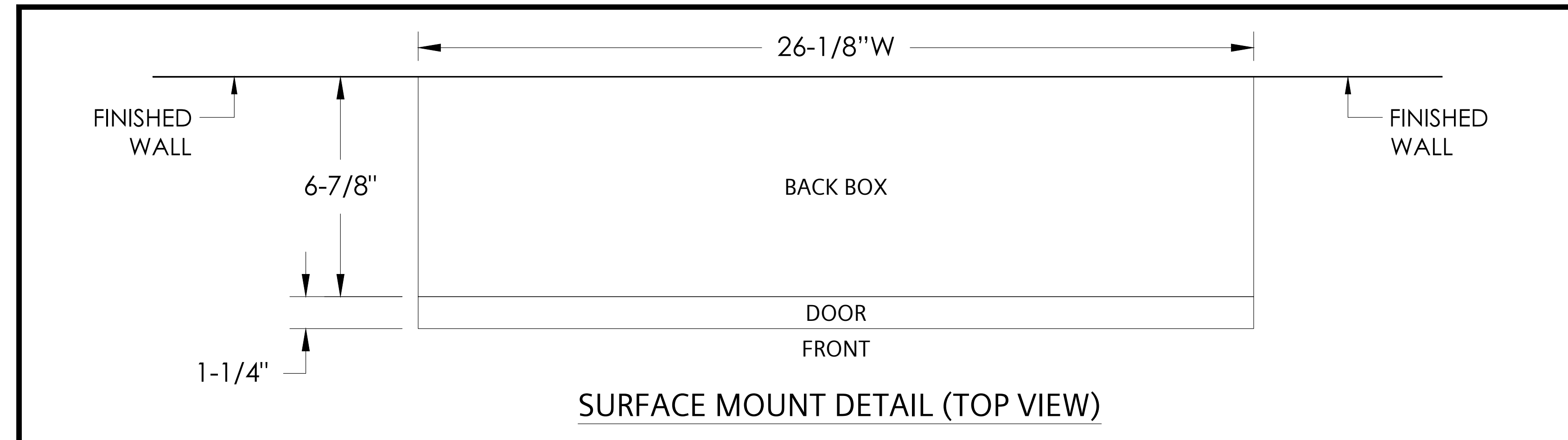
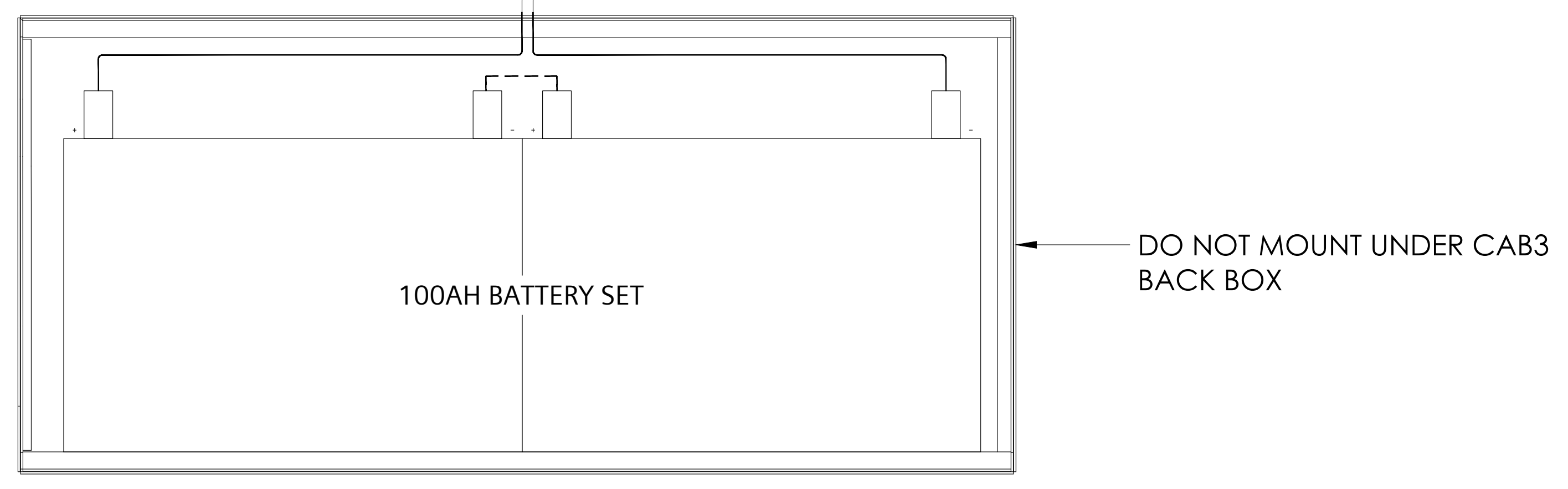
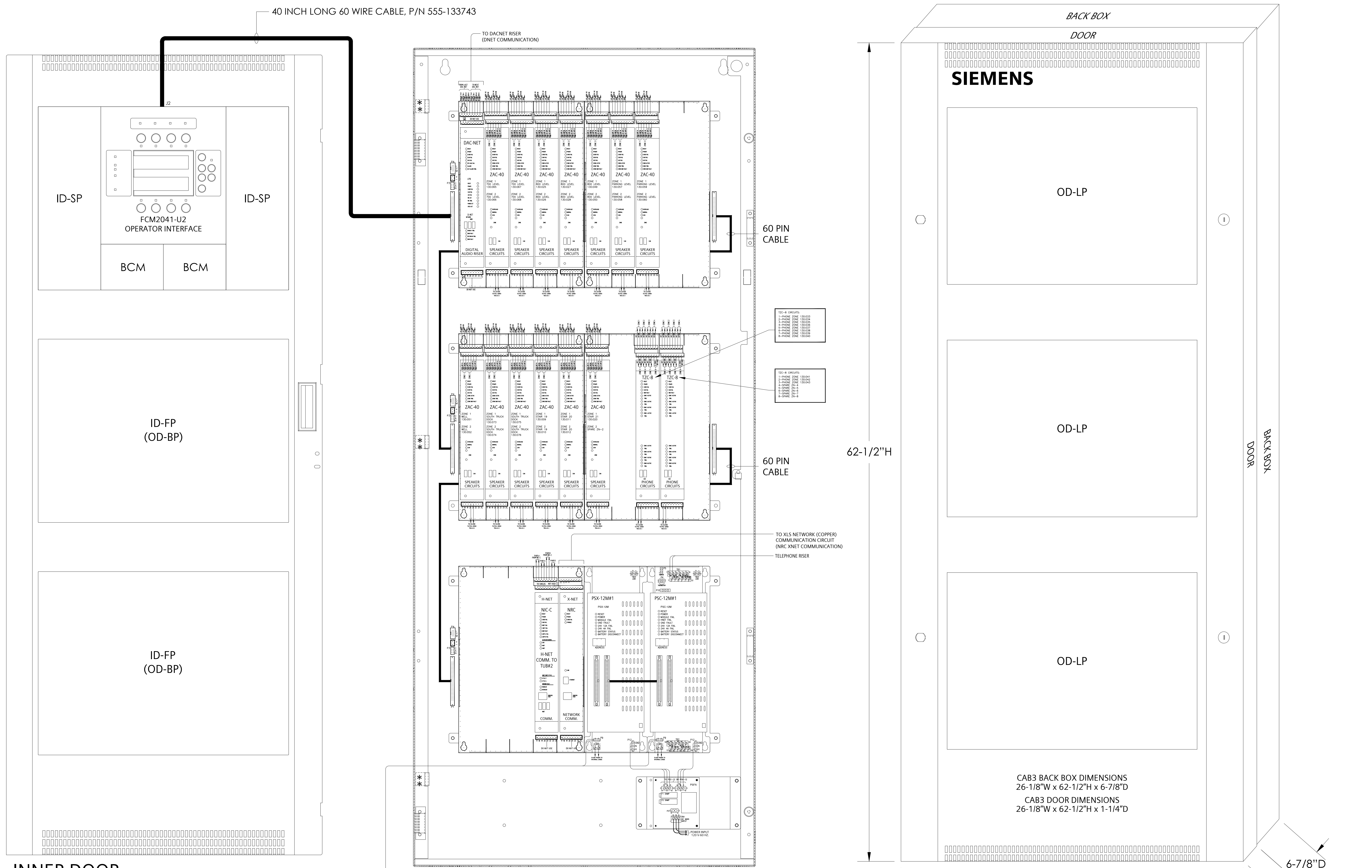
THE DRAWING AND DESIGN HEREIN SHALL NOT BE REPRODUCED, COPIED, USED OR DISCLOSED TO OTHERS FOR PROCUREMENT OR OTHER PURPOSES EXCEPT AS OTHERWISE AUTHORIZED BY CONTRACT WITHOUT WRITTEN PERMISSION OF SIEMENS INDUSTRY, INC. THE FIRE SAFETY DIVISION. ALL OTHER REPRODUCTIONS SHALL BEAR THIS NOTICE.

**REVISIONS**

No.	Revision	By	Date

NOTES:  
 ① THE NUMBER, POSITION & WIRING OF MODULES MAY CHANGE AS PER SITE CONDITIONS.  
 ② THE DOOR DEPTH IS 1-1/4".  
 ③ THESE ENCLOSURES ARE FOR INDOOR USE AND FOR DRY ENVIRONMENTS.

**PANEL DESCRIPTION:**  
**TRANSPONDER**  
 I.D.: TRANSPONDER L1-5 (TUB#1)  
 LOCATION: SOUTH BUILDING LEVEL 74.475 PARKING EAST ELECTRICAL ROOM 614  
**ENCLOSURE:**  
 CAB1  
 CAB2  
 CAB3 (NEW)  
 REMBOX2  
 REMBOX4  
**COLOUR:**  
 BLACK  
 RED  
**MOUNT:**  
 SURFACE  
 SEMI-FLUSH  
 SEMI-FLUSH WITH TRIM KIT  
**ADAPTER KITS:**  
 EXISTING RCC-3 BACK BOX  
 XLS-RCC1-ADPT (BLACK)  
 EXISTING MSE-3L BACK BOX  
 XLS-MSE3-ADPT (BLACK)  
 EXISTING MME-3 BACK BOX  
 XLS-MME3-ADPT (BLACK)  
 EXISTING MLE-6 BACK BOX  
 XLS-MLE6-ADPT (BLACK)  
**SINGLE-NODE UPLOAD (SNU) MODULE:**  
 SNU MOUNTED NEXT TO THIS ENCLOSURE  
**MONITORING-ONLY SOLUTION ASSEMBLY:**  
 MOSA MOUNTED NEXT TO THIS ENCLOSURE





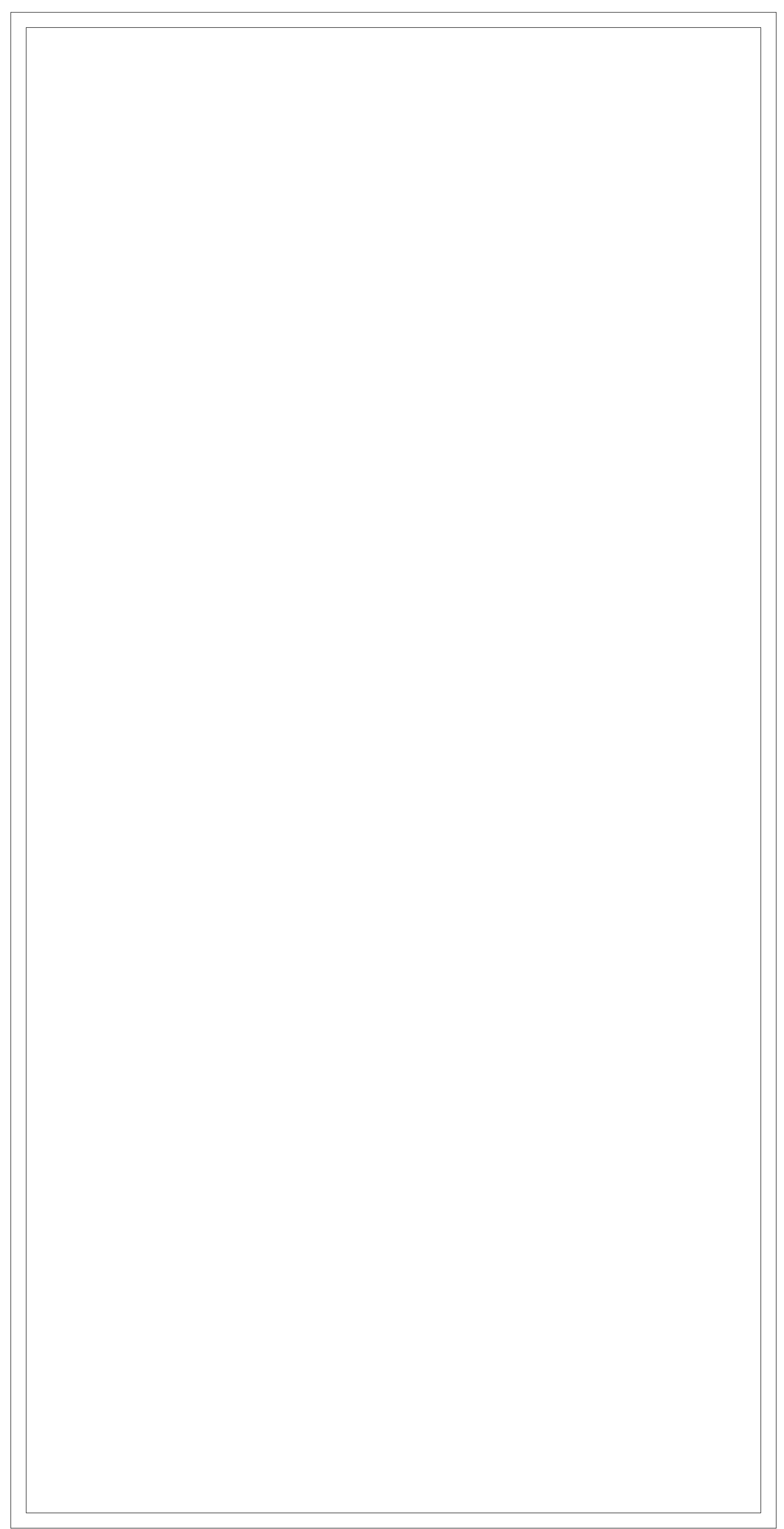
THE DRAWING AND DESIGN HEREIN SHALL NOT BE DUPLICATED, USED OR DISCLOSED TO OTHERS FOR PROCUREMENT OR OTHER PURPOSES EXCEPT AS OTHERWISE AUTHORIZED BY CONTRACT WITHOUT WRITTEN PERMISSION OF SIEMENS INDUSTRY, INC. THE FIRE SAFETY DIVISION. ALL OTHER REPRODUCTIONS SHALL BEAR THIS NOTICE.

**REVISIONS**

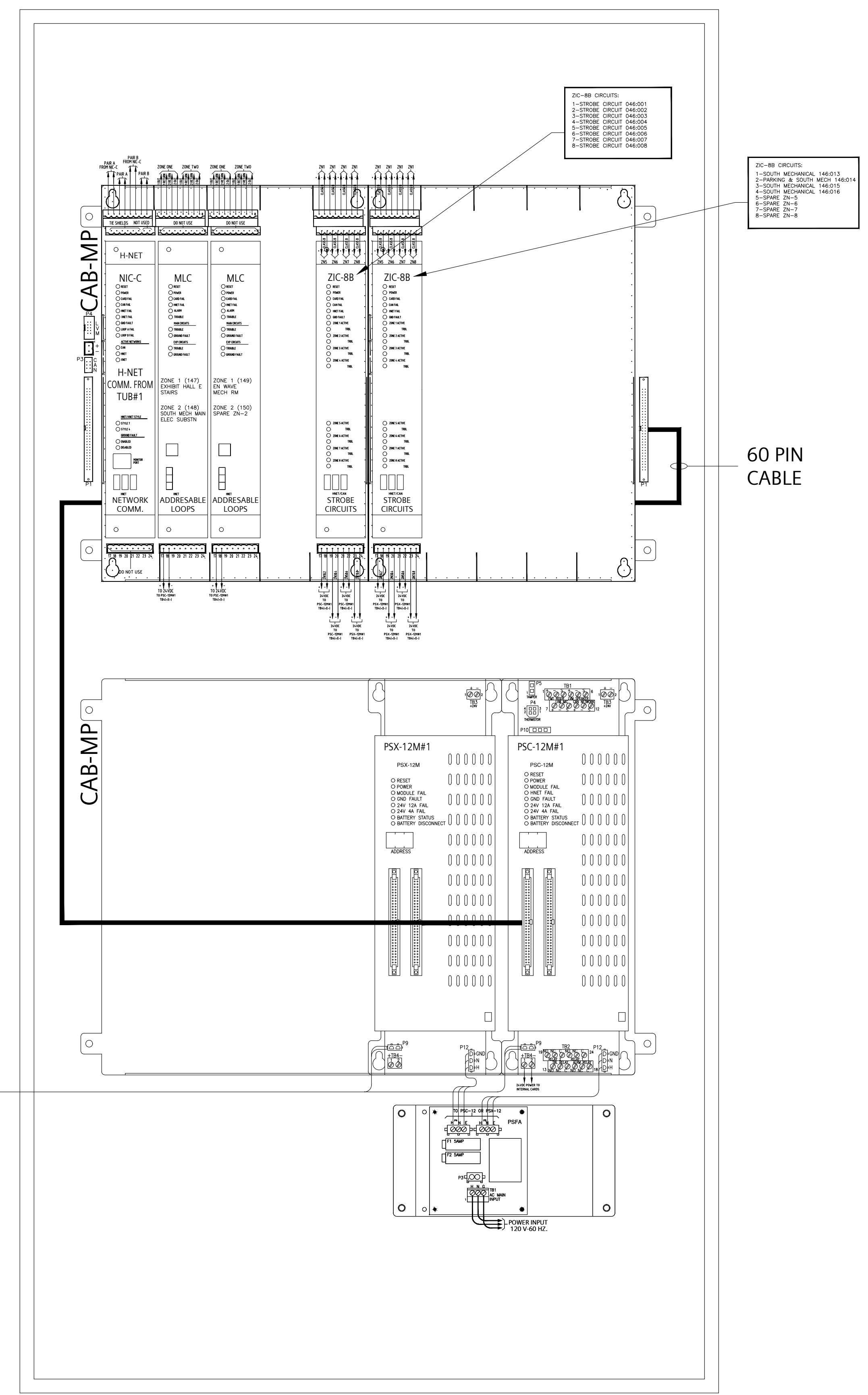
No.	Revision	By	Date

**NOTES:**  
 ① THE NUMBER, POSITION & WIRING OF MODULES MAY CHANGE AS PER SITE CONDITIONS.  
 ② THE DOOR DEPTH IS 1-1/4".  
 ③ THESE ENCLOSURES ARE FOR INDOOR USE AND FOR DRY ENVIRONMENTS.

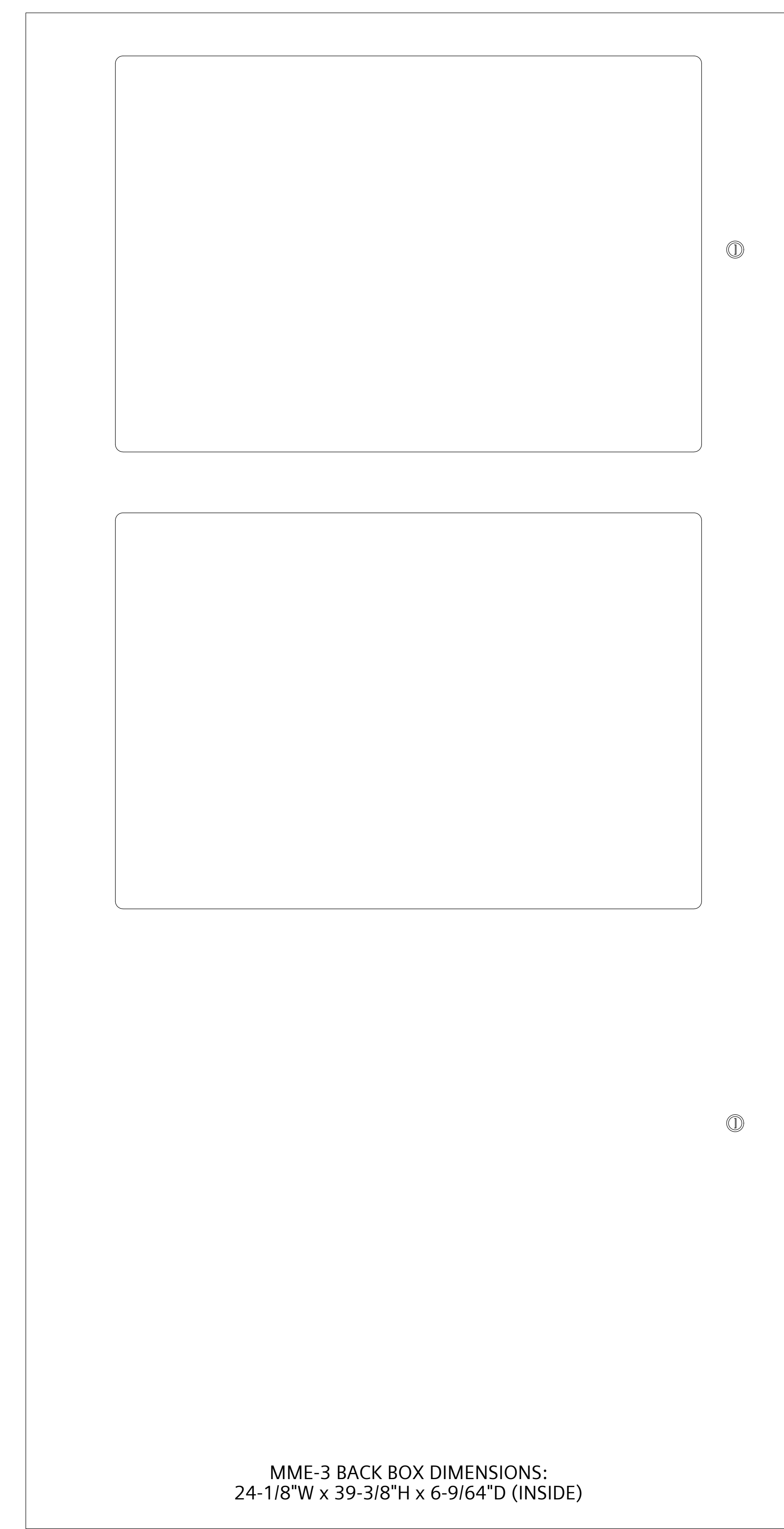
**PANEL DESCRIPTION:**  
**DATA GATHERING PANEL (DGP)**  
 I.D.:  
 TRANSPONDER L1-5 (TUB#2)  
 LOCATION:  
 SOUTH BUILDING LEVEL 74.475 PARKING EAST  
 ELECTRICAL ROOM 614  
**ENCLOSURE:**  
 CAB1  
 CAB2  
 CAB3  
 REMBOX2  
 REMBOX4  
**COLOUR:**  
 BLACK  
 RED  
**MOUNT:**  
 SURFACE  
 SEMI-FLUSH  
 SEMI-FLUSH WITH TRIM KIT  
**ADAPTER KITS:**  
 EXISTING RCC-3 BACK BOX  
 XLS-RCC1-ADPT (BLACK)  
 EXISTING MSE-3L BACK BOX  
 XLS-MSE3-ADPT (BLACK)  
 EXISTING MME-3 BACK BOX  
 XLS-MME3-ADPT (BLACK)  
 EXISTING MLE-6 BACK BOX  
 XLS-MLE6-ADPT (BLACK)  
 EXISTING MME-3 BACK BOX  
 EXISTING MLE-6 BACK BOX  
**SINGLE-NODE URLOAD (SNU) MODULE:**  
 SNU MOUNTED NEXT TO THIS ENCLOSURE  
**MONITORING-ONLY SOLUTION ASSEMBLY:**  
 MOSA MOUNTED NEXT TO THIS ENCLOSURE



INNER DOOR (EXISTING)

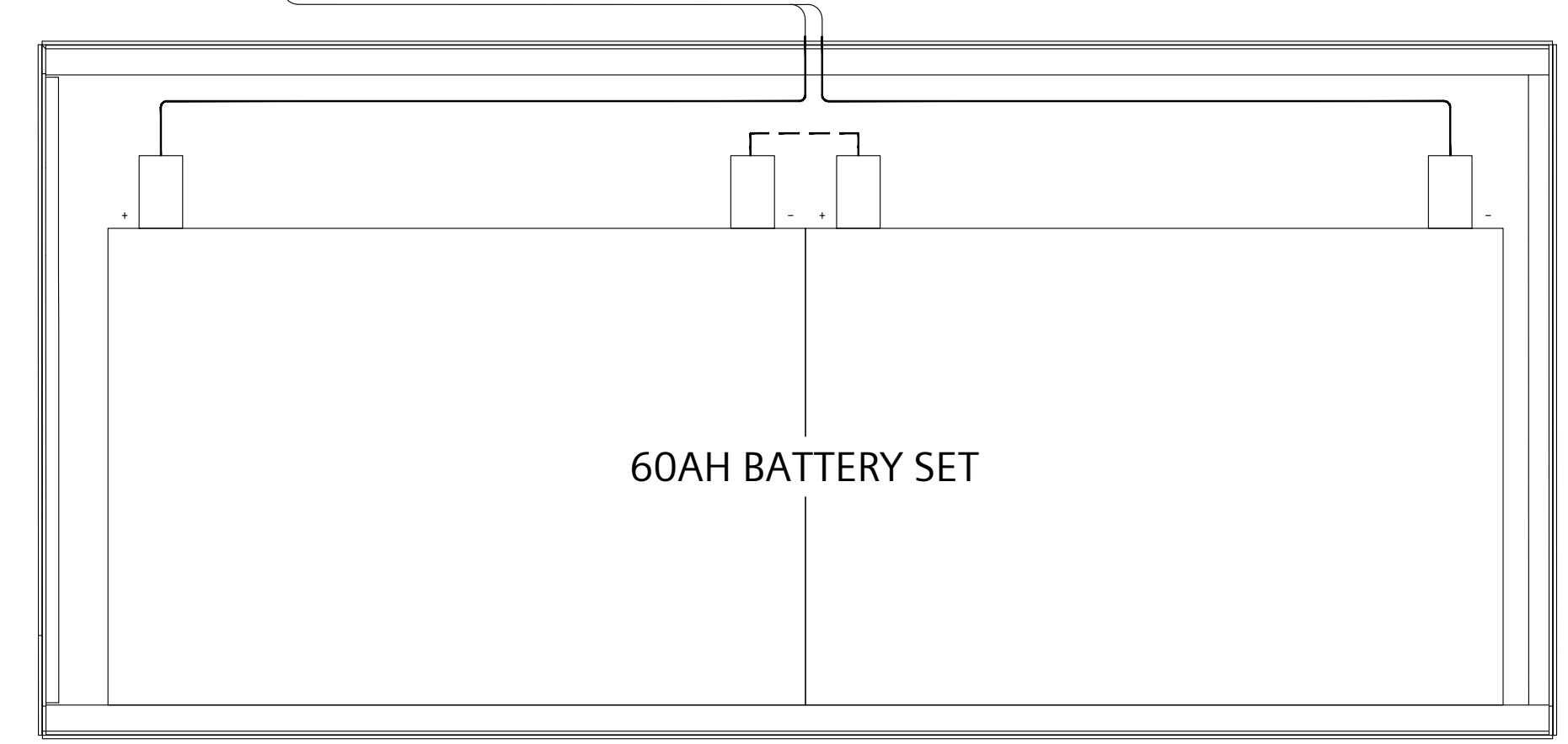


BACK BOX (EXISTING)



OUTER DOOR (EXISTING)

MME-3 BACK BOX DIMENSIONS:  
 24-1/8"W x 39-3/8"H x 6-9/64"D (INSIDE)



CAB-BATT BACK BOX (NEW) CAB-BATT OVERALL DIMENSIONS  
 26-1/8"W x 12"H x 8-3/8"D



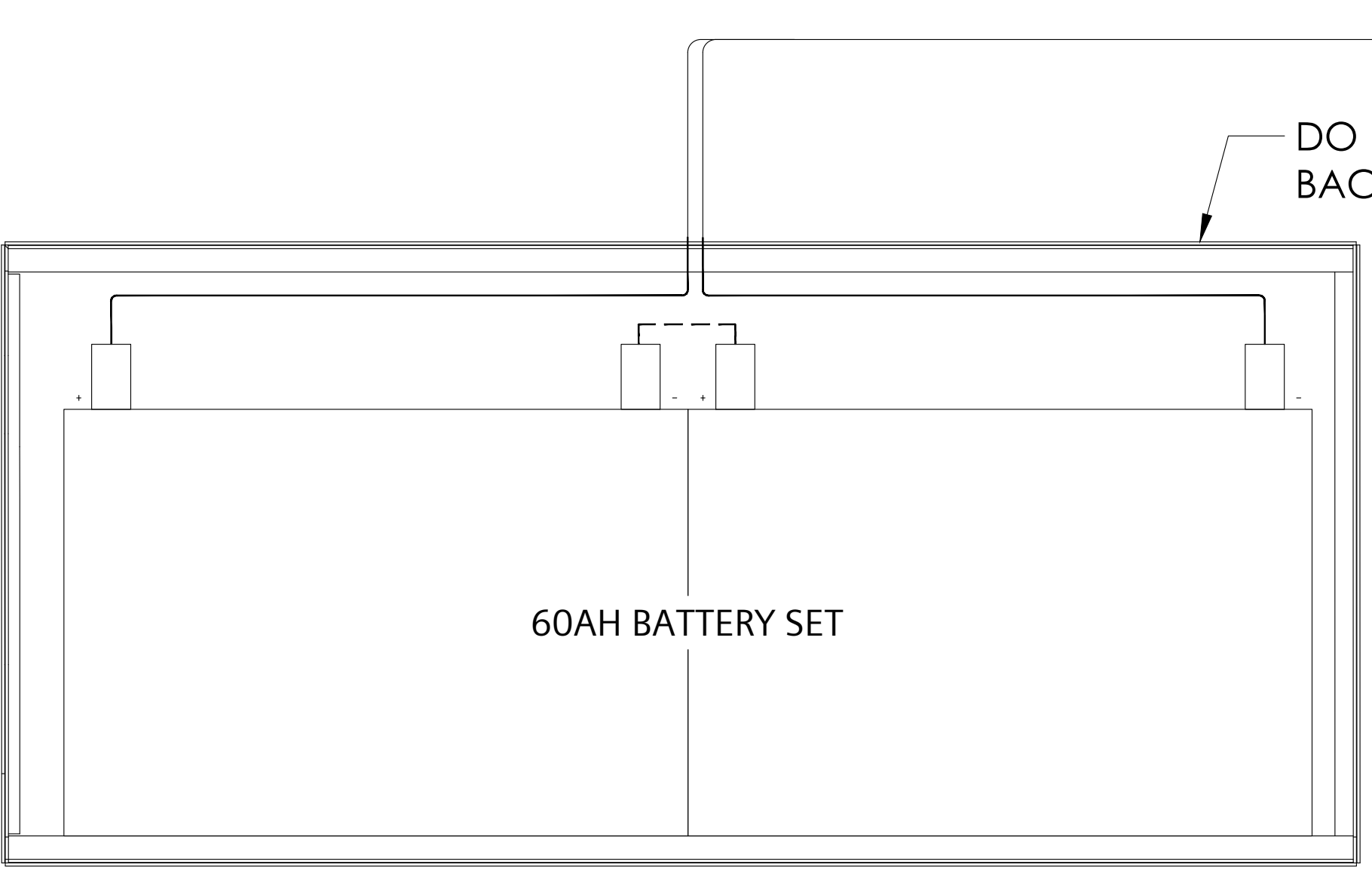
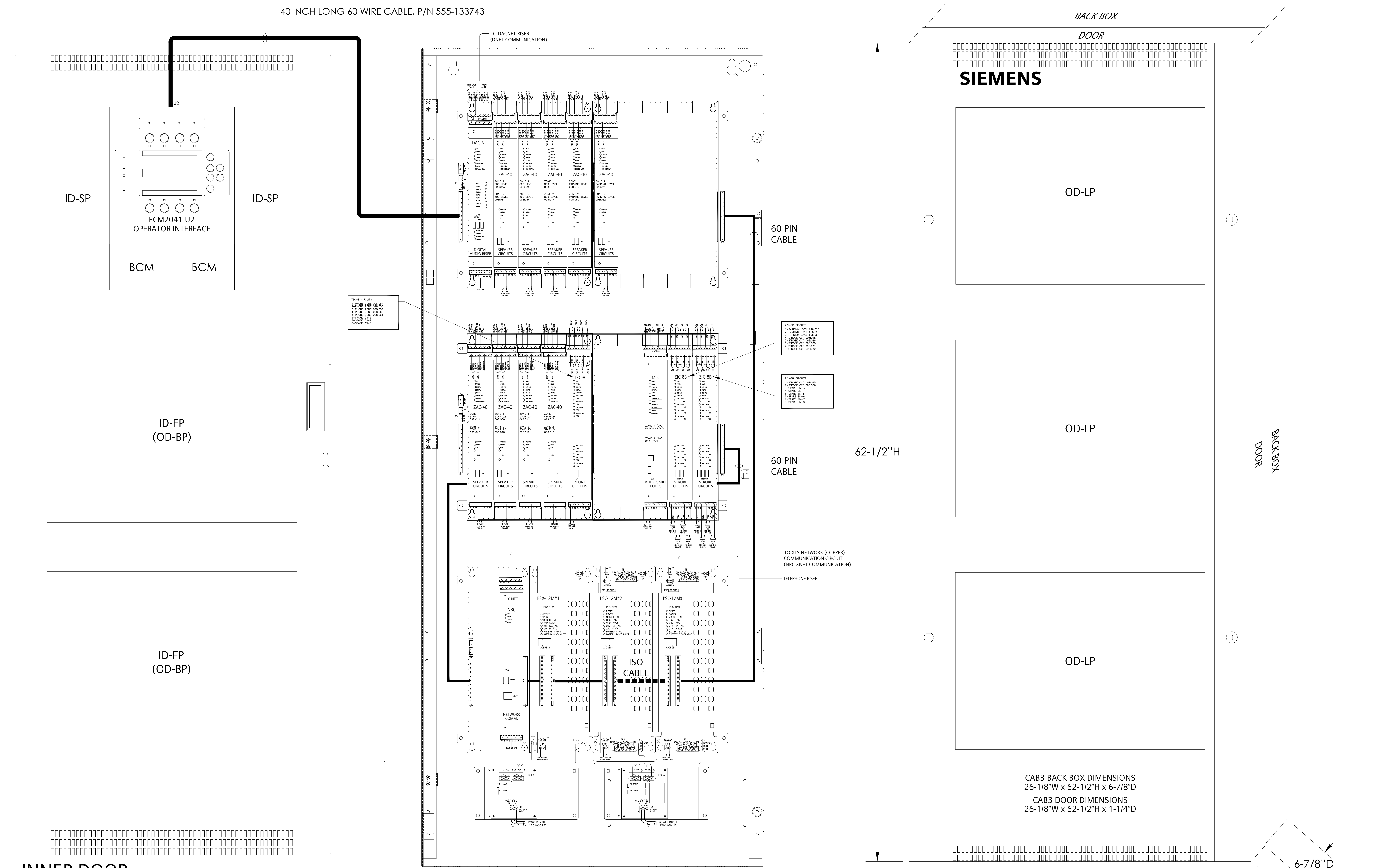
THE DRAWING AND DESIGN HEREIN SHALL NOT BE DUPLICATED, USED OR DISCLOSED TO OTHERS FOR PROCUREMENT OR OTHER PURPOSES (EXCEPT AS OTHERWISE AUTHORIZED BY CONTRACT) WITHOUT WRITTEN PERMISSION OF SIEMENS INDUSTRY, INC. THE FIRE SAFETY DIVISION. ALL OTHER REPRODUCTIONS SHALL BEAR THIS NOTICE.

**REVISIONS**

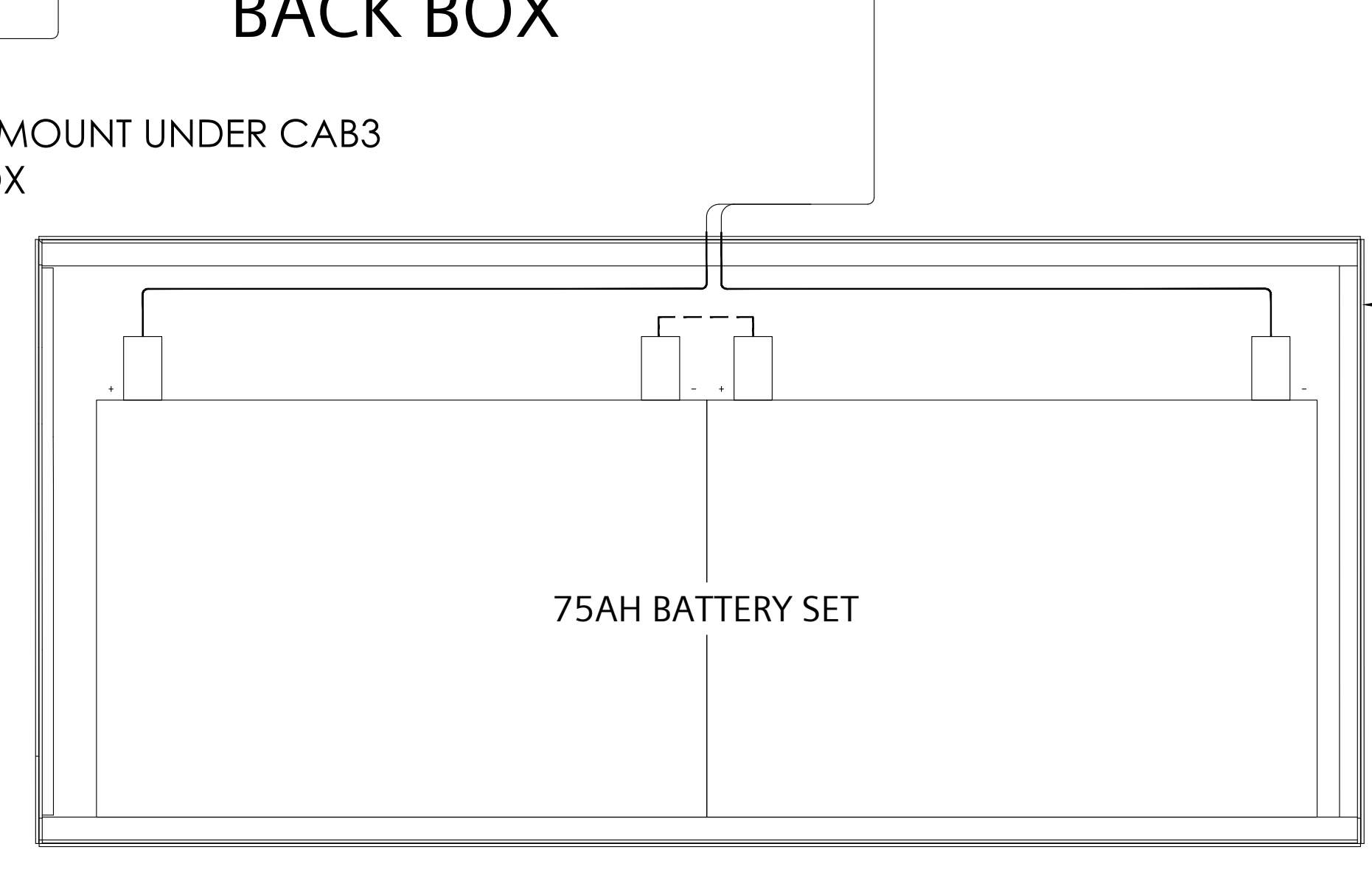
No.	Revision	By	Date

NOTES:  
 ① THE NUMBER, POSITION & WIRING OF MODULES MAY CHANGE AS PER SITE CONDITIONS.  
 ② THE DOOR DEPTH IS 1-1/4".  
 ③ THESE ENCLOSURES ARE FOR INDOOR USE AND FOR DRY ENVIRONMENTS.

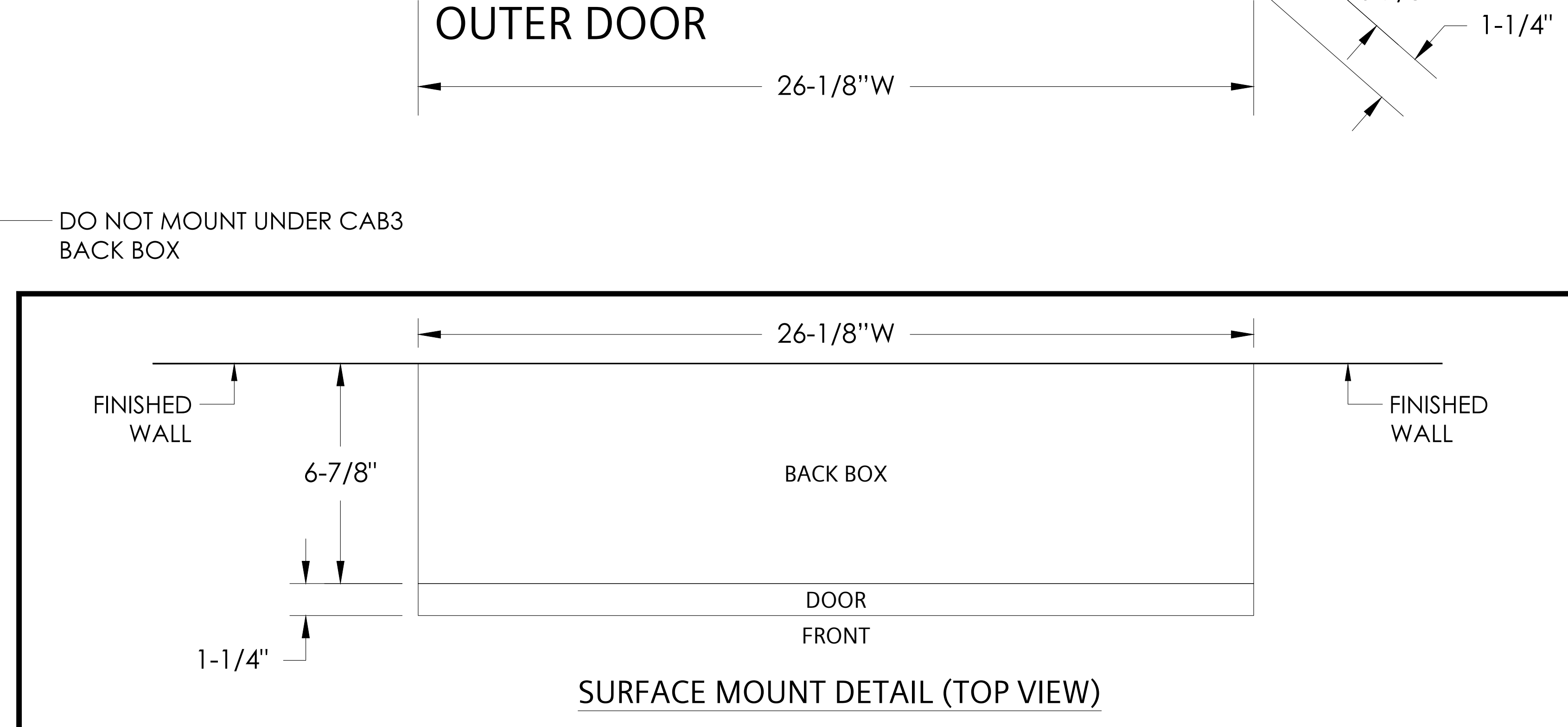
**PANEL DESCRIPTION:**  
 TRANSPONDER  
 I.D.: TRANSPONDER L1-W  
 LOCATION: SOUTH BUILDING LEVEL 74.475 PARKING WEST ELECTRICAL ROOM 626  
**ENCLOSURE:**  
 CAB1  
 CAB2  
 CAB3 (NEW)  
 REMBOX2  
 REMBOX4  
**COLOR:**  
 BLACK  
 RED  
**MOUNT:**  
 SURFACE  
 SEMI-FLUSH  
 SEMI-FLUSH WITH TRIM KIT  
**ADAPTER KITS:**  
 EXISTING RCC-3 BACK BOX  
 XLS-RCC1-ADPT (BLACK)  
 EXISTING MSE-3L BACK BOX  
 XLS-MSE3-ADPT (BLACK)  
 EXISTING MME-3 BACK BOX  
 XLS-MME3-ADPT (BLACK)  
 EXISTING MLE-6 BACK BOX  
 XLS-MLE6-ADPT (BLACK)  
**SINGLE-NODE UPLOAD (SNU) MODULE:**  
 SNU MOUNTED NEXT TO THIS ENCLOSURE  
**MONITORING-ONLY SOLUTION ASSEMBLY:**  
 MOSA MOUNTED NEXT TO THIS ENCLOSURE



**CAB-BATT BACK BOX (NEW)**  
 CAB-BATT OVERALL DIMENSIONS  
 26-1/8"W x 12"H x 8-3/8"D



**CAB-BATT BACK BOX (NEW)**  
 CAB-BATT OVERALL DIMENSIONS  
 26-1/8"W x 12"H x 8-3/8"D



PRODUCT MANUFACTURER:  
**SIEMENS**  
 SIEMENS CANADA LIMITED  
 SMART INFRASTRUCTURE  
 TORONTO BRANCH  
 1577 NORTH SERVICE ROAD EAST  
 OAKVILLE, ON L6H 0H6  
 Tel 905.465.7208 Fax 905.465.8167

JOB NAME & LOCATION:  
**METRO TORONTO CONVENTION CENTRE SOUTH BUILDING FIRE ALARM MODERNIZATION**  
 222 BRENNER BOULEVARD,  
 TORONTO, ON

SHEET CONTENTS:  
**TRANSPONDER L1-W PANEL LAYOUT**

**DESIGO FIRE SAFETY MODULAR SYSTEM**  
 SYSTEM SALES REP: RYAN BROCKWAY  
 PROJECT MANAGER: MAXIM VELIKYI  
 DRAWN BY: REMO MARTIGNAGO  
 CHECKED BY:  
 SCALE: NTS  
 DATE DRAWN: APRIL 15, 2024  
 SHEET NUMBER: E-FA-PNL-08  
 SIEMENS JOB NUMBER: J-SI-07733



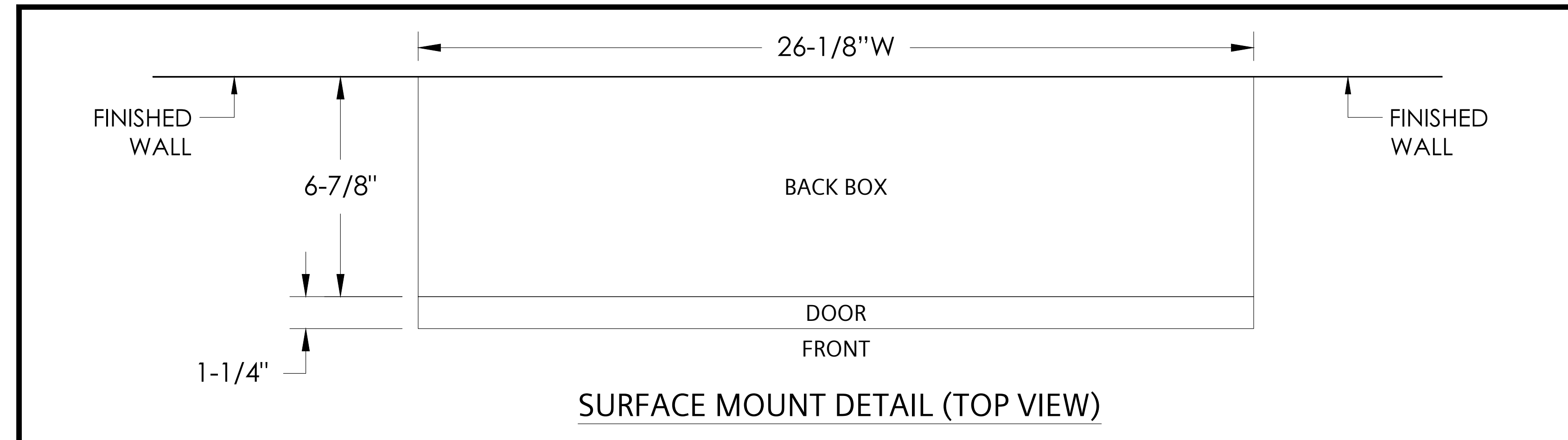
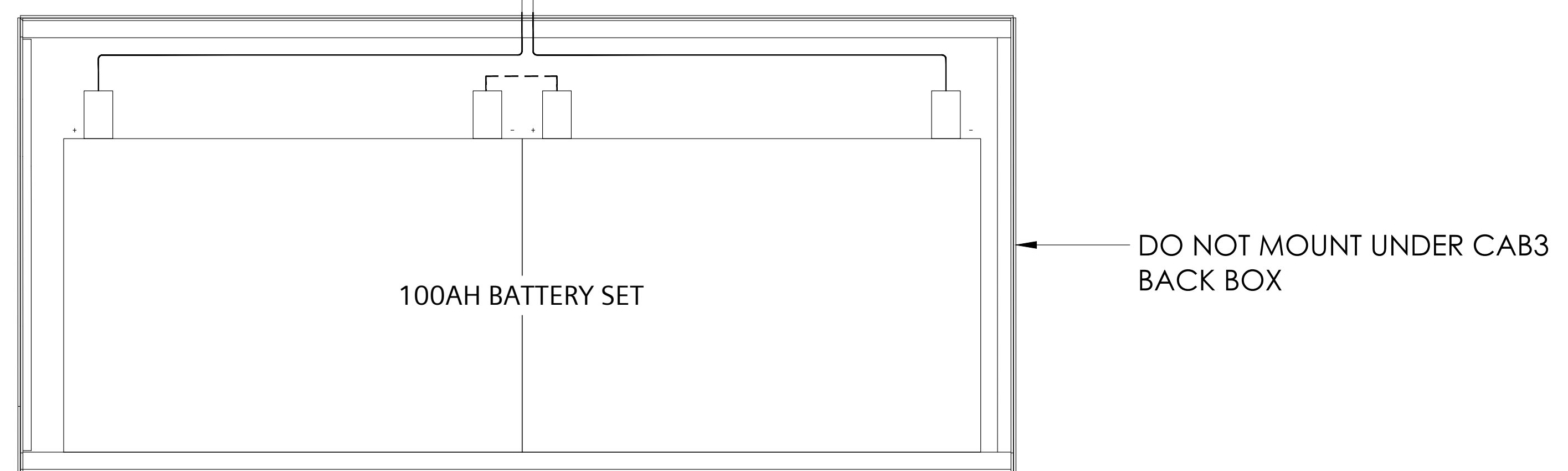
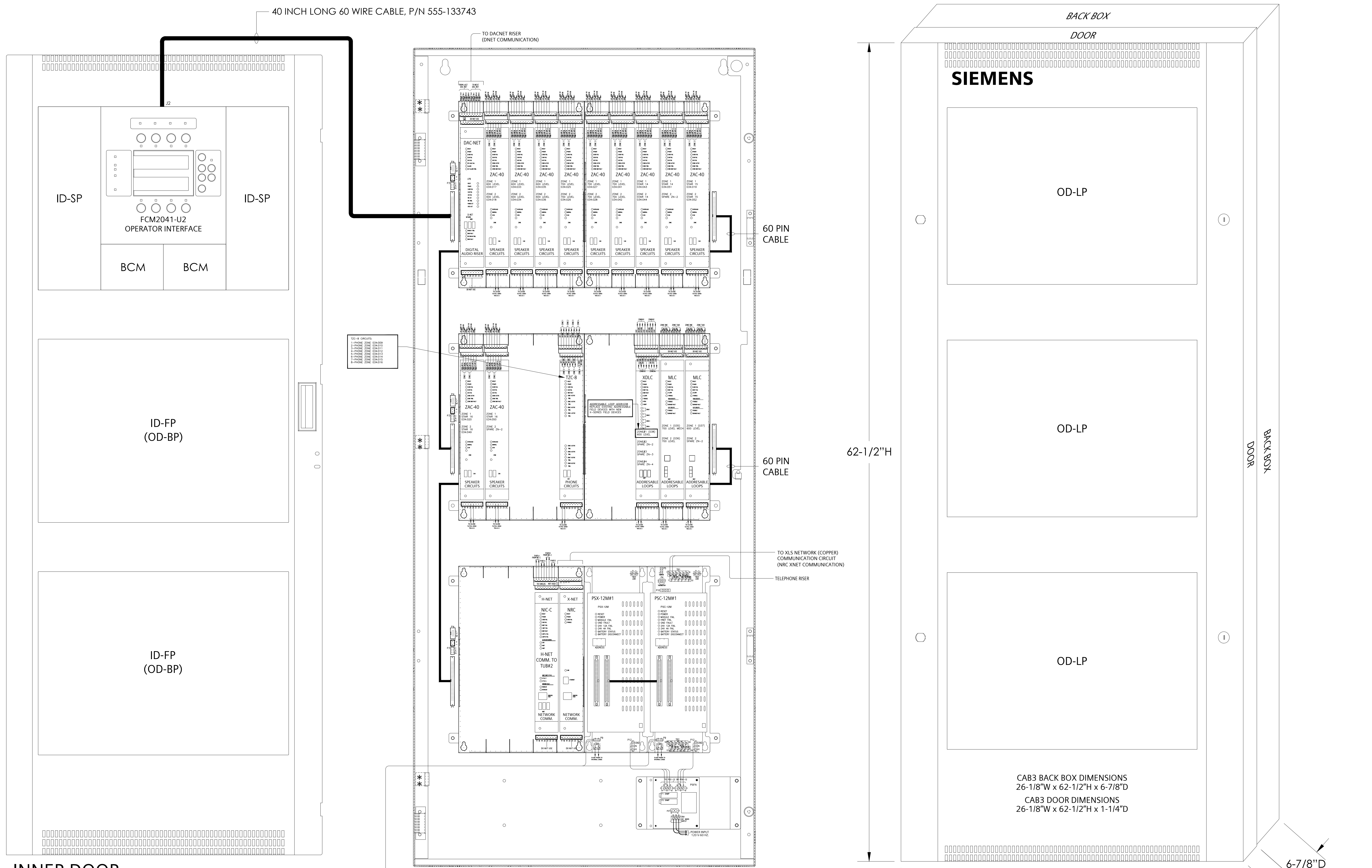
THE DRAWING AND DESIGN HEREIN SHALL NOT BE DUPLICATED, USED OR DISCLOSED TO OTHERS FOR PROCUREMENT OR OTHER PURPOSES EXCEPT AS OTHERWISE AUTHORIZED BY CONTRACT WITHOUT WRITTEN PERMISSION OF SIEMENS INDUSTRY, INC. THE FIRE SAFETY DIVISION. ALL OTHER REPRODUCTIONS SHALL BEAR THIS NOTICE.

**REVISIONS**

No.	Revision	By	Date

NOTES:  
 ① THE NUMBER, POSITION & WIRING OF MODULES MAY CHANGE AS PER SITE CONDITIONS.  
 ② THE DOOR DEPTH IS 1-1/4".  
 ③ THESE ENCLOSURES ARE FOR INDOOR USE AND FOR DRY ENVIRONMENTS.

**PANEL DESCRIPTION:**  
**TRANSPONDER**  
 I.D.: TRANSPONDER L2-NE (TUB#1)  
 LOCATION: SOUTH BUILDING LEVEL 68.20 NORTH ELECTRICAL ROOM 724A  
**ENCLOSURE:**  
 CAB1  
 CAB2  
 CAB3 (NEW)  
 REMBOX2  
 REMBOX4  
**COLOUR:**  
 BLACK  
 RED  
**MOUNT:**  
 SURFACE  
 SEMI-FLUSH  
 SEMI-FLUSH WITH TRIM KIT  
**ADAPTER KITS:**  
 EXISTING RCC-3 BACK BOX  
 XLS-RCC1-ADPT (BLACK)  
 EXISTING MSE-3L BACK BOX  
 XLS-MSE3-ADPT (BLACK)  
 EXISTING MME-3 BACK BOX  
 XLS-MME3-ADPT (BLACK)  
 EXISTING MLE-6 BACK BOX  
 XLS-MLE6-ADPT (BLACK)  
**SINGLE-NODE UPLOAD (SNU) MODULE:**  
 SNU MOUNTED NEXT TO THIS ENCLOSURE  
**MONITORING-ONLY SOLUTION ASSEMBLY:**  
 MOSA MOUNTED NEXT TO THIS ENCLOSURE





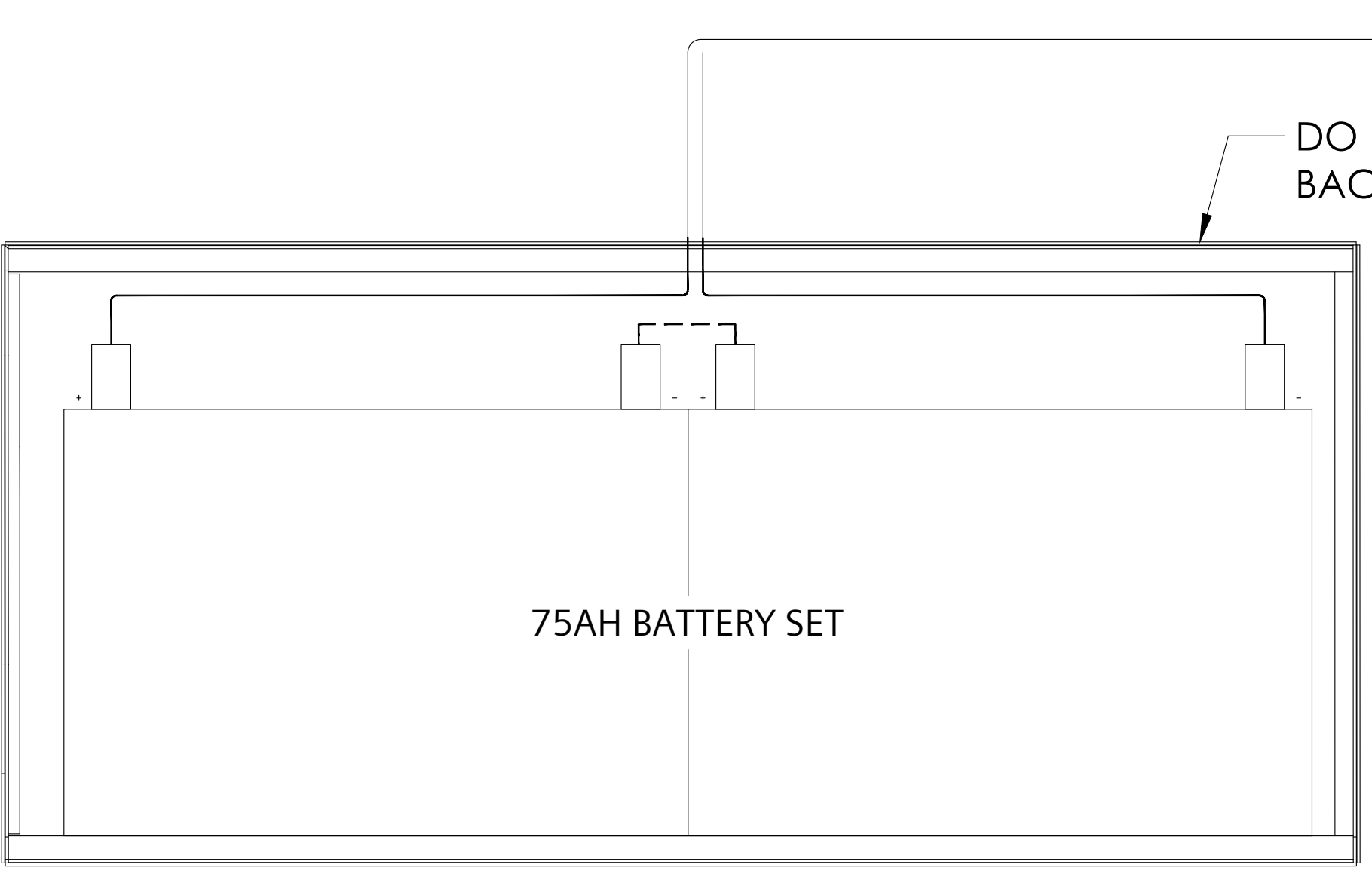
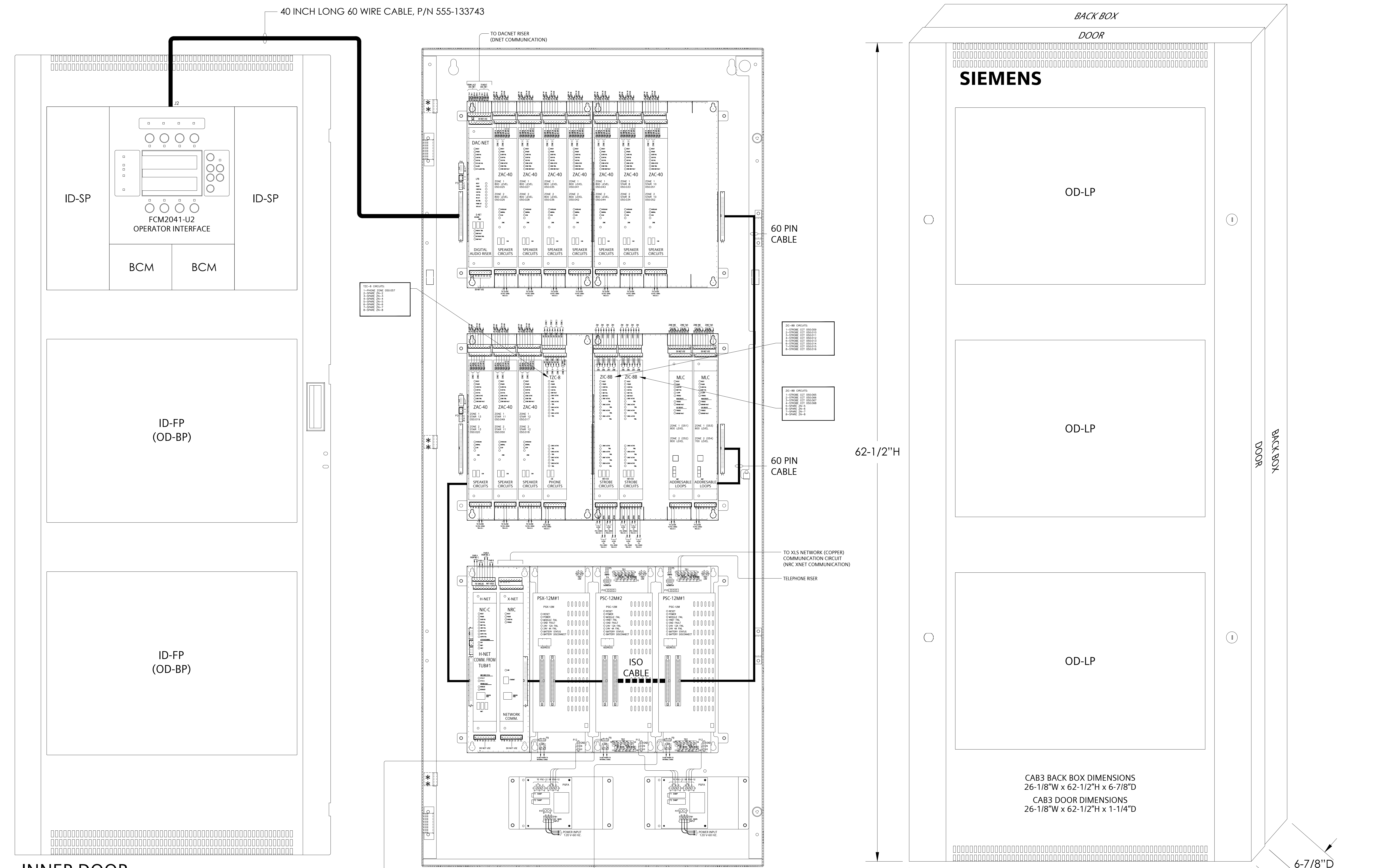
THIS DRAWING AND DESIGN HEREIN SHALL NOT BE REPRODUCED, COPIED, OR DISCLOSED TO OTHERS FOR PROCUREMENT OR OTHER PURPOSES EXCEPT AS OTHERWISE AUTHORIZED BY CONTRACT WITHOUT WRITTEN PERMISSION OF SIEMENS INDUSTRY, INC. THE FIRE SAFETY DIVISION. ALL OTHER REPRODUCTIONS SHALL BEAR THIS NOTICE.

**REVISIONS**

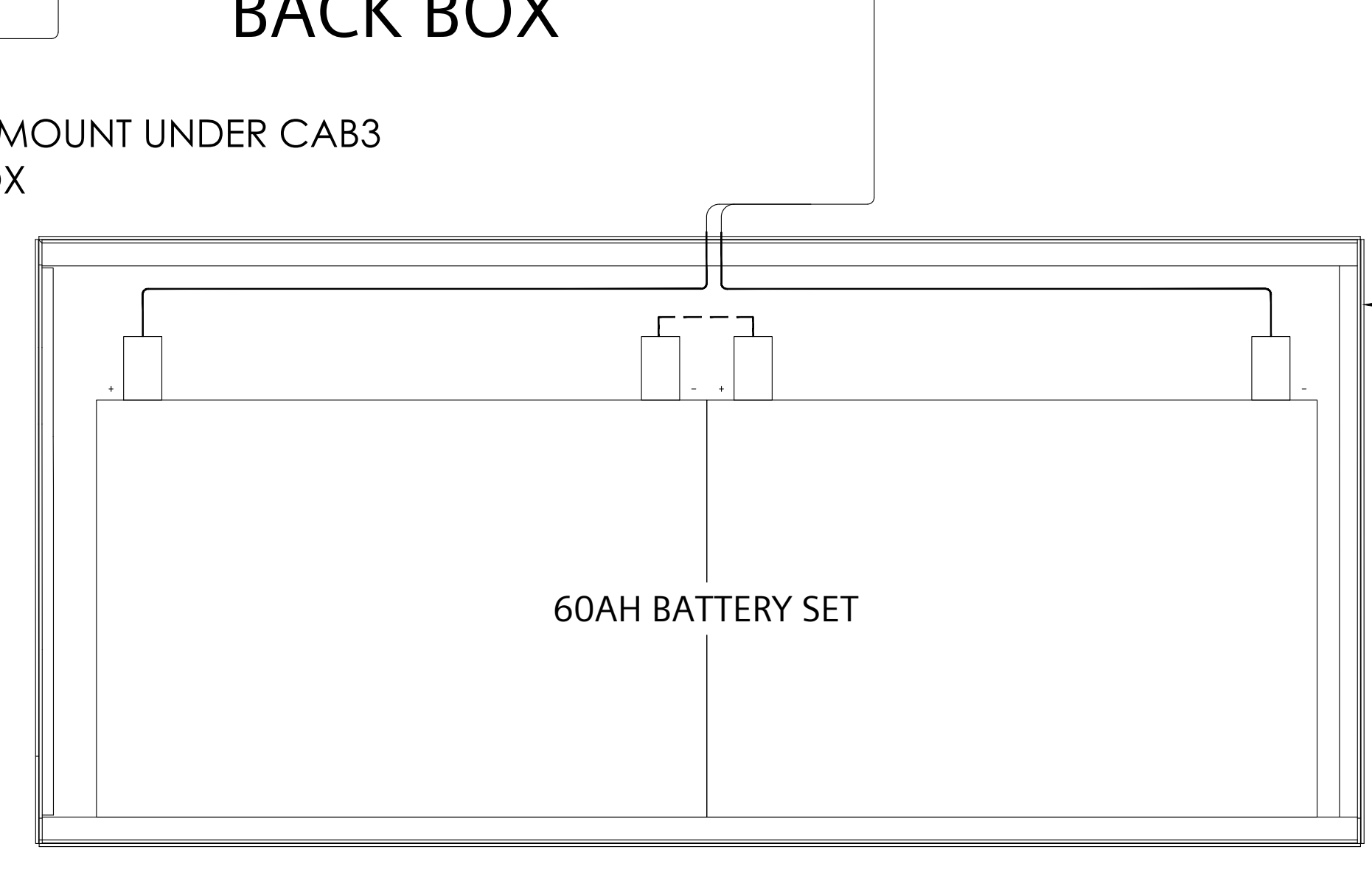
No.	Revision	By	Date

**NOTES:**  
 ① THE NUMBER, POSITION & WIRING OF MODULES MAY CHANGE AS PER SITE CONDITIONS.  
 ② THE DOOR DEPTH IS 1-1/4".  
 ③ THESE ENCLOSURES ARE FOR INDOOR USE AND FOR DRY ENVIRONMENTS.

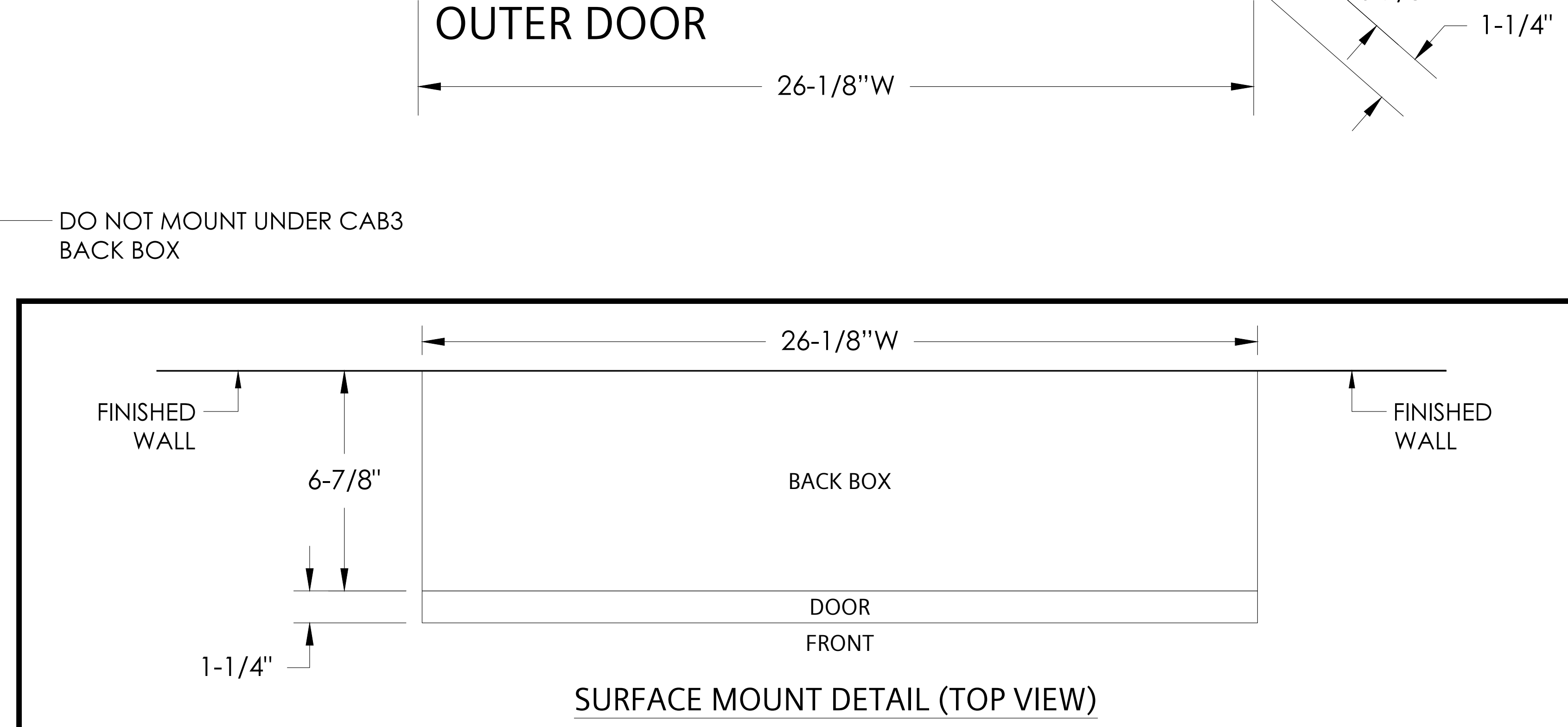
**PANEL DESCRIPTION:**  
**TRANSPONDER**  
 I.D.: TRANSPONDER L2-NE (TUB#2)  
 LOCATION: SOUTH BUILDING LEVEL 68.20 NORTH ELECTRICAL ROOM 724A  
**ENCLOSURE:**  
 CAB1  
 CAB2  
 CAB3 (NEW)  
 REMBOX2  
 REMBOX4  
**COLOUR:**  
 BLACK  
 RED  
**MOUNT:**  
 SURFACE  
 SEMI-FLUSH  
 SEMI-FLUSH WITH TRIM KIT  
**ADAPTER KITS:**  
 EXISTING RCC-3 BACK BOX  
 XLS-RCC1-ADPT (BLACK)  
 EXISTING MSE-3L BACK BOX  
 XLS-MSE3-ADPT (BLACK)  
 EXISTING NME-3 BACK BOX  
 XLS-NME3-ADPT (BLACK)  
 EXISTING MLE-6 BACK BOX  
 XLS-MLE6-ADPT (BLACK)  
**SINGLE-NODE UPLOAD (SNU) MODULE:**  
 SNU MOUNTED NEXT TO THIS ENCLOSURE  
**MONITORING-ONLY SOLUTION ASSEMBLY:**  
 MOSA MOUNTED NEXT TO THIS ENCLOSURE



**CAB-BATT BACK BOX (NEW)**  
 CAB-BATT OVERALL DIMENSIONS  
 26-1/8"W x 12"H x 8-3/8"D



**CAB-BATT BACK BOX (NEW)**  
 CAB-BATT OVERALL DIMENSIONS  
 26-1/8"W x 12"H x 8-3/8"D



**PRODUCT MANUFACTURER:**  
**SIEMENS**  
 SIEMENS CANADA LIMITED  
 SMART INFRASTRUCTURE  
 TORONTO BRANCH  
 1577 NORTH SERVICE ROAD EAST  
 OAKVILLE, ON L6H 0H6  
 Tel 905.465.7208 Fax 905.465.8167

**JOB NAME & LOCATION:**  
**METRO TORONTO CONVENTION CENTRE**  
**SOUTH BUILDING**  
**FIRE ALARM MODERNIZATION**  
 222 BRENNER BOULEVARD,  
 TORONTO, ON

**SHEET CONTENTS:**  
**TRANSPONDER L2-NE (TUB#2)**  
**PANEL LAYOUT**

**DESIGO FIRE SAFETY MODULAR SYSTEM**  
 SYSTEM SALES REP: RYAN BROCKWAY  
 PROJECT MANAGER: MAXIM VELIKIY  
 DRAWN BY: REMO MARTIGNAGO  
 CHECKED BY:  
 SCALE: NTS  
 DATE DRAWN: APRIL 15, 2024  
 SHEET NUMBER: E-FA-PNL-10  
 SIEMENS JOB NUMBER: J-SI-07733



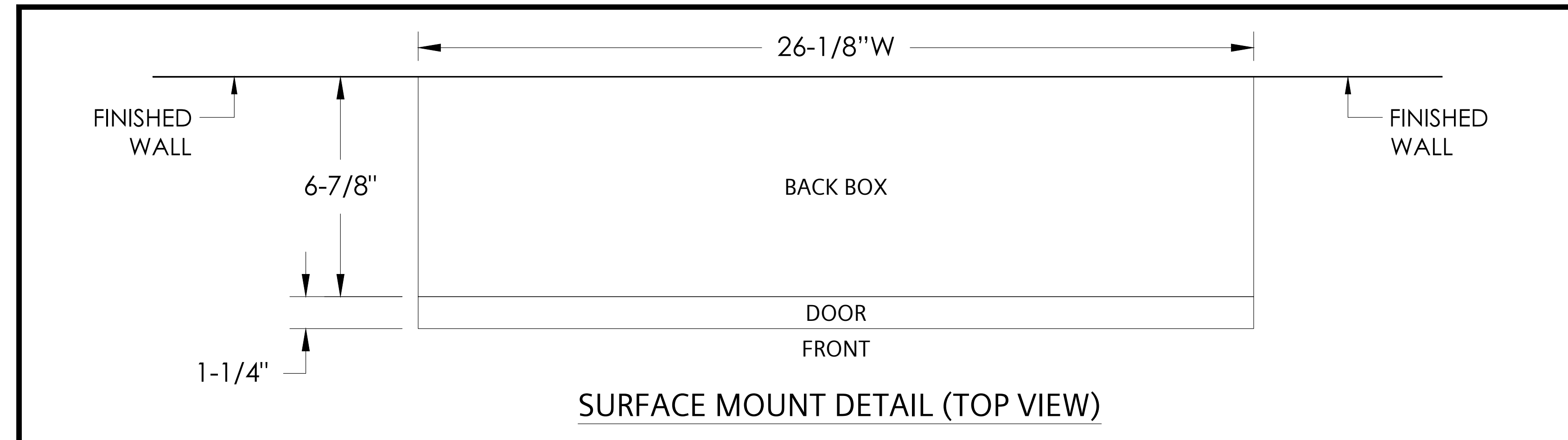
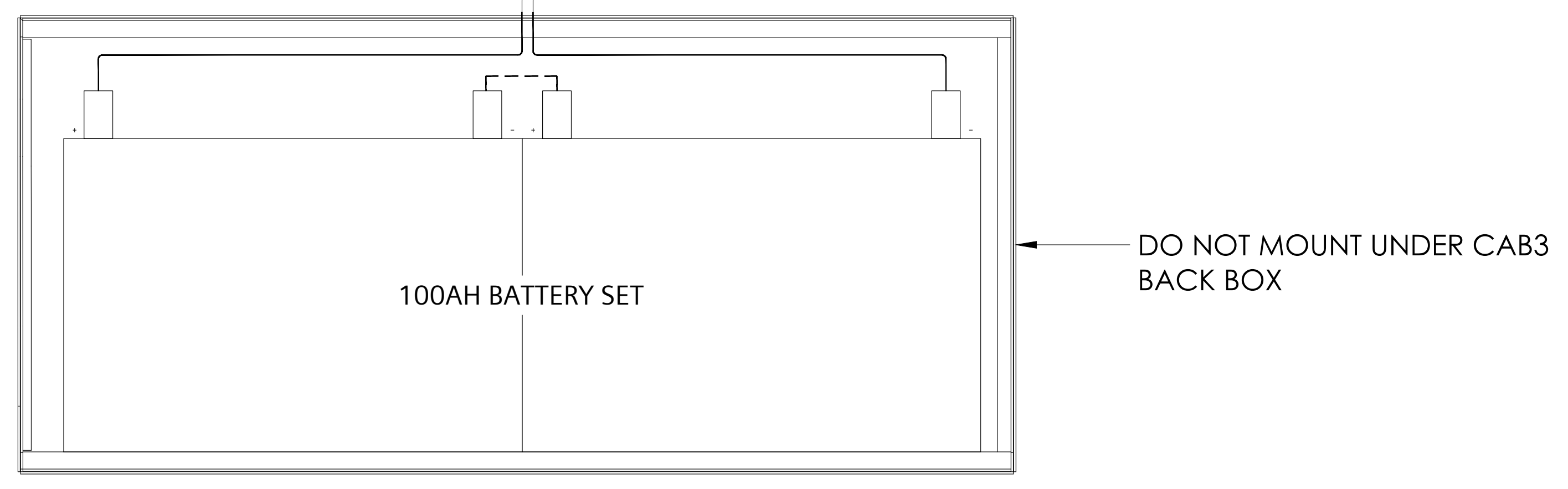
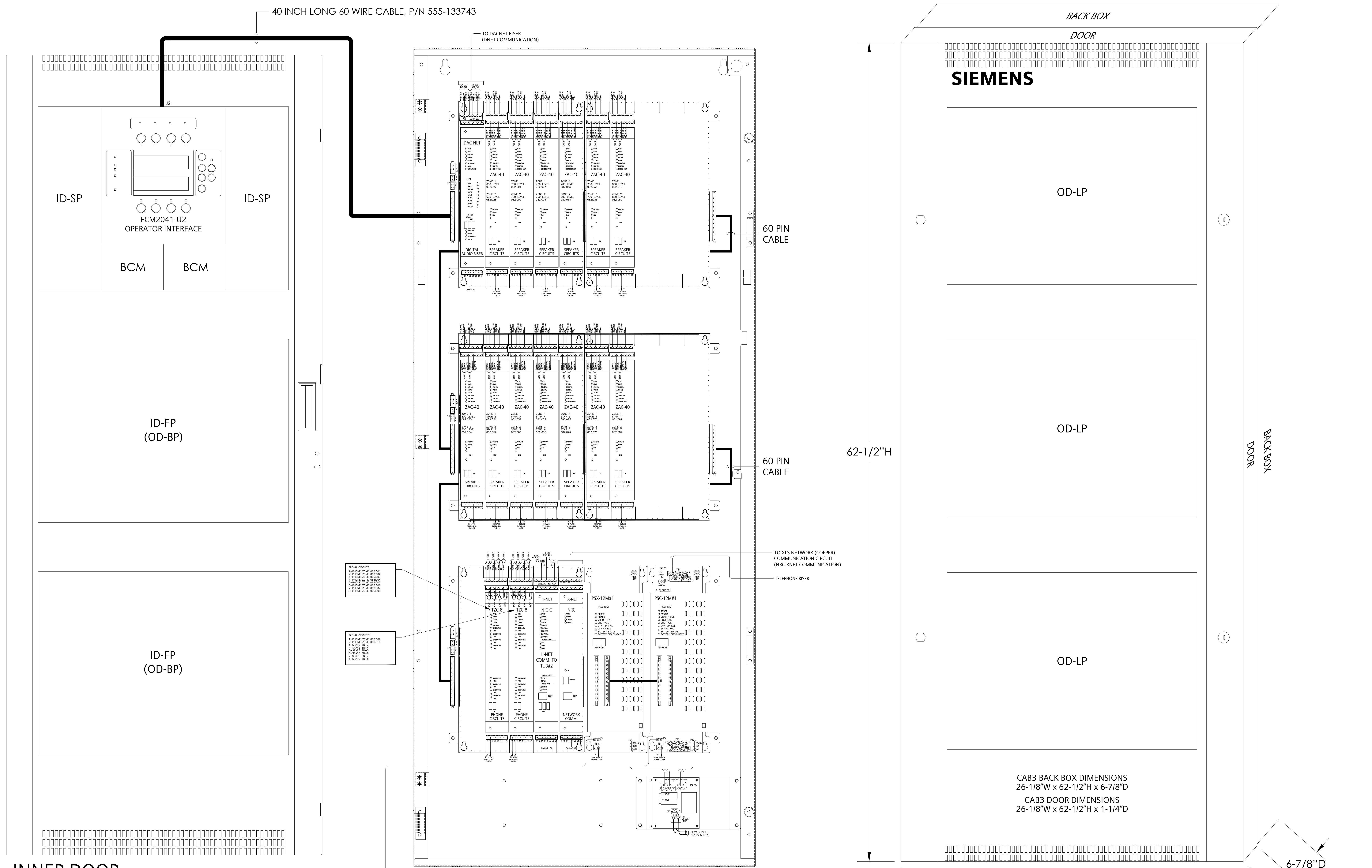
THE DRAWING AND DESIGN HEREIN SHALL NOT BE REPRODUCED, COPIED, OR DISCLOSED TO OTHERS FOR PROCUREMENT OR OTHER PURPOSES EXCEPT AS OTHERWISE AUTHORIZED BY CONTRACT WITHOUT WRITTEN PERMISSION OF SIEMENS INDUSTRY, INC. THE FIRE SAFETY DIVISION. ALL OTHER REPRODUCTIONS SHALL BEAR THIS NOTICE.

**REVISIONS**

No.	Revision	By	Date

**NOTES:**  
 ① THE NUMBER, POSITION & WIRING OF MODULES MAY CHANGE AS PER SITE CONDITIONS.  
 ② THE DOOR DEPTH IS 1-1/4".  
 ③ THESE ENCLOSURES ARE FOR INDOOR USE AND FOR DRY ENVIRONMENTS.

**PANEL DESCRIPTION:**  
**TRANSPONDER**  
 I.D.: TRANSPONDER L2-NW (TUB#1)  
 LOCATION: SOUTH BUILDING LEVEL 68.20 WEST ELECTRICAL ROOM 725  
**ENCLOSURE:**  
 CAB1  
 CAB2  
 CAB3 (NEW)  
 REMBOX2  
 REMBOX4  
**COLOUR:**  
 BLACK  
 RED  
**MOUNT:**  
 SURFACE  
 SEMI-FLUSH  
 SEMI-FLUSH WITH TRIM KIT  
**ADAPTER KITS:**  
 EXISTING RCC-3 BACK BOX  
 XLS-RCC1-ADPT (BLACK)  
 EXISTING MSE-3L BACK BOX  
 XLS-MSE3-ADPT (BLACK)  
 EXISTING MME-3 BACK BOX  
 XLS-MME3-ADPT (BLACK)  
 EXISTING MLE-6 BACK BOX  
 XLS-MLE6-ADPT (BLACK)  
**SINGLE-NODE UPLOAD (SNU) MODULE:**  
 SNU MOUNTED NEXT TO THIS ENCLOSURE  
**MONITORING-ONLY SOLUTION ASSEMBLY:**  
 MOSA MOUNTED NEXT TO THIS ENCLOSURE





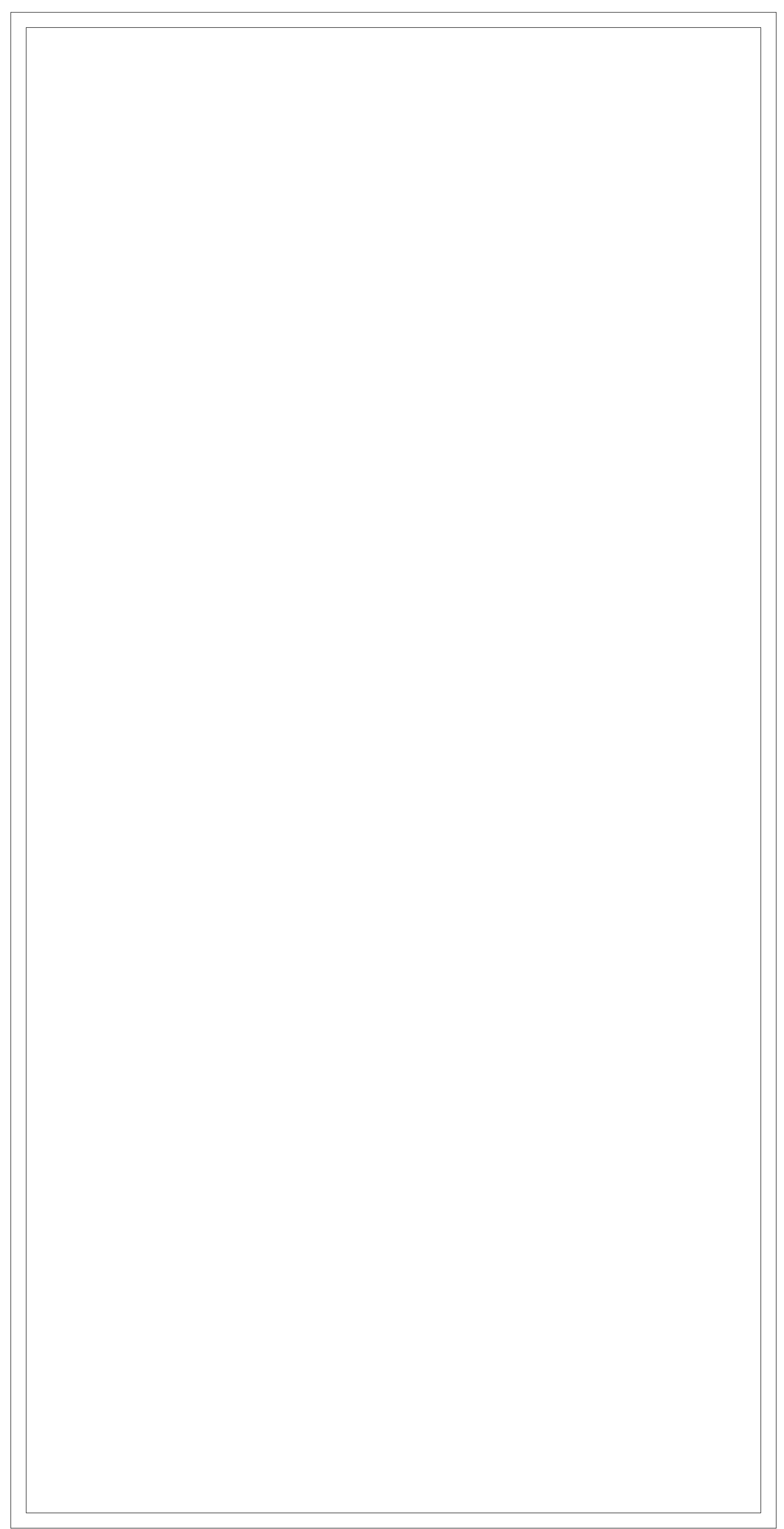
THE DRAWING AND DESIGN HEREIN SHALL NOT BE DUPLICATED, USED OR DISCLOSED TO OTHERS FOR PROCUREMENT OR OTHER PURPOSES EXCEPT AS OTHERWISE AUTHORIZED BY CONTRACT WITHOUT WRITTEN PERMISSION OF SIEMENS INDUSTRY, INC. THE FIRE SAFETY DIVISION. ALL OTHER REPRODUCTIONS SHALL BEAR THIS NOTICE.

**REVISIONS**

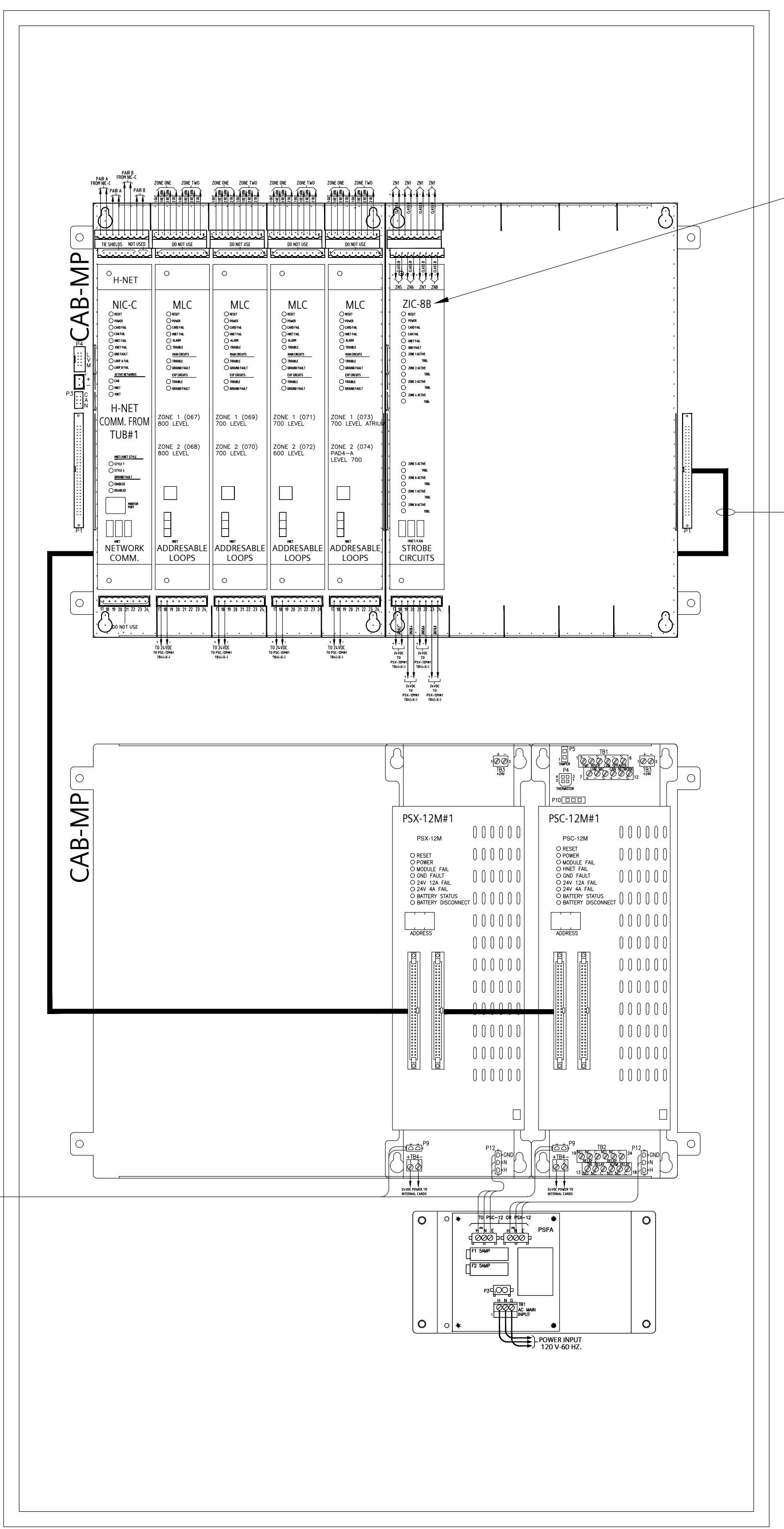
No.	Revision	By	Date

NOTES:  
 ① THE NUMBER, POSITION & WIRING OF MODULES MAY CHANGE AS PER SITE CONDITIONS.  
 ② THE DOOR DEPTH IS 1-1/4".  
 ③ THESE ENCLOSURES ARE FOR INDOOR USE AND FOR DRY ENVIRONMENTS.

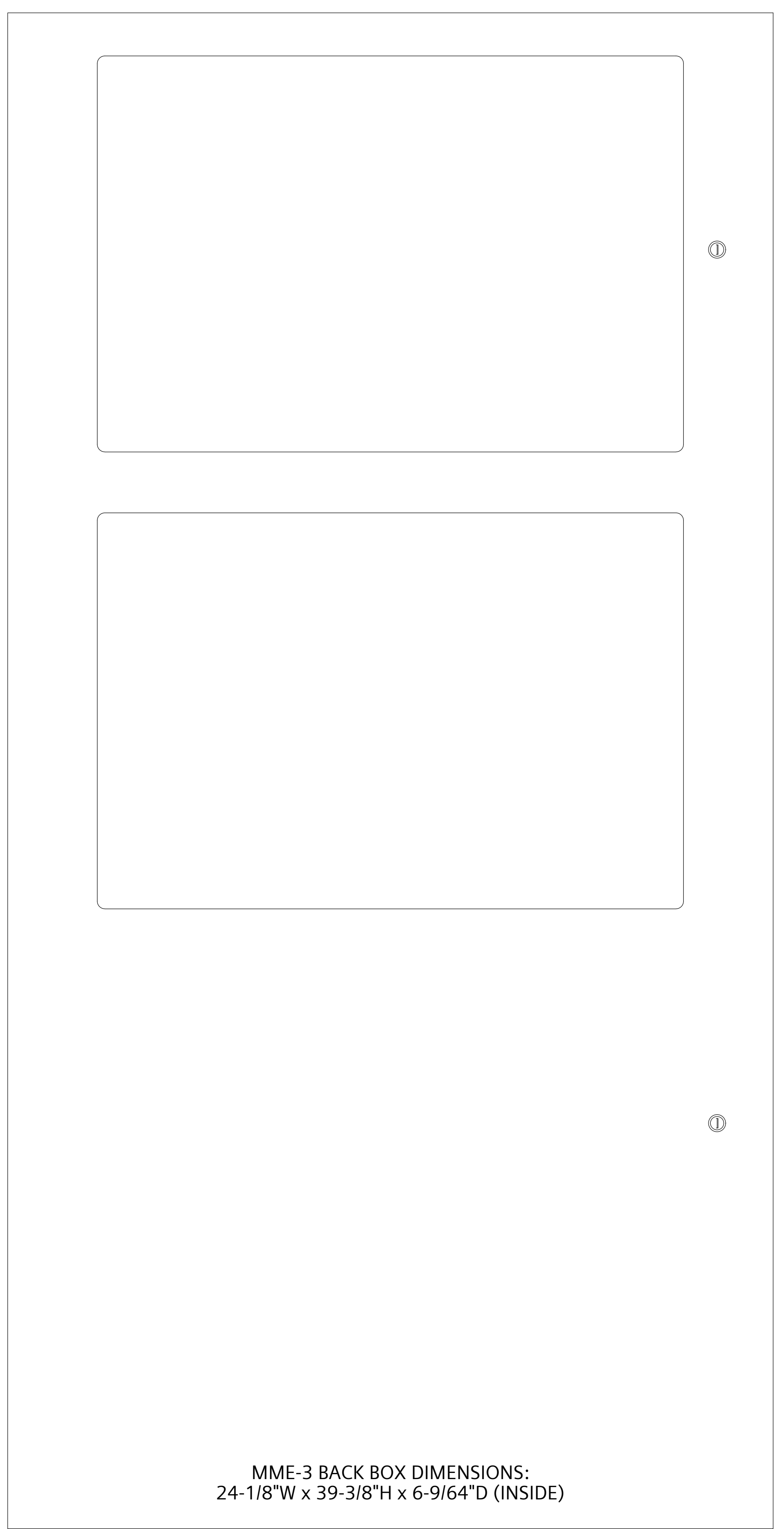
**PANEL DESCRIPTION:**  
**TRANSPONDER**  
 I.D.:  
 TRANSPONDER L2-NW (TUB#2)  
 LOCATION:  
 SOUTH BUILDING LEVEL 68.20 WEST  
 ELECTRICAL ROOM 725  
 ENCLOSURE:  
 CAB1  
 CAB2  
 CAB3  
 REMBOX2  
 REMBOX4  
 COLOUR:  
 BLACK  
 RED  
 MOUNT:  
 SURFACE  
 SEMI-FLUSH  
 SEMI-FLUSH WITH TRIM KIT  
 ADAPTER KITS:  
 EXISTING RCC-3 BACK BOX  
 XLS-RCC1-ADPT (BLACK)  
 EXISTING MSE-3L BACK BOX  
 XLS-MSE3-ADPT (BLACK)  
 EXISTING MME-3 BACK BOX  
 XLS-MME3-ADPT (BLACK)  
 EXISTING MLE-6 BACK BOX  
 XLS-MLE6-ADPT (BLACK)  
 EXISTING MME-3 BACK BOX  
 EXISTING MLE-6 BACK BOX  
 SINGLE-NODE URLOAD (SNU) MODULE:  
 SNU MOUNTED NEXT TO THIS ENCLOSURE  
 MONITORING-ONLY SOLUTION ASSEMBLY:  
 MOSA MOUNTED NEXT TO THIS ENCLOSURE



INNER DOOR (EXISTING)

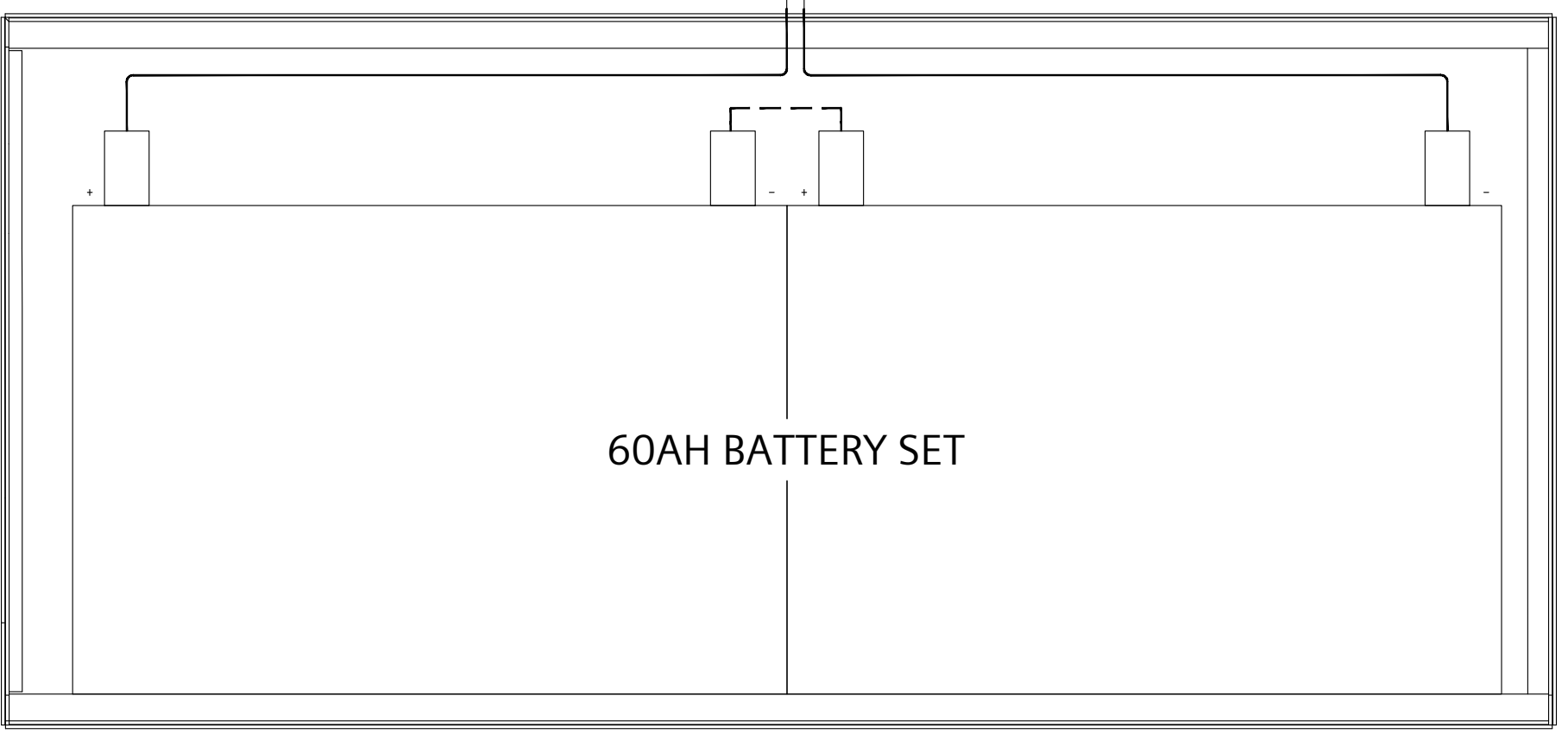


BACK BOX (EXISTING)



OUTER DOOR (EXISTING)

MME-3 BACK BOX DIMENSIONS:  
 24-1/8"W x 39-3/8"H x 6-9/64"D (INSIDE)



CAB-BATT BACK BOX (NEW)  
 CAB-BATT OVERALL DIMENSIONS  
 26-1/8"W x 12"H x 8-3/8"D

PRODUCT MANUFACTURER:  
**SIEMENS**  
 SIEMENS CANADA LIMITED  
 SMART INFRASTRUCTURE  
 TORONTO BRANCH  
 1577 NORTH SERVICE ROAD EAST  
 OAKVILLE, ON L6H 0H6  
 Tel 905.465.7208 Fax 905.465.8167

JOB NAME & LOCATION:  
**METRO TORONTO CONVENTION CENTRE  
 SOUTH BUILDING  
 FIRE ALARM MODERNIZATION  
 222 BREMNER BOULEVARD,  
 TORONTO, ON**

SHEET CONTENTS:  
**TRANSPONDER L2-NW (TUB#1)  
 PANEL LAYOUT**

**DESIGO FIRE SAFETY MODULAR SYSTEM**  
 SYSTEM SALES REP: RYAN BROCKWAY

PROJECT MANAGER: MAXIM VELIKY

DRAWN BY: REMO MARTIGNAGO

CHECKED BY:

SCALE: NTS

DATE DRAWN: APRIL 15, 2024

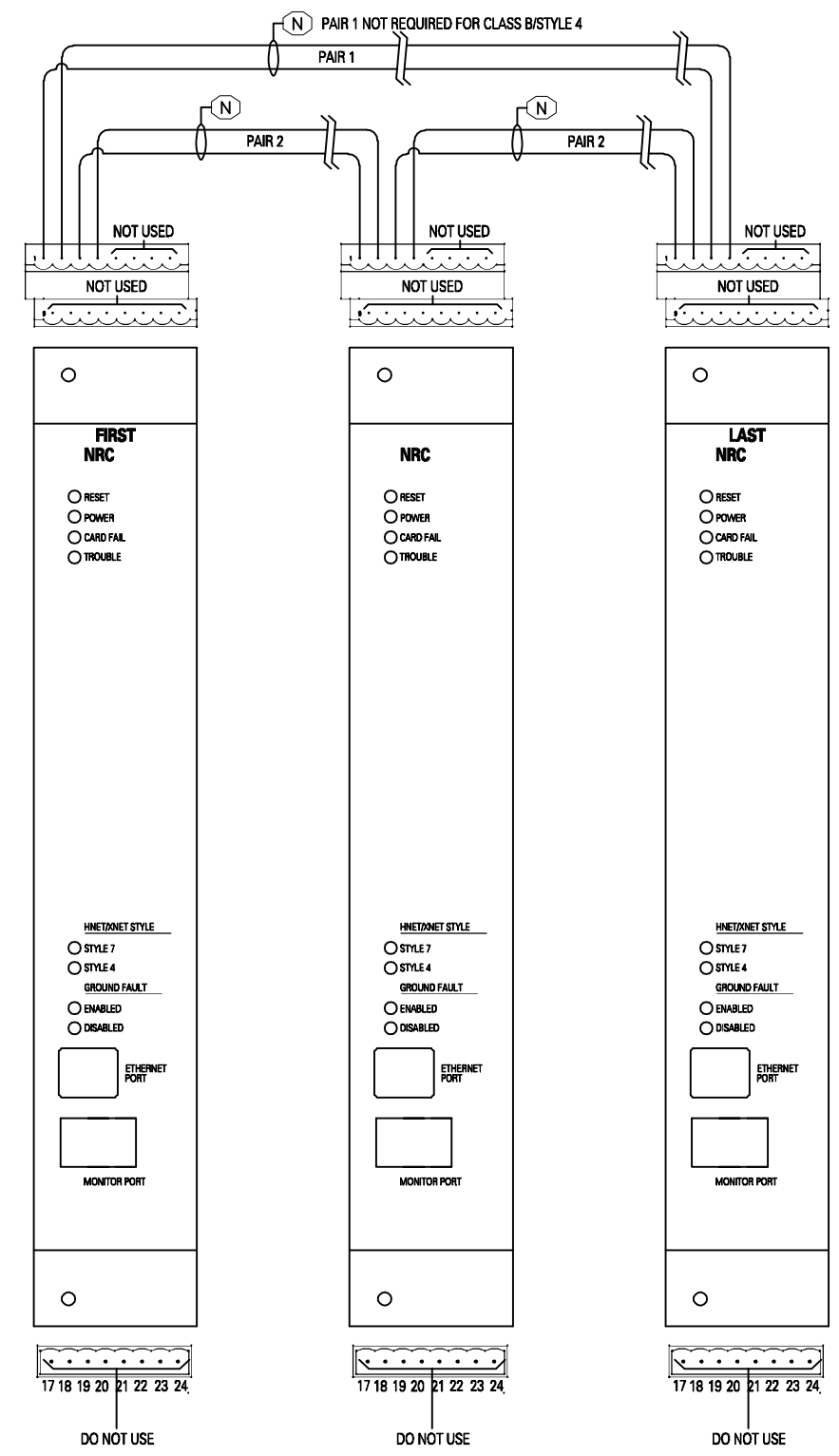
SHEET NUMBER: E-FA-PNL-12  
 SIEMENS JOB NUMBER: J-SI-07733



THE DRAWING AND DESIGN HEREIN SHALL NOT BE DUPLICATED, USED OR DISCLOSED TO OTHERS FOR PROCUREMENT OR OTHER PURPOSE (EXCEPT AS OTHERWISE AUTHORIZED BY CONTRACT) WITHOUT WRITTEN PERMISSION OF SIEMENS BUILDING TECHNOLOGIES, INC. FIRE SAFETY DIVISION. ALL OTHER REPRODUCTIONS SHALL BEAR THIS NOTICE.

R E V I S I O N S

No.	DESCRIPTION	BY	DATE



(N) XLS NETWORK (COPPER) COMMUNICATION CIRCUIT (XNET/NRC CARD) WIRING:  
 1-PR #18AWG TWISTED UNSHIELDED (SEPARATE JACKETED PAIR) (STYLE 7).  
 MINIMUM 3 TWISTS PER FEET.  
 MAXIMUM 3,300FT (1KM) BETWEEN NODES.  
 -LINE RESISTANCE IS MAX. 80Ω (ALL WIRES).  
 UNSHIELDED TWISTED PAIR MAXIMUM 0.5μF LINE TO LINE  
 SHIELDED TWISTED PAIR MAXIMUM 0.3μF LINE TO LINE,  
 0.4μF LINE TO SHIELD.

# SIEMENS

SIEMENS CANADA LIMITED  
 FIRE SAFETY DIVISION  
 TORONTO BRANCH  
 1577 NORTH SERVICE ROAD EAST  
 OAKVILLE, ON L6H 0H6  
 Tel 905.465.7208 Fax 905.465.8167

DRAWING NAME  
**NETWORK CIRCUIT AND  
 NRC NETWORK CARD  
 CLASS A/STYLE 7 & CLASS B/STYLE 4  
 DESIGO MODULAR/XLS FIRE ALARM SYSTEM**

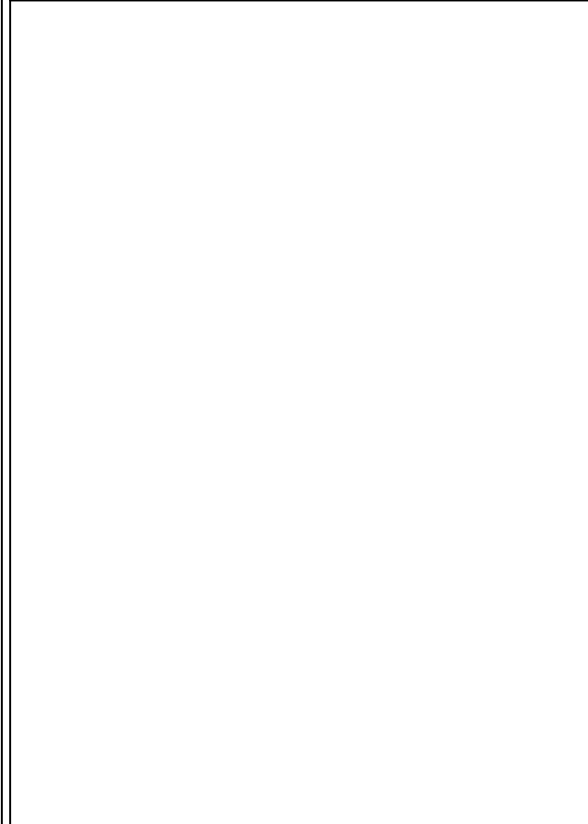
DESIGNER: R.M.	DATE DRAWN: APR21/16
DRAWING NUMBER: FA-NET-B01B	SCALE: N.T.S.



THE DRAWING AND DESIGN HEREIN SHALL NOT BE DUPLICATED, USED OR DISCLOSED TO OTHERS FOR PROCUREMENT OR OTHER PURPOSE (EXCEPT AS OTHERWISE AUTHORIZED BY CONTRACT) WITHOUT WRITTEN PERMISSION OF SIEMENS BUILDING TECHNOLOGIES, INC. FIRE SAFETY DIVISION. ALL OTHER REPRODUCTIONS SHALL BEAR THIS NOTICE.

R E V I S I O N S

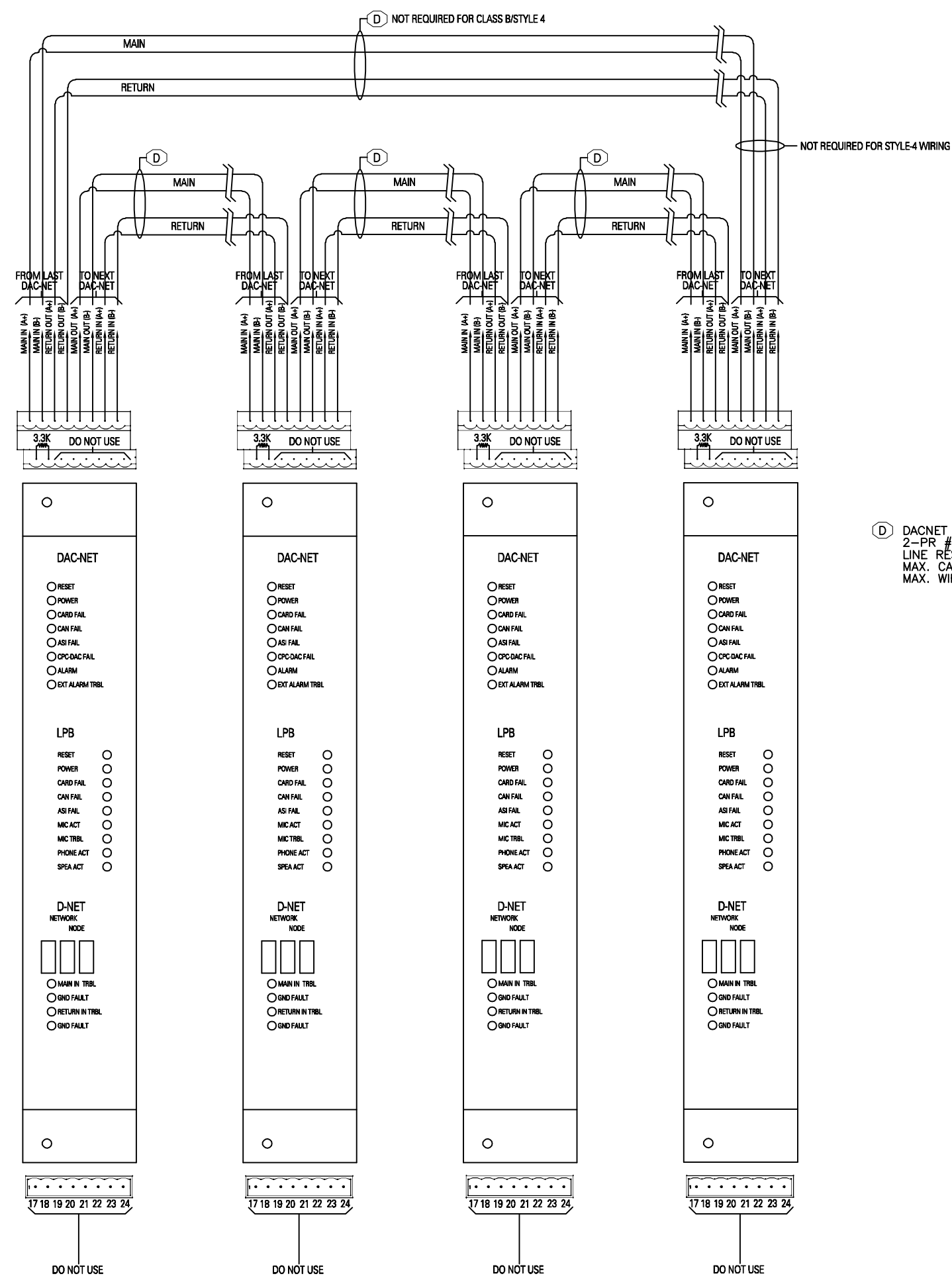
No.	DESCRIPTION	BY	DATE



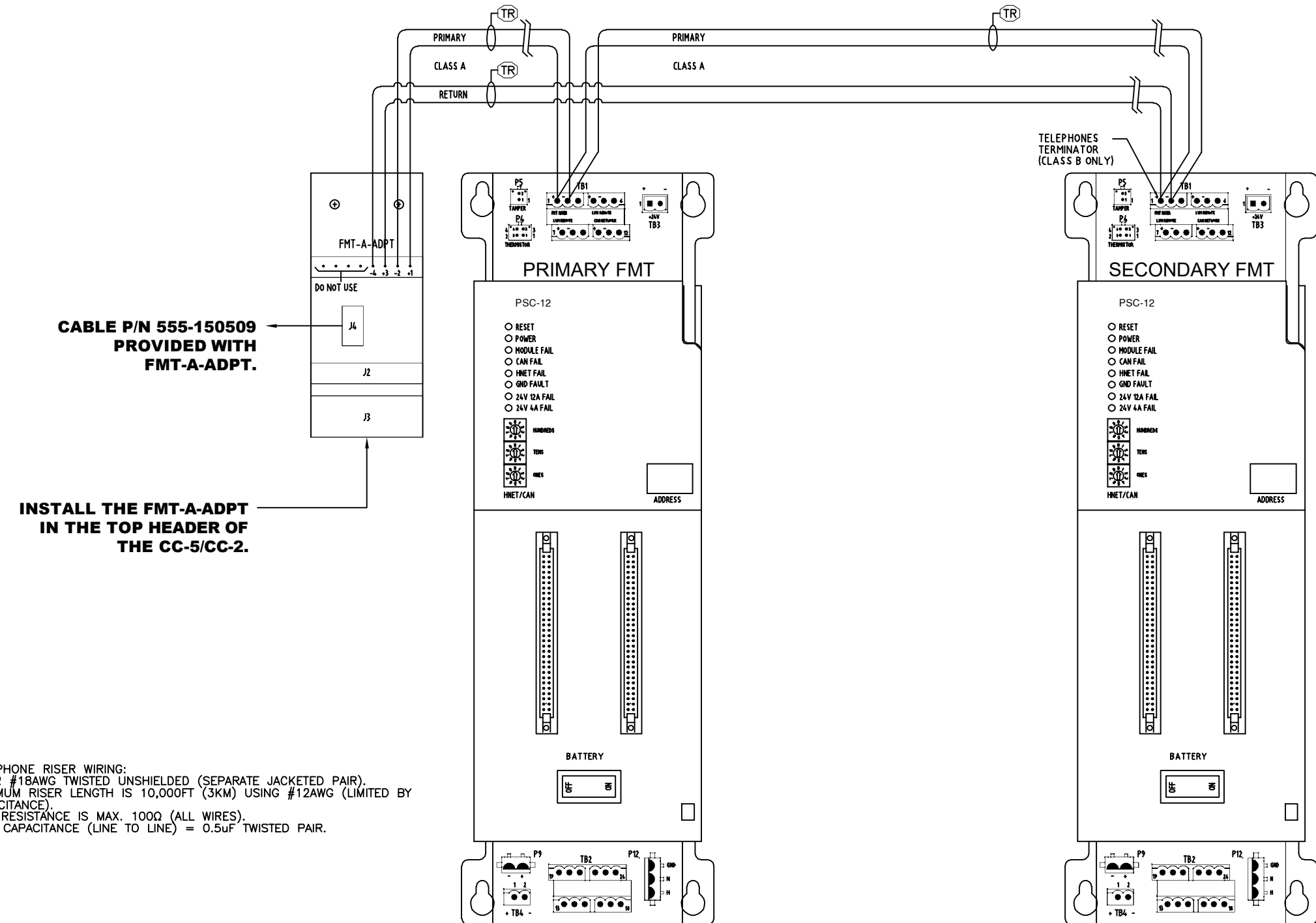
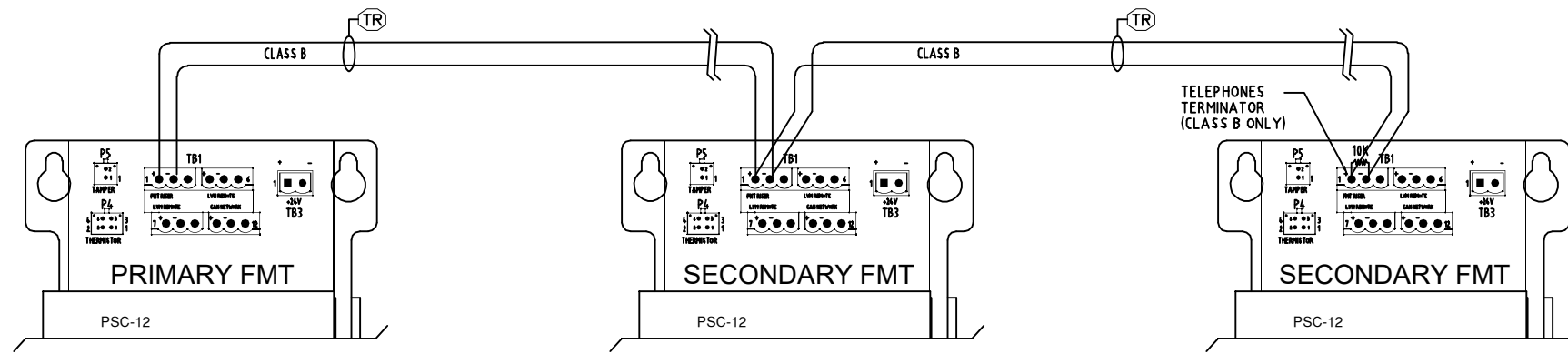
**SIEMENS**  
 SIEMENS CANADA LIMITED  
 FIRE SAFETY DIVISION  
 TORONTO BRANCH  
 1577 NORTH SERVICE ROAD EAST  
 OAKVILLE, ON L6H 0H6  
 Tel 905.465.7208 Fax 905.465.8167

DRAWING NAME  
 DAC-NET DIGITAL AUDIO CARD  
 D-NET WIRING (STYLE 4&7)  
 DESIGO MODULAR/XLS FIRE ALARM SYSTEM

DESIGNER: R.M.	DATE DRAWN: APR21/16
DRAWING NUMBER: FA-NET-B01C	SCALE: N.T.S.







**CABLE P/N 555-150509  
PROVIDED WITH  
FMT-A-ADPT.**

**INSTALL THE FMT-A-ADPT  
IN THE TOP HEADER OF  
THE CC-5/CC-2.**

**TR** TELEPHONE RISER WIRING:  
1-PR #18AWG TWISTED UNSHIELDED (SEPARATE JACKETED PAIR).  
MAXIMUM RISER LENGTH IS 10,000FT (3KM) USING #12AWG (LIMITED BY CAPACITANCE).  
LINE RESISTANCE IS MAX. 100Ω (ALL WIRES).  
MAX. CAPACITANCE (LINE TO LINE) = 0.5μF TWISTED PAIR.

THE DRAWING AND DESIGN HEREIN SHALL NOT BE DUPLICATED, USED OR DISCLOSED TO OTHERS FOR PROCUREMENT OR OTHER PURPOSE (EXCEPT AS OTHERWISE AUTHORIZED BY CONTRACT) WITHOUT WRITTEN PERMISSION OF SIEMENS BUILDING TECHNOLOGIES, INC. FIRE SAFETY DIVISION. ALL OTHER REPRODUCTIONS SHALL BEAR THIS NOTICE.

R E V I S I O N S			
No.	DESCRIPTION	BY	DATE



**SIEMENS**

SIEMENS CANADA LIMITED  
FIRE SAFETY DIVISION

TORONTO BRANCH  
1577 NORTH SERVICE ROAD EAST  
OAKVILLE, ON L6H 0H6  
Tel 905.465.7208 Fax 905.465.8167

DRAWING NAME  
**FMT TELEPHONE RISER**

DESIGO MODULAR/XLS FIRE ALARM SYSTEM

DESIGNER: R.M. DATE DRAWN: APR21/16

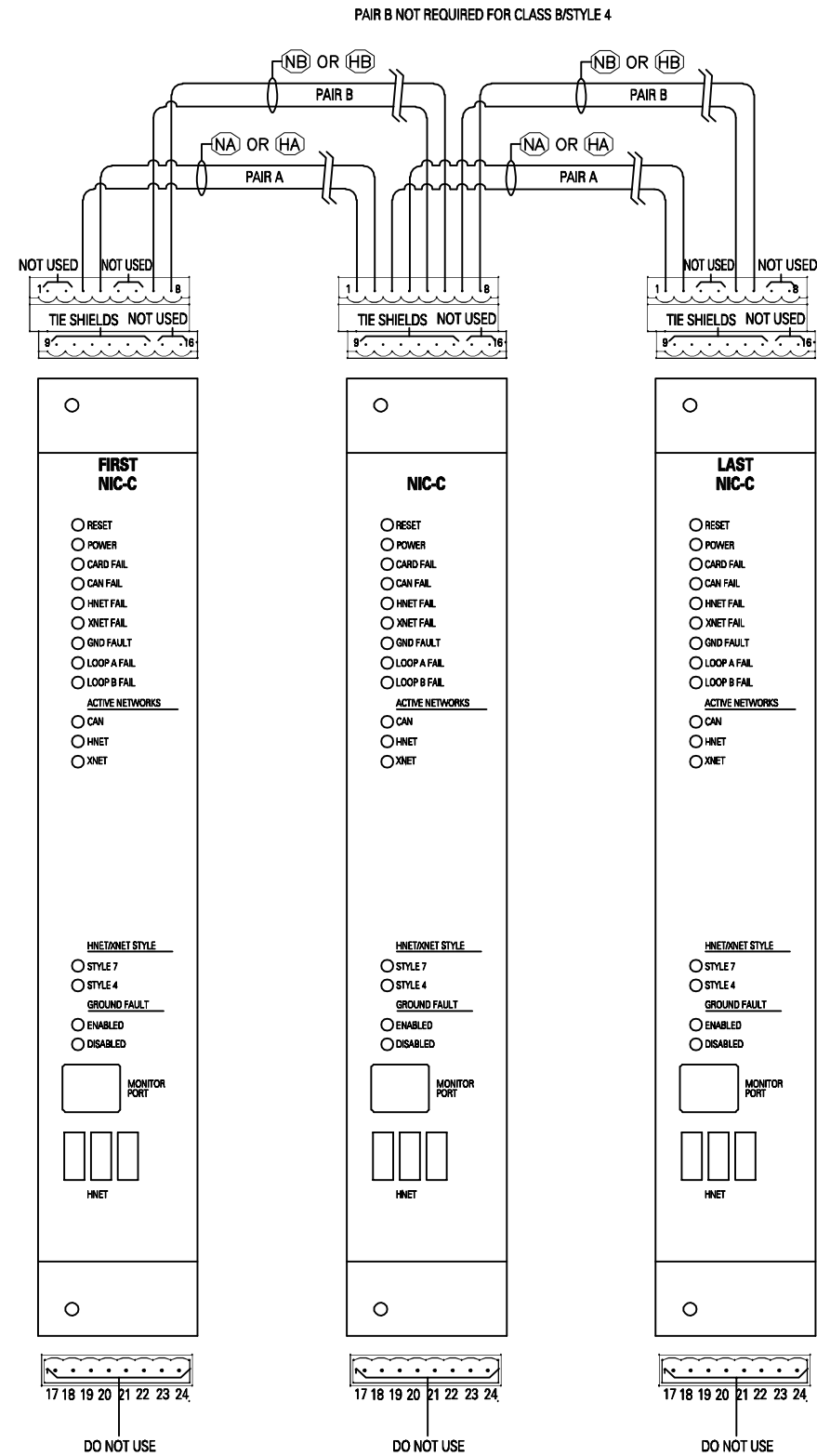
DRAWING NUMBER: FA-NET-B01D SCALE: N.T.S.



THE DRAWING AND DESIGN HEREIN SHALL NOT BE DUPLICATED, USED OR DISCLOSED TO OTHERS FOR PROCUREMENT OR OTHER PURPOSE (EXCEPT AS OTHERWISE AUTHORIZED BY CONTRACT) WITHOUT WRITTEN PERMISSION OF SIEMENS BUILDING TECHNOLOGIES, INC. FIRE SAFETY DIVISION. ALL OTHER REPRODUCTIONS SHALL BEAR THIS NOTICE.

REVISIONS

No.	DESCRIPTION	BY	DATE



- (NA) XLS NETWORK (COPPER) COMMUNICATION CIRCUIT (NIC-C XNET) WIRING:  
 1-PR #18AWG TWISTED UNSHIELDED (SEPARATE JACKETED PAIR) (PRIMARY-CLASS A/STYLE 7).  
 MINIMUM 3 TWISTS PER FEET.  
 MAXIMUM 3,300FT (1KM) BETWEEN NODES.  
 -LINE RESISTANCE IS MAX. 80Ω (ALL WIRES).  
 UNSHIELDED TWISTED PAIR MAXIMUM 0.5μF LINE TO LINE  
 SHIELDED TWISTED PAIR MAXIMUM 0.3μF LINE TO LINE,  
 0.4μF LINE TO SHIELD.
- (NB) XLS NETWORK (COPPER) COMMUNICATION CIRCUIT (NIC-C XNET) WIRING:  
 1-PR #18AWG TWISTED UNSHIELDED (SEPARATE JACKETED PAIR) (ALTERNATE-CLASS A/STYLE 7).  
 MINIMUM 3 TWISTS PER FEET.  
 MAXIMUM 3,300FT (1KM) BETWEEN NODES.  
 -LINE RESISTANCE IS MAX. 80Ω (ALL WIRES).  
 UNSHIELDED TWISTED PAIR MAXIMUM 0.5μF LINE TO LINE  
 SHIELDED TWISTED PAIR MAXIMUM 0.3μF LINE TO LINE,  
 0.4μF LINE TO SHIELD.
- (HA) HNET COMMUNICATION CIRCUIT WIRING:  
 1-PR #18AWG TWISTED UNSHIELDED (SEPARATE JACKETED PAIR) (PRIMARY-CLASS A/STYLE 7).  
 MAX. LINE RESISTANCE = 78.4Ω (#12AWG).  
 MAX. CAPACITANCE (LINE TO LINE) = 0.25μF TWISTED PAIR.  
 MAX. WIRE DISTANCE (@50pF/FT LINE TO LINE) = 2,000FT (600M)  
 BETWEEN NODES.
- (HB) HNET COMMUNICATION CIRCUIT WIRING:  
 1-PR #18AWG TWISTED UNSHIELDED (SEPARATE JACKETED PAIR) (RETURN-CLASS A/STYLE 7).  
 MAX. LINE RESISTANCE = 78.4Ω (#12AWG).  
 MAX. CAPACITANCE (LINE TO LINE) = 0.25μF TWISTED PAIR.  
 MAX. WIRE DISTANCE (@50pF/FT LINE TO LINE) = 2,000FT (600M)  
 BETWEEN NODES.

**SIEMENS**

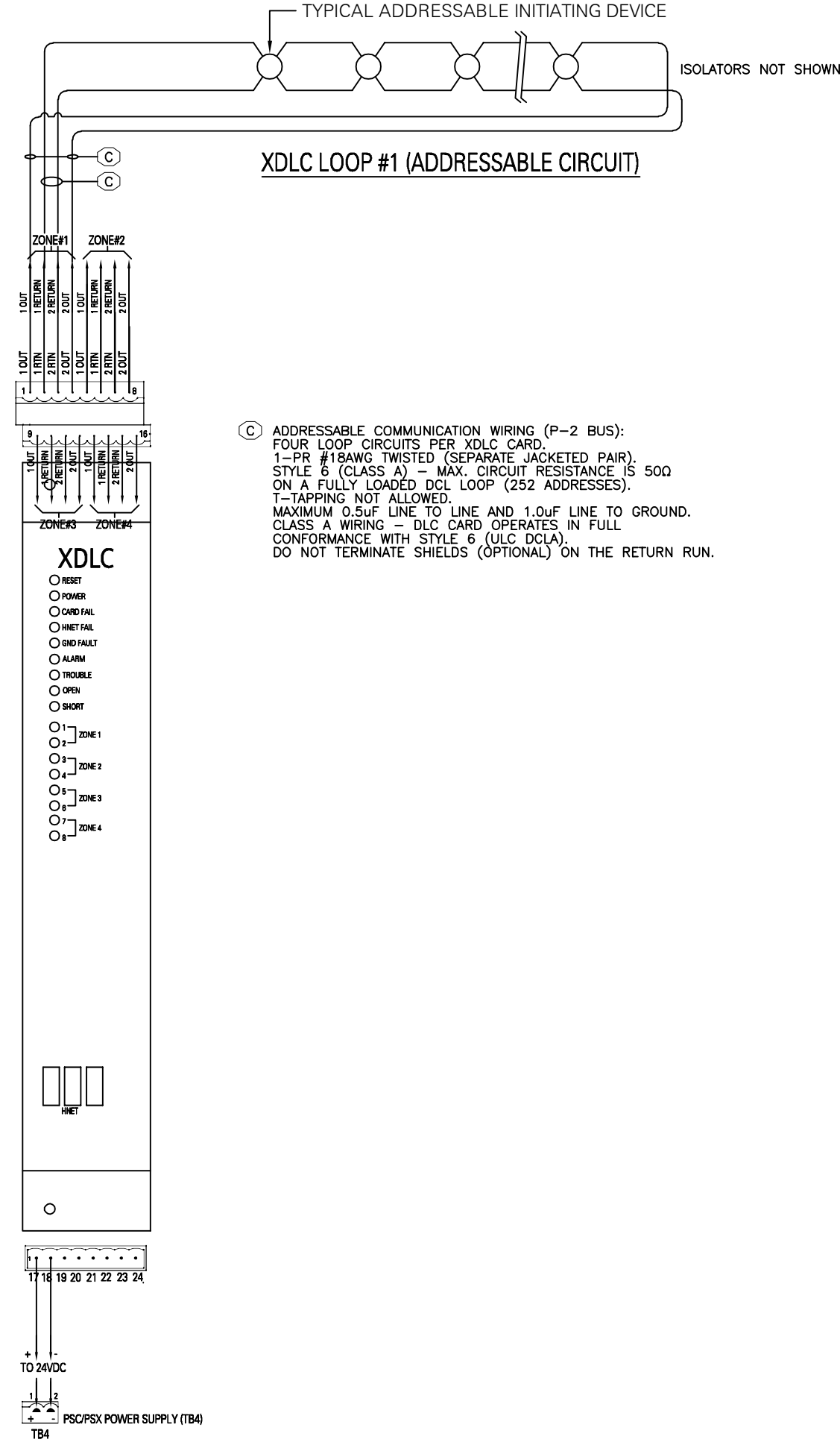
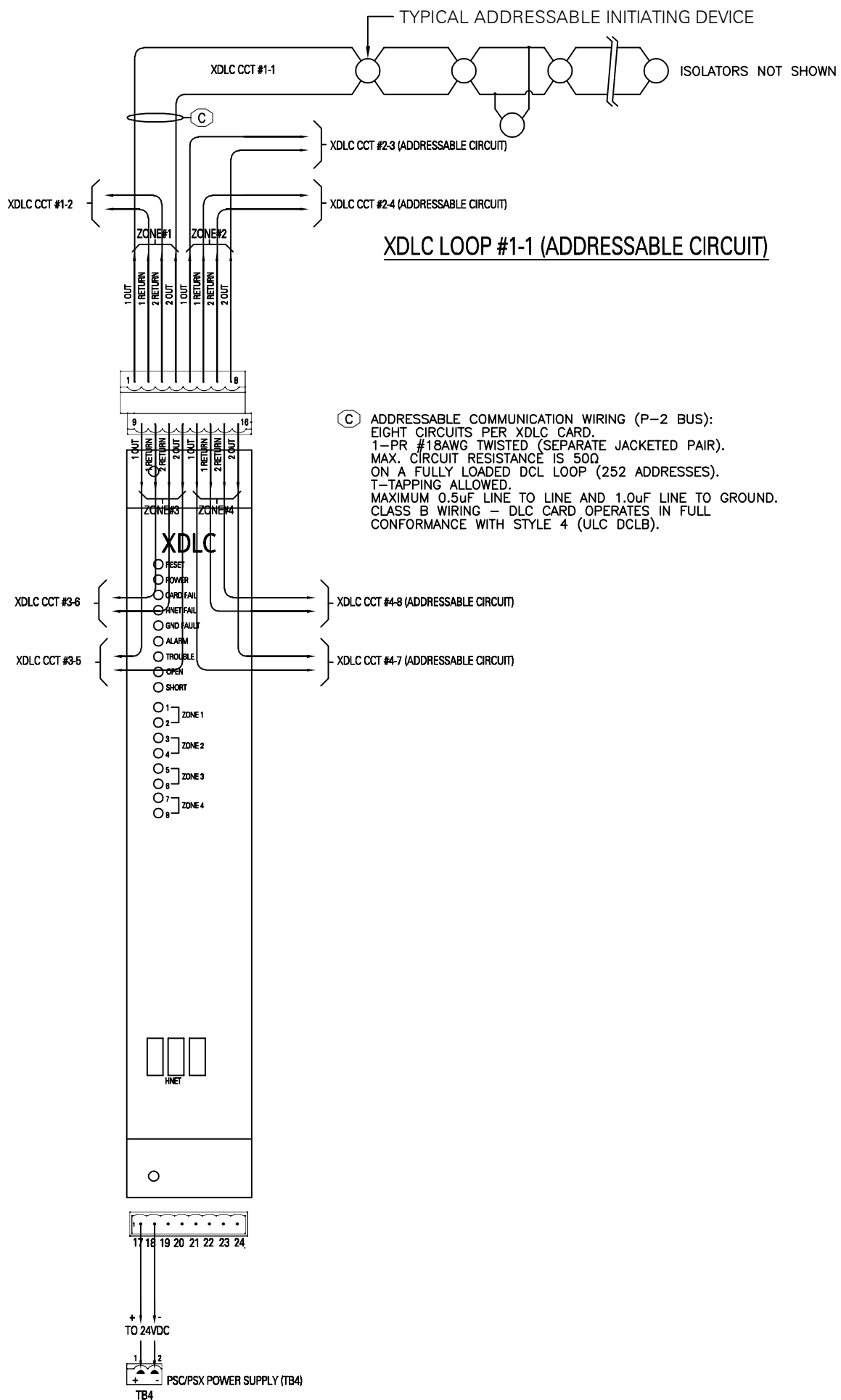
SIEMENS CANADA LIMITED  
 FIRE SAFETY DIVISION

TORONTO BRANCH  
 1577 NORTH SERVICE ROAD EAST  
 OAKVILLE, ON L6H 0H6  
 Tel 905.465.7208 Fax 905.465.8167

DRAWING NAME  
**NETWORK CIRCUIT AND  
 NIC-C NETWORK CARD  
 CLASS A/STYLE 7 & CLASS B/STYLE 4  
 DESIGO MODULAR/XLS FIRE ALARM SYSTEM**

DESIGNER: R.M.	DATE DRAWN: APR21/16
DRAWING NUMBER: FA-NET-B01A	SCALE: N.T.S.





THE DRAWING AND DESIGN HEREIN SHALL NOT BE DUPLICATED, USED OR DISCLOSED TO OTHERS FOR PROCUREMENT OR OTHER PURPOSE (EXCEPT AS OTHERWISE AUTHORIZED BY CONTRACT) WITHOUT WRITTEN PERMISSION OF SIEMENS BUILDING TECHNOLOGIES, INC. FIRE SAFETY DIVISION. ALL OTHER REPRODUCTIONS SHALL BEAR THIS NOTICE.

REVISIONS

No.	DESCRIPTION	BY	DATE

**SIEMENS**

SIEMENS CANADA LIMITED  
FIRE SAFETY DIVISION

TORONTO BRANCH  
1577 NORTH SERVICE ROAD EAST  
OAKVILLE, ON L6H 0H6  
Tel 905.465.7208 Fax 905.465.8167

DRAWING NAME  
DEVICE LOOP CARD - MODEL XDL  
CLASS A&B WIRING

DESIGO MODULAR/XLS FIRE ALARM SYSTEM

DESIGNER: R.M. DATE DRAWN: NOV23/15

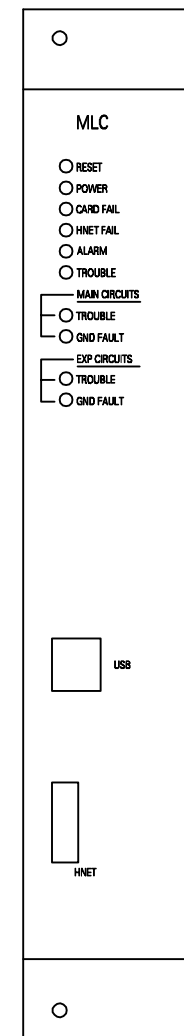
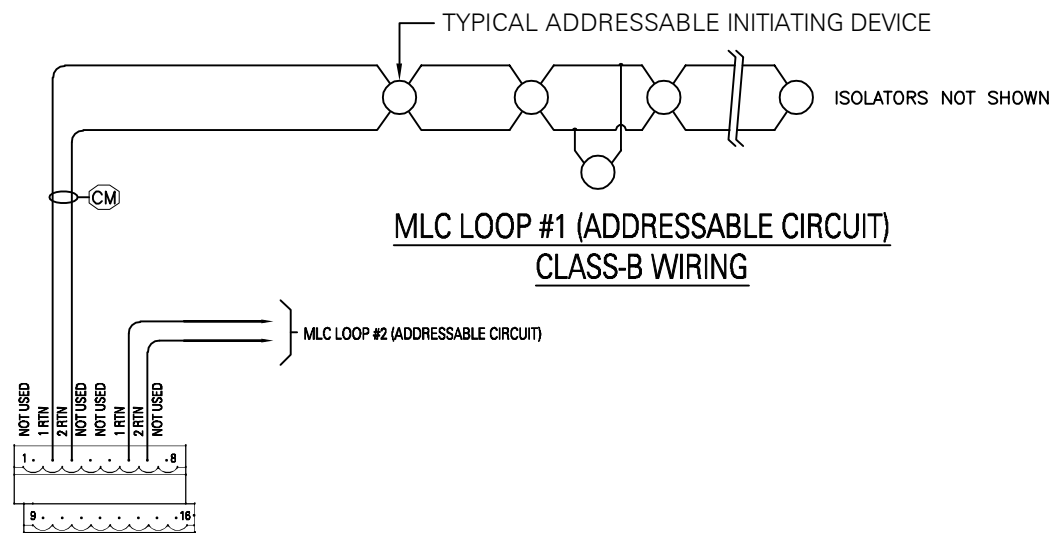
DRAWING NUMBER: FA-INIT-B01A SCALE: N.T.S.



THE DRAWING AND DESIGN HEREIN SHALL NOT BE DUPLICATED, USED OR DISCLOSED TO OTHERS FOR PROCUREMENT OR OTHER PURPOSE (EXCEPT AS OTHERWISE AUTHORIZED BY CONTRACT) WITHOUT WRITTEN PERMISSION OF SIEMENS BUILDING TECHNOLOGIES, INC. FIRE SAFETY DIVISION. ALL OTHER REPRODUCTIONS SHALL BEAR THIS NOTICE.

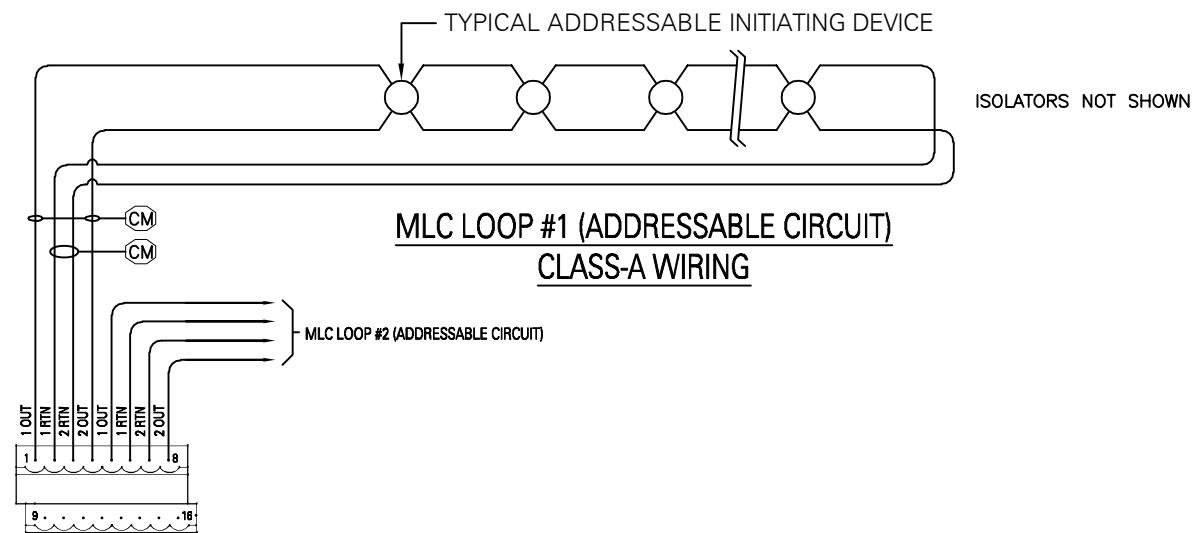
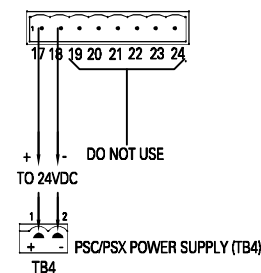
R E V I S I O N S

No.	DESCRIPTION	BY	DATE



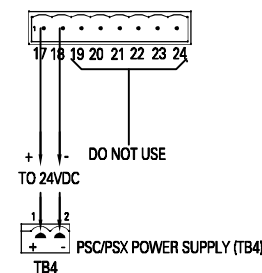
MLC LOOP #1 (ADDRESSABLE CIRCUIT)  
CLASS-B WIRING

(CM) ADDRESSABLE COMMUNICATION WIRING (MLC CARD):  
TWO LOOP CIRCUITS PER MLC CARD.  
1-PR #18AWG TWISTED (SEPARATE JACKETED PAIR).  
STYLE 6 (CLASS A) - MAX. CIRCUIT RESISTANCE IS 45Ω  
ON A FULLY LOADED MLC LOOP (60 ADDRESSES).  
T-TAPPING ALLOWED.  
MAXIMUM 0.4μF LINE TO LINE AND 0.8μF LINE TO GROUND.  
CLASS B WIRING - MLC CARD OPERATES IN FULL  
CONFORMANCE WITH STYLE 4 (ULC DCLB).  
EACH LOOP CIRCUIT CAN MONITOR OR CONTROL UP TO 60  
INTELLIGENT DEVICES AS WELL AS DEVICE ACCESSORIES  
(RELAY BASES, AUDIBLE BASES, AND REMOTE LAMPS) IN ANY  
COMBINATION.



MLC LOOP #1 (ADDRESSABLE CIRCUIT)  
CLASS-A WIRING

(CM) ADDRESSABLE COMMUNICATION WIRING (MLC CARD):  
TWO LOOP CIRCUITS PER MLC CARD.  
1-PR #18AWG TWISTED (SEPARATE JACKETED PAIR).  
STYLE 6 (CLASS A) - MAX. CIRCUIT RESISTANCE IS 45Ω  
ON A FULLY LOADED MLC LOOP (60 ADDRESSES).  
T-TAPPING NOT ALLOWED.  
MAXIMUM 0.4μF LINE TO LINE AND 0.8μF LINE TO GROUND.  
EACH LOOP CIRCUIT CAN MONITOR OR CONTROL UP TO 60  
INTELLIGENT DEVICES AS WELL AS DEVICE ACCESSORIES  
(RELAY BASES, AUDIBLE BASES, AND REMOTE LAMPS) IN ANY  
COMBINATION.



**SIEMENS**

SIEMENS CANADA LIMITED  
FIRE SAFETY DIVISION

TORONTO BRANCH  
1577 NORTH SERVICE ROAD EAST  
OAKVILLE, ON L6H 0H6  
Tel 905.465.7208 Fax 905.465.8167

DRAWING NAME  
**MXL LOOP CARD - MODEL MLC  
CLASS A&B WIRING**  
DESIGO MODULAR/XLS FIRE ALARM SYSTEM

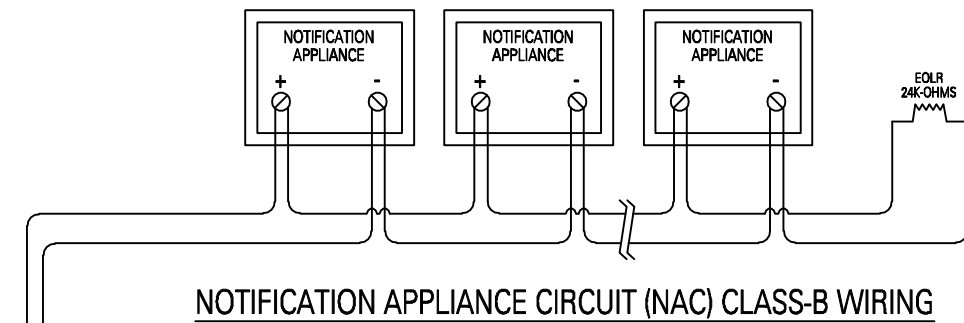
DESIGNER: R.M.	DATE DRAWN: NOV23/15
DRAWING NUMBER: FA-INIT-B02A	SCALE: N.T.S.



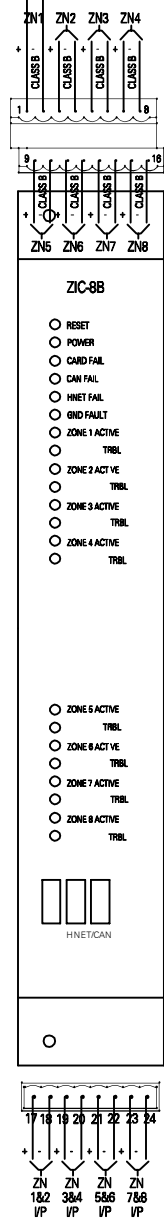
THE DRAWING AND DESIGN HEREIN SHALL NOT BE DUPLICATED, USED OR DISCLOSED TO OTHERS FOR PROCUREMENT OR OTHER PURPOSE (EXCEPT AS OTHERWISE AUTHORIZED BY CONTRACT) WITHOUT WRITTEN PERMISSION OF SIEMENS BUILDING TECHNOLOGIES, INC. FIRE SAFETY DIVISION. ALL OTHER REPRODUCTIONS SHALL BEAR THIS NOTICE.

R E V I S I O N S

No.	DESCRIPTION	BY	DATE



NOTIFICATION APPLIANCE CIRCUIT (NAC) CLASS-B WIRING



**SIEMENS**

SIEMENS CANADA LIMITED  
FIRE SAFETY DIVISION

TORONTO BRANCH  
1577 NORTH SERVICE ROAD EAST  
OAKVILLE, ON L6H 0H6  
Tel 905.465.7208 Fax 905.465.8167

DRAWING NAME  
ZIC-8B SIGNAL CARD  
NOTIFICATION APPLIANCE CIRCUIT (NAC)  
WIRING  
DESIGO MODULAR/XLS FIRE ALARM SYSTEM

DESIGNER: R.M. DATE DRAWN: OCT13/15

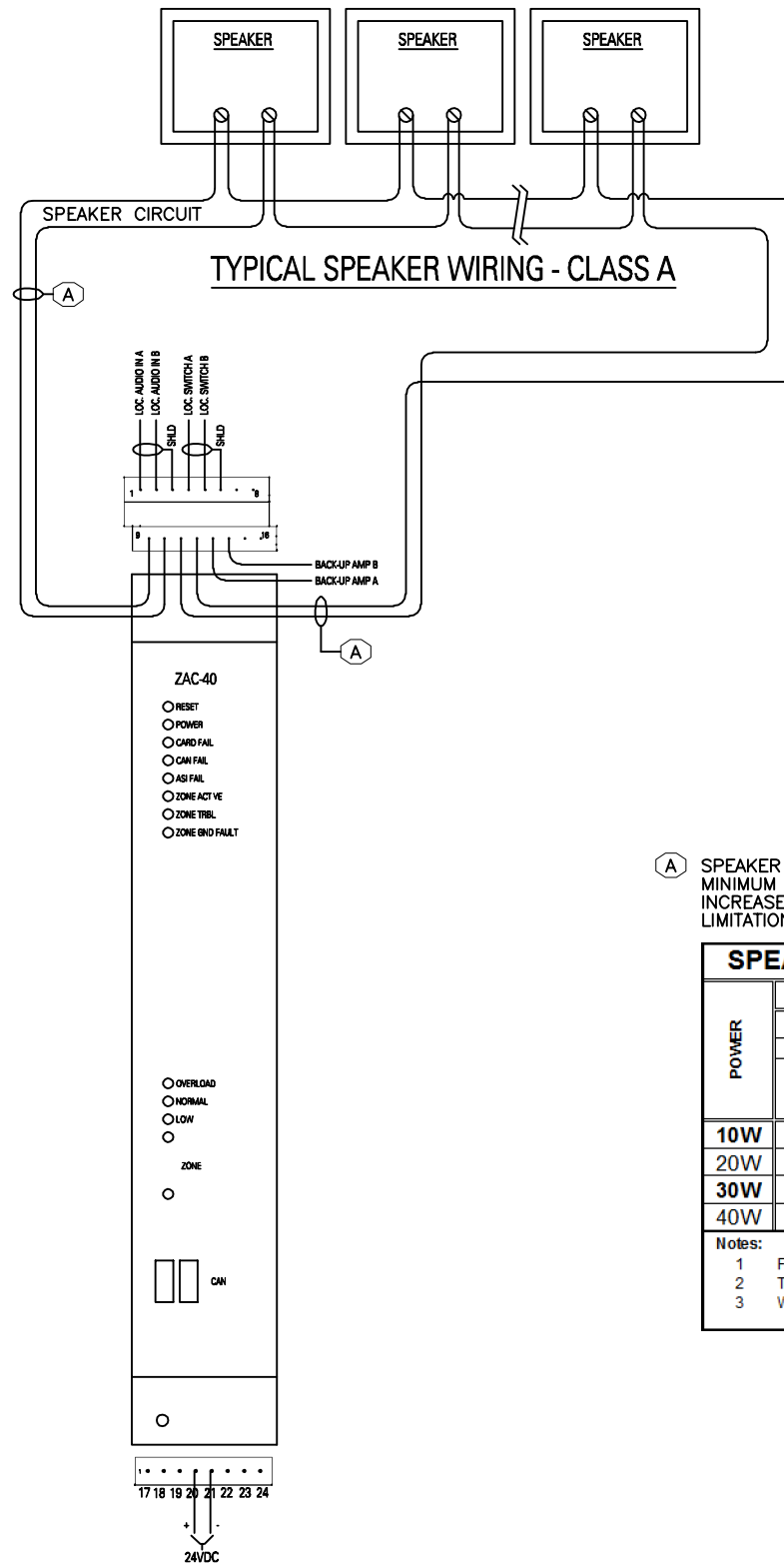
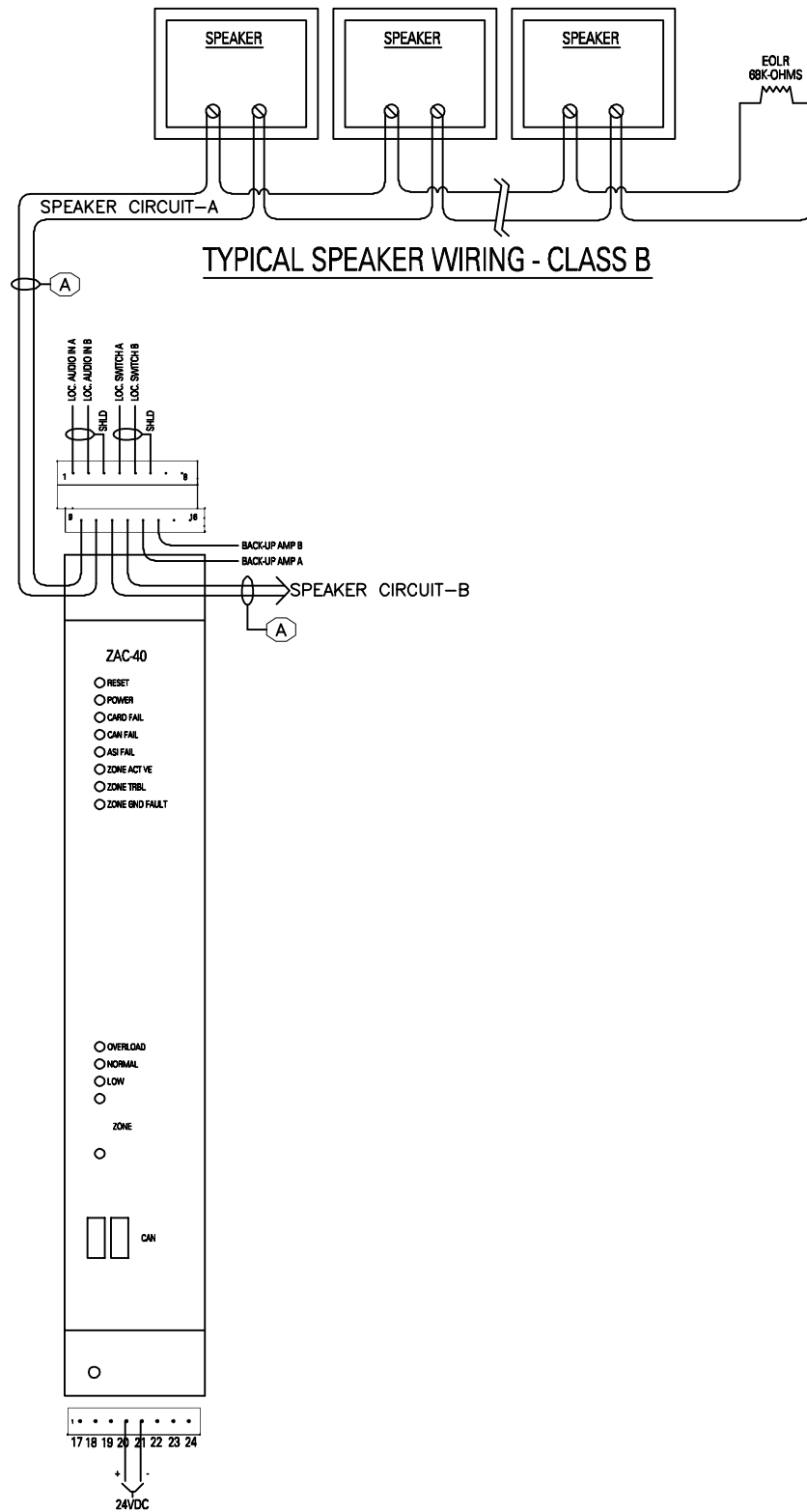
DRAWING NUMBER: FA-NOT-B01C SCALE: N.T.S.



THE DRAWING AND DESIGN HEREIN SHALL NOT BE DUPLICATED, USED OR DISCLOSED TO OTHERS FOR PROCUREMENT OR OTHER PURPOSE (EXCEPT AS OTHERWISE AUTHORIZED BY CONTRACT) WITHOUT WRITTEN PERMISSION OF SIEMENS BUILDING TECHNOLOGIES, INC. FIRE SAFETY DIVISION. ALL OTHER REPRODUCTIONS SHALL BEAR THIS NOTICE.

REVISIONS

No.	DESCRIPTION	BY	DATE



**A** SPEAKER CIRCUIT WIRING:  
 MINIMUM 1-PAIR #18AWG TWISTED (SEPARATE JACKETED PAIR).  
 INCREASE GAUGE OF WIRE IF LOAD OR CIRCUIT DISTANT EXCEEDS  
 LIMITATIONS (SEE CHART BELOW).

SPEAKER CIRCUIT WIRE SIZING GUIDE							
POWER	MAXIMUM Wire Run						POWER
	70V Line						
	Feet			Metres			
	#18 AWG 1.0mm	#16 AWG 1.5mm	#14 AWG 2.5mm	#18 AWG 1.0mm	#16 AWG 1.5mm	#14 AWG 2.5mm	
10W	16210	25772	40990	4941	7855	12494	10W
20W	8105	12886	20495	2470	3928	6247	20W
30W	5403	8591	13663	1647	2618	4165	30W
40W	4052	6443	10248	1235	1964	3123	40W

Notes:  
 1 For each Circuit, select total length for the entire loop including class A return  
 2 The second conductor has already been included  
 3 Wire resistance is based on solid copper at 20deg.C. (68 deg F.)

**SIEMENS**

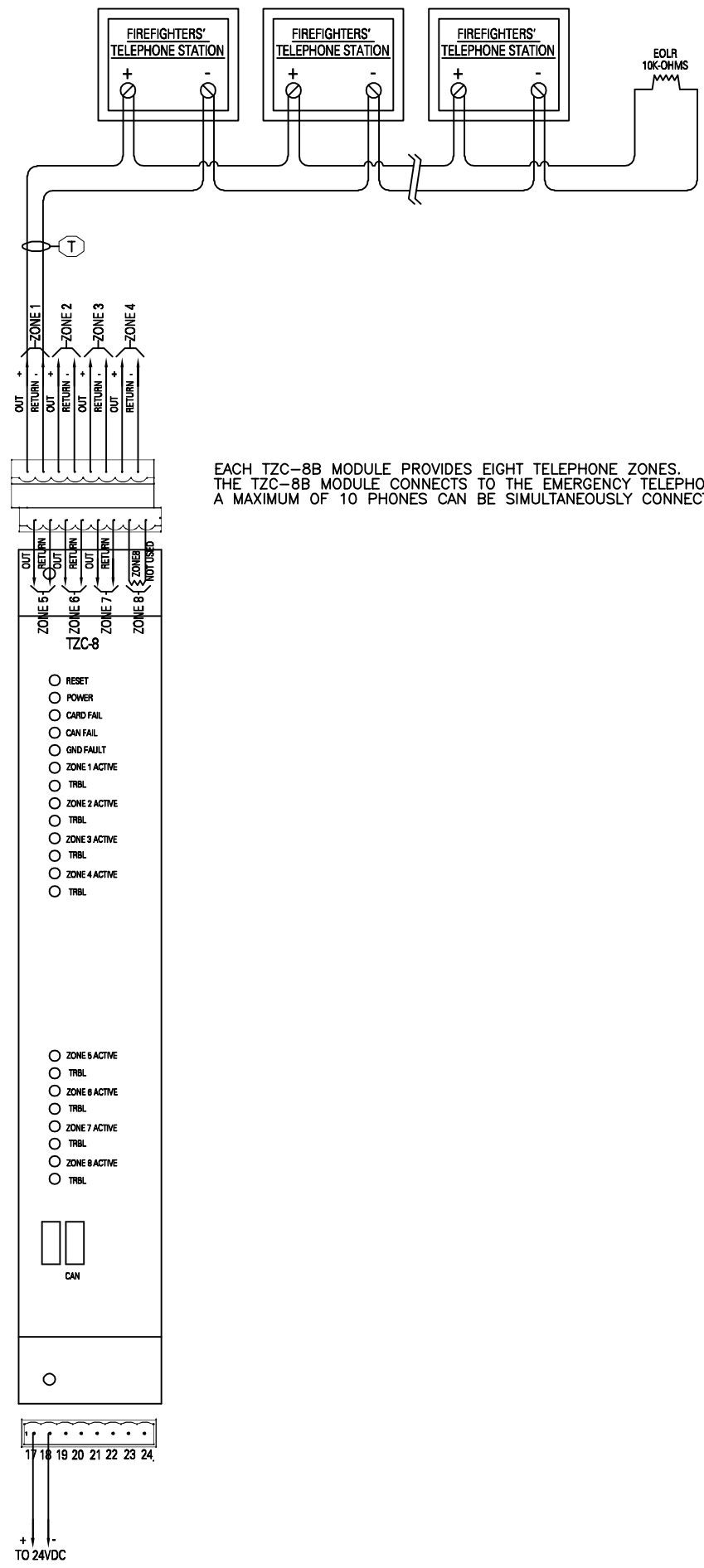
SIEMENS CANADA LIMITED  
 FIRE SAFETY DIVISION

TORONTO BRANCH  
 2 KENVIEW BOULEVARD  
 BRAMPTON, ON L6T 5E4  
 Tel (905) 799-9937 Fax (905) 799-9277

DRAWING NAME  
**SPEAKER CIRCUIT AND  
 ZAC-40 AMPLIFIER**  
 DESIGO MODULAR/XLS FIRE ALARM SYSTEM

DESIGNER: R.M.	DATE DRAWN: APR21/16
DRAWING NUMBER: FA-NOT-B02A	SCALE: N.T.S.



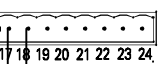


EACH TZO-8B MODULE PROVIDES EIGHT TELEPHONE ZONES.  
 THE TZO-8B MODULE CONNECTS TO THE EMERGENCY TELEPHONES OR TELEPHONE JACKS.  
 A MAXIMUM OF 10 PHONES CAN BE SIMULTANEOUSLY CONNECTED THROUGHOUT THE SYSTEM.

(T) TELEPHONE ZONE WIRING (CLASS 'B')  
 1-PR #18AWG TWISTED SHIELDED (SEPARATE JACKETED PAIR).  
 MAX. LINE RESISTANCE (ALL WIRES) = 100Ω.  
 MAX. CAPACITANCE (LINE TO LINE) = 0.5uF.

- RESET
- POWER
- CARD FAIL
- CAN FAIL
- GND FAULT
- ZONE 1 ACTIVE
- TRBL
- ZONE 2 ACTIVE
- TRBL
- ZONE 3 ACTIVE
- TRBL
- ZONE 4 ACTIVE
- TRBL

- ZONE 6 ACTIVE
- TRBL
- ZONE 8 ACTIVE
- TRBL
- ZONE 7 ACTIVE
- TRBL
- ZONE 8 ACTIVE
- TRBL



TO 24VDC

THE DRAWING AND DESIGN HEREIN SHALL NOT BE DUPLICATED, USED OR DISCLOSED TO OTHERS FOR PROCUREMENT OR OTHER PURPOSE (EXCEPT AS OTHERWISE AUTHORIZED BY CONTRACT) WITHOUT WRITTEN PERMISSION OF SIEMENS BUILDING TECHNOLOGIES, INC. FIRE SAFETY DIVISION. ALL OTHER REPRODUCTIONS SHALL BEAR THIS NOTICE.

R E V I S I O N S

No.	DESCRIPTION	BY	DATE

**SIEMENS**

SIEMENS CANADA LIMITED  
 FIRE SAFETY DIVISION

TORONTO BRANCH  
 2 KENVIEW BOULEVARD  
 BRAMPTON, ON L6T 5E4  
 Tel (905) 799-9937 Fax (905) 799-9277

DRAWING NAME

TZO-8  
 TELEPHONE ZONE CARD CARD

DESIGO MODULAR/XLS FIRE ALARM SYSTEM

DESIGNER: R.M. DATE DRAWN: OCT13/15

DRAWING NUMBER: FA-TEL-B01F SCALE: N.T.S.