

GC TO SUPPLY & INSTALL ALL BELOW AV, COMMUNICATION & SECURITY DEVICES AS PER SPEC'S BELOW & EXCEL SHEET. NO ALTERNATE SPEC WILL BE ACCEPTED.

Seaton Center IT Req's	Description	Quantity	URL LINK
Securing and Protecting		1	STI-EM121204 Metal Protective Cabinet 12" H x 12" W x 4" D, Beige
Switches	C1300-48FP-4X	5	https://www.cdw.ca/product/cisco-catalyst-1300-48fp-4x-switch-48-ports-managed-rack-mountable/7542498?fta=1
UPS	APC - Smart-UPS 3000VA	1	https://www.cdw.ca/product/apc-by-schneider-electric-smart-ups-x-3000va-short-depth-tower-rack-convert/3106782?pfm=srh
Rack	26U Wall mount Enclosure	1	https://www.cdw.ca/product/tripp-lite-26u-ups-depth-wall-mount-rack-enclosure-cabinet-hinged-back/4133684?pfm=srh
Meeting Room Solution	Crestron Solution MX50	1	https://www.cdw.ca/product/crestron-flex-uc-mx50-t-for-medium-microsoft-teams-rooms-video-conferen/7228792?enkwr=Crestron%2bMX50
Meeting Room TV	SmartTV - LG 65"	1	GC will provide a commercial grade 65 inch Smart LG TV.
WIFI	Meraki AP MR44	2	https://www.cdw.ca/product/cisco-meraki-mr44-wireless-access-point-wi-fi-6-cloud-managed/6328113?enkwr=Meraki%2bMR44
Security System	AXIS Cameras	5	Five (5), AXIS M3086-V M30 Series 4MP Fixed Mini Dome WDR IP Camera, 2.4mm Lens, White, (Replaces M3066-V)
Card Reader Controller	KanTech / Genetec	1	Genetec - Mercury Intelligent Controller, Linux Based, 2In/2Out/2Rd, PoE+ Support (Software Connections included)
Card Reader Equipment Type	KanTech / Genetec	2	Signo 40K Wall Mount Keypad Reader, 13.56MHz and 125kHz, OSDP/Wiegand, Pigtail, Mobile Ready, Black with Silver Trim (Replaces RK40, RPK40)
Synergis support - 1 YR	KanTech / Genetec	2	ADV-RDR-AIO-1Y - Genetec™ Advantage for 1 Synergis™ Enterprise
Card Reader	KanTech / Genetec	2	TREX-LT (Requet to Exit sensor - Not required on IT door)
Card Reader	KanTech / Genetec	2	184-12-W - Door Contact - identifies when the door is open or closed
Cabling for Card Readers	Genetec	N/A	Genetec - WG-3114111218AWG-2 Cond FT6 Cable WG-3206110922AWG-6 Cond FT6, Shielded Cable WG-3103111222AWG-4 Cond FT6 Cable
Door Strike	Generic Electronic Door strike	2	Genetec - HES1006Electric Strike

For all security items - please reach out to CoP security vendor for pricing to S&I:

**Phantom Security:
Tom Beckering
tom@phantomsecurity.ca**



HID® Signo™ Readers

Models: 20, 40, 20K, 40K

READY FOR THE FUTURE NOW

- Mobile-ready by default, including Apple's Enhanced Contactless Polling (ECP) to support credentials in Apple Wallet
- Sleek, innovative design to suit modern architecture
- Integrated OSDP for secure authentication and configuration post installation
- Built on a hardware platform designed to be adaptable to support future technology
- Designed to seamlessly integrate into the HID Origo® ecosystem

THE SIGNATURE LINE OF READERS FROM HID GLOBAL

- **Highly Versatile** — Support for the widest range of credential technologies, including HID Mobile Access® via native Bluetooth and Near Field Communication (NFC).
- **Unparalleled Performance** — Ultra secure storage of cryptographic keys on certified secure element hardware, plus a new surface detection feature that enables the reader to automatically recalibrate and optimize read range performance.
- **Connected to the Future** — All readers include out-of-the-box support for Open Supervised Device Protocol (OSDP) for secure bidirectional communication.

HID Signo™ is the signature line of physical access control readers from HID Global. The versatility, performance and connected capabilities of HID Signo readers set a new industry benchmark for the most highly adaptable, interoperable and secure approach to electronic access control.

Offering an unparalleled breadth of functionality, HID Signo affords security system installers and administrators a simple and effective approach to secure access control for almost any scenario.

With support for the widest array of credential technologies — past, present and future — HID Signo is the perfect choice for those looking to make the transition to a secure authentication technology.

HID Signo readers transcend the traditional approach to security by being designed to be connected and managed remotely without needing to physically touch each device. This functionality empowers access control systems to dynamically respond as new needs, configurations or threats arise.

POWERFULLY SECURE

- Multi-Layered security to ensure data authenticity and privacy
- EAL5+ Certified Secure Element Hardware
- Native OSDP secure channel capability
- Trusted secure authentication using the SIO data model
- Supports iCLASS Elite™ and Corporate 1000 Programs

MEET EVERY NEED, ADAPT TO ANY SITUATION

- Go mobile with native Bluetooth and NFC support
- Integrated 125 kHz credential read support for easy migration
- Supports over 15 common credential technologies
- Flush mount terminal block and pigtail wiring options
- Robust outdoor performance with an IP65 rating

MANAGE, UPGRADE AND CONFIGURE

- Easily and securely managed using HID Reader Manager®
- Configure via a mobile device or OSDP
- Update firmware in response to threats
- Personalize by configuring audio visual or keypad settings
- Deactivate legacy credential technology to conclude secure migration

SPECIFICATIONS

HID Signo Reader Model	20	20K	40	40K
2.4 GHz (Bluetooth) Credential Compatibility	Mobile Credentials powered by Seos® (HID Mobile Access)			
13.56 MHz (NFC) Credential Compatibility	Seos, iCLASS SE®, iCLASS SR®, iCLASS®, MIFARE Classic, MIFARE DESFire EV1/EV2, Mobile Credentials powered by Seos (HID Mobile Access)			
125 kHz Credential Compatibility	HID Proximity®, Indala® Proximity, AWID Proximity, and EM Proximity			
Typical Read Range¹	Seos®, MIFARE Classic, MIFARE DESFire EV1/EV2 & ISO14443A Single Technology Cards - 1.6 to 4 in (4 to 10 cm) HID / AWID Proximity®, Indala Proximity®, EM Proximity & 125 kHz Single Technology Cards - 2.4 to 4 in (6 to 10 cm)			
Mounting	Suited for mullion-mount door installations or any flat surface mounting		Suited to mount and cover single gang switch boxes with a slotted mounting plate for alternate back-box spacing	
Color	Black bezel with silver trim baseplate ²			
Keypad	No	Yes (2 x 6 layout)	No	Yes (3 x 4 layout)
Dimensions (width x length x depth)	1.77 in x 4.78 in x 0.77 in (45 mm x 121.5 mm x 19.5 mm)	1.78 in x 4.79 in x 0.85 in (45 mm x 121.5 mm x 21.5 mm)	3.15 in x 4.78 in x 0.77 in (80 mm x 121.5 mm x 19.5 mm)	3.16 in x 4.79 in x 0.85 in (80 mm x 121.5 mm x 21.5 mm)
Product Weight	Pigtail: 3.35 oz (95 g) Terminal: 2.65 oz (75 g)	Pigtail: 3.88 oz (110 g) Terminal: 3.17 oz (90 g)	Pigtail: 4.94 oz (140 g) Terminal: 4.23 oz (120 g)	Pigtail: 5.64 oz (160 g) Terminal: 4.94 oz (140 g)
Operating Voltage	12V DC			
Current Draw³	NSC ⁴ : 60 mA Peak: 250 mA Max. Avg: 70 mA IPM ⁵ : 45 mA	NSC ⁴ : 65 mA Peak: 250 mA Max. Avg: 75 mA IPM ⁵ : 48 mA	NSC ⁴ : 65 mA Peak: 250 mA Max. Avg: 75 mA IPM ⁵ : 45 mA	NSC ⁴ : 70 mA Peak: 250 mA Max. Avg: 80 mA IPM ⁵ : 55 mA
Device Input and Output	Input: Tri-color LED, Buzzer, Hold @ Active Low Output: Tamper Relay 0-60V DC @ 100mA Max (Dry Contact)			
Operating Temperature & Humidity	-31° F to +150° F (-35° C to +66° C) 0% to 95% non-condensing			
Storage Temperature	-40° F to +185° F (-40° C to +85° C)			
Environmental Rating	UL294 Outdoor and Indoor rated, IP65			
Transmit Frequency	125 kHz, 13.56 MHz, and 2.4 GHz			
Communications & Panel Connection	Wiegand and RS-485 Half Duplex (OSDP) via Pigtail (18 in / 0.5 m) or Terminal Strip			
Device Management	HID Reader Manager / OSDP configuration			
Certifications	UL294/cUL (US), FCC (US), IC (Canada), CE (EU), RCM (Australia, New Zealand), SRRC (China), KCC (Korea), NCC (Taiwan), iDA (Singapore), RoHS, MIC (Japan), GreenCircle, Bluetooth SIG, and additional regions. www.hidglobal.com/certifications			
Security Ratings	EAL 5+ Certified Secure Element Hardware			
Patents	www.hidglobal.com/patents			
Housing Materials	Polycarbonate - UL94 V0			
UL Reference Number	20	20K	40	40K
Warranty	Limited Lifetime			



hidglobal.com

North America: +1 512 776 9000
Toll Free: 1 800 237 7769
Europe, Middle East, Africa: +44 1440 714 850
Asia Pacific: +852 3160 9800
Latin America: +52 55 9171 1108

An ASSA ABLOY Group brand

¹ Read range listed is statistical mean rounded to nearest centimeter increment for ID-1 or clamshell credentials. HID Global testing occurs in open air. Form factor, technology and environmental conditions, including metallic mounting surface, can degrade read range performance; plastic spacers are recommended to improve performance on metallic mounting surfaces.

² Black trim baseplate & reader spacers available as an additional accessory at an additional cost.

³ Measured in accordance with UL294 standards; see Installation Guide for details.

⁴ NSC - Normal Standby Current; see Installation Guide for details.

⁵ Intelligent Power Management (IPM) - Reduces reader current consumption up to 43%, based on model, compared to standard operating mode.

© 2020 HID Global Corporation/ASSA ABLOY AB. All rights reserved. HID, HID Global, the HID Blue Brick logo, the Chain Design, HID Signo, iCLASS Elite, HID Reader Manager, Seos, iCLASS SE, iCLASS SR, iCLASS, HID Proximity, and Indala are trademarks or registered trademarks of HID Global or its licensor(s)/supplier(s) in the US and other countries and may not be used without permission. All other trademarks, service marks, and product or service names are trademarks or registered trademarks of their respective owners.

2020-05-20-pacs-signo-reader-family-ds-en

PLT-04831





What can we help you find today?

APC by Schneider Electric Smart-UPS X 3000VA Short Depth Tower/Rack Convertible LCD 208V

MFG # SMX3000HVT CDW # 3106782 UNSPSC 39121011



Add to Cart

Buy Now

Add to Compare

Save to Favorites

Quick Tech Specs

- Up to 6.30 minute runtime on full load to preserve critical data from power shortage interruptions
- 3 kVA load capacity provides sufficient
- Prevent critical data loss by staying powered during a blackout with up to 2.70 kW load capacity

Choose A Warranty

No Protection Plan

power f

View All ↓

Know Y

Questions about Power Products?

Let me help!

This APC S... managers or network administrators to maintain business uptime, data transfer and continuity during prolonged power outages. The 3kVA line interactive 4U rack/tower UPS provides pure sine wave power to support critical electronics during power disruptions. The SMX comes with NEMA L6-20P input, 2x NEMA L6-20R, 4x IEC 320 C13 and 2x IEC 320 C19 outlets. The UPS has a SmartSlot for optional Network Management Card that enables graceful shutdown of physical servers, virtual machines & HCI Clusters via PowerChute Network Shutdown. This uninterrupt power supply can connect to EcoStruxure IT or third-party centralized management platforms. The SMX UPS has a 3-year warranty, and the built-in lead-acid battery has a 2-year warranty. This is compatible with dedicated user-replaceable battery, and the APC replacement battery cartridge helps restore UPS performance to the original specifications. The Smart-UPS comes with a pair of tower-mounting stabilizing feet and rack-mounting brackets. The 3 switchable outlet groups allow more granular management of the power supplied to your devices. The Emergency Power Off feature enables the UPS to remotely shutdown during emergencies.

APC by Schneider Electric Service Pack - Extended **\$398.99**
Warranty - 3 Year - Warra
[View Details](#)

-  **Accessories**
-  **More Warranties**
-  **Services**

Tech Specs



Compare to Similar Model ↓

Expand all Specs +

Overview	↓	Product Information	↓
Network & Communication	↓	Dimensions & Weight	↓
Connectivity	↓	Physical Characteristics	↓



AXIS M3086-V Dome Camera

Fixed 4 MP mini dome with deep learning

This cost-efficient mini dome offers a wide-angle view of 130° and features Wide Dynamic Range (WDR) to ensure clarity even when there's both dark and light areas in the scene. With Lightfinder, it delivers sharp color images even in low light. A deep learning processing unit enables intelligent analytics based on deep learning on the edge. And AXIS Object Analytics offers detection and classification of different types of objects. Additionally, the variant AXIS M3086-V Mic with a built-in microphone, it's out-of-the-box ready for AXIS Audio Analytics.

- > [Great image quality in 4 MP](#)
- > [Lightfinder and WDR](#)
- > [Analytics with deep learning](#)
- > [Variant with built-in microphone](#)
- > [Axis edge vault safeguards the device](#)



AXIS M3086-V Dome Camera

Camera	
Variants	AXIS M3086-V AXIS M3086-V Mic
Image sensor	1/2.7" progressive scan RGB CMOS
Lens	2.4 mm, F2.1 Horizontal field of view: 130° Vertical field of view: 93° Fixed iris, IR corrected
Day and night	Automatic IR-cut filter
Minimum illumination	With Lightfinder: Color: 0.19 lux at 50 IRE F2.1 B/W: 0.03 lux at 50 IRE F2.1
Shutter speed	1/38500 s to 1/5 s
Camera angle adjustment	Pan ±175°, tilt ±80°, rotation ±175° Can be directed in any direction and see the wall/ceiling
System on chip (SoC)	
Model	CV25
Memory	1024 MB RAM, 512 MB Flash
Compute capabilities	Deep learning processing unit (DLPU)
Video	
Video compression	H.264 (MPEG-4 Part 10/AVC) Main and High Profiles H.265 (MPEG-H Part 2/HEVC) Main Profile Motion JPEG
Resolution	16:9: 2688x1512 (4 MP) to 640x360 4:3: 2304x1728 (4 MP) to 320x240
Frame rate	25/30 fps with power line frequency 50/60 Hz in H.264 and H.265 ^a
Video streaming	Multiple, individually configurable streams in H.264, H.265 and Motion JPEG Axis Zipstream technology in H.264 and H.265 Controllable frame rate and bandwidth VBR/ABR/MBR H.264/H.265
WDR	WDR: Up to 120 dB depending on scene
Multi-view streaming	Up to 2 individually cropped out view areas in full frame rate
Image settings	Saturation, contrast, brightness, sharpness, white balance, day/night threshold, exposure mode, exposure zones, compression, rotation: 0°, 90°, 180°, 270° including corridor format, mirroring, dynamic text and image overlay, privacy masks
Image processing	Axis Zipstream, WDR, Lightfinder
Pan/Tilt/Zoom	Digital PTZ
Audio	
Audio features	Automatic gain control 10-band graphic equalizer for audio input Audio privacy control ^b Voice enhancer through portcast technology Speaker pairing
Audio streaming	Two-way (full duplex) Audio analytics even when audio streaming is off ^b
Audio input	Input through portcast technology Built-in microphone (disabled by default): MEMS microphone ^b
Audio output	Output through speaker pairing or portcast technology
Audio encoding	AAC-LC 8/16/32/44.1/48 kHz, G.711 PCM 8 kHz, G.726 ADPCM 8 kHz, Opus 8/16/48 kHz, LPCM 48 kHz Configurable bitrate
Microphone	
SNR	71 dB(A) (94 dB SPL @ 1 m A-weighted with -10 dB) ^b
Max SPL	130 dB (10% THD) ^b
Frequency range	20 Hz to 20 kHz ^b
Network	
Network protocols	IPv4, IPv6 USGv6, ICMPv4/ICMPv6, HTTP, HTTPS ^c , HTTP/2, TLS ^c , QoS Layer 3 DiffServ, FTP, SFTP, CIFS/SMB, SMTP, mDNS (Bonjour), UPnP ^d , SNMP v1/v2c/v3 (MIB-II), DNS/DNSv6, DDNS,

NTP, NTS, RTSP, RTCP, RTP, SRTP/RTSPS, TCP, UDP, IGMPv1/v2/v3, DHCPv4/v6, SSH, LLDP, CDP, MQTT v3.1.1, Secure syslog (RFC 3164/5424, UDP/TCP/TLS), Link-Local address (ZeroConf), IEEE 802.1X (EAP-TLS), IEEE 802.1AR

System integration

Application Programming Interface	Open API for software integration, including VAPIX [®] , metadata and AXIS Camera Application Platform (ACAP); specifications at axis.com/developer-community . ACAP includes Native SDK. One-click cloud connection ONVIF [®] Profile G, ONVIF [®] Profile M, ONVIF [®] Profile S, and ONVIF [®] Profile T, specifications at onvif.org
Video management systems	Compatible with AXIS Companion, AXIS Camera Station, video management software from Axis' Application Development Partners available at axis.com/vms
Onscreen controls	Privacy masks Media clip
Edge-to-edge	Speaker pairing
Event conditions	Application Audio: audio detection Device status: above/below/within operating temperature, IP address blocked, IP address removed, new IP address, network lost, system ready, live stream active Edge storage: recording ongoing, storage disruption, storage health issues detected I/O: manual trigger, virtual input, digital input via accessories using portcast technology MQTT: subscribe Scheduled and recurring: schedule Video: average bitrate degradation, tampering
Event actions	Day-night mode LEDs: flash status LED, flash status LED while the rule is active MQTT: publish Notification: HTTP, HTTPS, TCP and email Overlay text Recordings SNMP traps Upload of images or video clips: FTP, SFTP, HTTP, HTTPS, network share and email WDR mode External output activation via accessories using portcast technology
Built-in installation aids	Pixel counter, level grid
Analytics	
Applications	Included AXIS Object Analytics, AXIS Scene Metadata, AXIS Audio Analytics ^b , AXIS Live Privacy Shield ^d , AXIS Video Motion Detection, active tampering alarm, audio detection Supported AXIS People Counter Support for AXIS Camera Application Platform enabling installation of third-party applications, see axis.com/acap
AXIS Object Analytics	Object classes: humans, vehicles (types: cars, buses, trucks, bikes) Scenarios: line crossing, object in area, time in area, crossline counting, occupancy in area, motion in area, motion line crossing Up to 10 scenarios Other features: triggered objects visualized with color-coded bounding boxes, polygon include/exclude areas, perspective configuration, ONVIF motion alarm event
AXIS Audio Analytics	Only valid for variant with built-in microphone Features: adaptive audio detection, audio classification Audio classes: scream, shout Event metadata: audio detections, classifications
AXIS Scene Metadata	Object classes: humans, faces, vehicles (types: cars, buses, trucks, bikes), license plates Object attributes: vehicle color, upper/lower clothing color, confidence, position Audio data: audio level
Approvals	
Product markings	CE, FCC, ICES, RCM, VCCI, BIS

Supply chain	TAA compliant
EMC	EN 55032 Class A, EN 55035, EN 61000-6-1, EN 61000-6-2 Australia/New Zealand: RCM AS/NZS CISPR 32 Class A Canada: ICES-3(A)/NMB-3(A) Japan: VCCI Class A Korea: KS C 9835, KS C 9832 Class A USA: FCC Part 15 Subpart B Class A
Safety	IEC/EN/UL 62368-1, IS 13252
Environment	IEC 60068-2-1, IEC 60068-2-2, IEC 60068-2-6, IEC 60068-2-14, IEC 60068-2-27, IEC 60068-2-78, IEC/EN 60529 IP42, IEC/EN 62262 IK08
Network	NIST SP500-267
Cybersecurity	ETSI EN 303 645
Cybersecurity	
Edge security	Software: Signed OS, brute force delay protection, digest authentication, password protection Hardware: Axis Edge Vault cybersecurity platform Secure element (CC EAL 6+), system-on-chip security (TEE), Axis device ID, secure keystore, signed video, secure boot, encrypted filesystem (AES-XTS-Plain64 256bit)
Network security	IEEE 802.1X (EAP-TLS) ^c , IEEE 802.1AR, HTTPS/HSTS ^c , TLS v1.2/v1.3 ^c , Network Time Security (NTS), X.509 Certificate PKI, IP address filtering
Documentation	<i>AXIS OS Hardening Guide</i> <i>Axis Vulnerability Management Policy</i> <i>Axis Security Development Model</i> AXIS OS Software Bill of Material (SBOM) To download documents, go to axis.com/support/cybersecurity/resources To read more about Axis cybersecurity support, go to axis.com/cybersecurity
General	
Casing	IP42 water- and dust-resistant (to comply with IP42, follow Installation Guide), IK08 impact-resistant, polycarbonate/ABS casing Encapsulated electronics Color: white NCS S 1002-B For repainting instructions, go to the product's support page. For information about the impact on warranty, go to axis.com/warranty-implication-when-repainting .
Power	Power over Ethernet (PoE) IEEE 802.3af/802.3at Type 1 Class 2 Typical 3.6 W, max 4.2 W
Connectors	Network: Shielded RJ45 10BASE-T/100BASE-TX PoE Audio: Audio and I/O connectivity via portcast technology
Storage	Support for microSD/microSDHC/microSDXC card Support for SD card encryption (AES-XTS-Plain64 256bit) Recording to network-attached storage (NAS)

	For SD card and NAS recommendations see axis.com
Operating conditions	Temperature: 0 °C to 45 °C (32 °F to 113 °F) Humidity: 10–85% RH (non-condensing)
Storage conditions	Temperature: -40 °C to 65 °C (-40 °F to 149 °F) Humidity: 5–95% RH (non-condensing)
Dimensions	For the overall product dimensions, see the dimension drawing in this datasheet.
Weight	150 g (0.33 lb)
Box content	Camera, installation guide
Optional accessories	AXIS TM3812 Tamper Cover AXIS T61 Audio and I/O Interface Series Black casing Smoked dome AXIS Surveillance microSDXC™ Card For more accessories, go to axis.com/products/axis-m3086-v#accessories
System tools	AXIS Site Designer, AXIS Device Manager, product selector, accessory selector, lens calculator Available at axis.com
Languages	English, German, French, Spanish, Italian, Russian, Simplified Chinese, Japanese, Korean, Portuguese, Polish, Traditional Chinese, Dutch, Czech, Swedish, Finnish, Turkish, Thai, Vietnamese
Warranty	5-year warranty, see axis.com/warranty
Part numbers	Available at axis.com/products/axis-m3086-v#part-numbers
Sustainability	
Substance control	PVC free, BFR/CFR free in accordance with JEDEC/ECA Standard JS709 RoHS in accordance with EU RoHS Directive 2011/65/EU and EN 63000:2018 REACH in accordance with (EC) No 1907/2006. For SCIP UUID, see echa.europa.eu
Materials	Renewable carbon-based plastic content: 57% (recycled) Screened for conflict minerals in accordance with OECD guidelines To read more about sustainability at Axis, go to axis.com/about-axis/sustainability
Environmental responsibility	axis.com/environmental-responsibility Axis Communications is a signatory of the UN Global Compact, read more at unglobalcompact.org

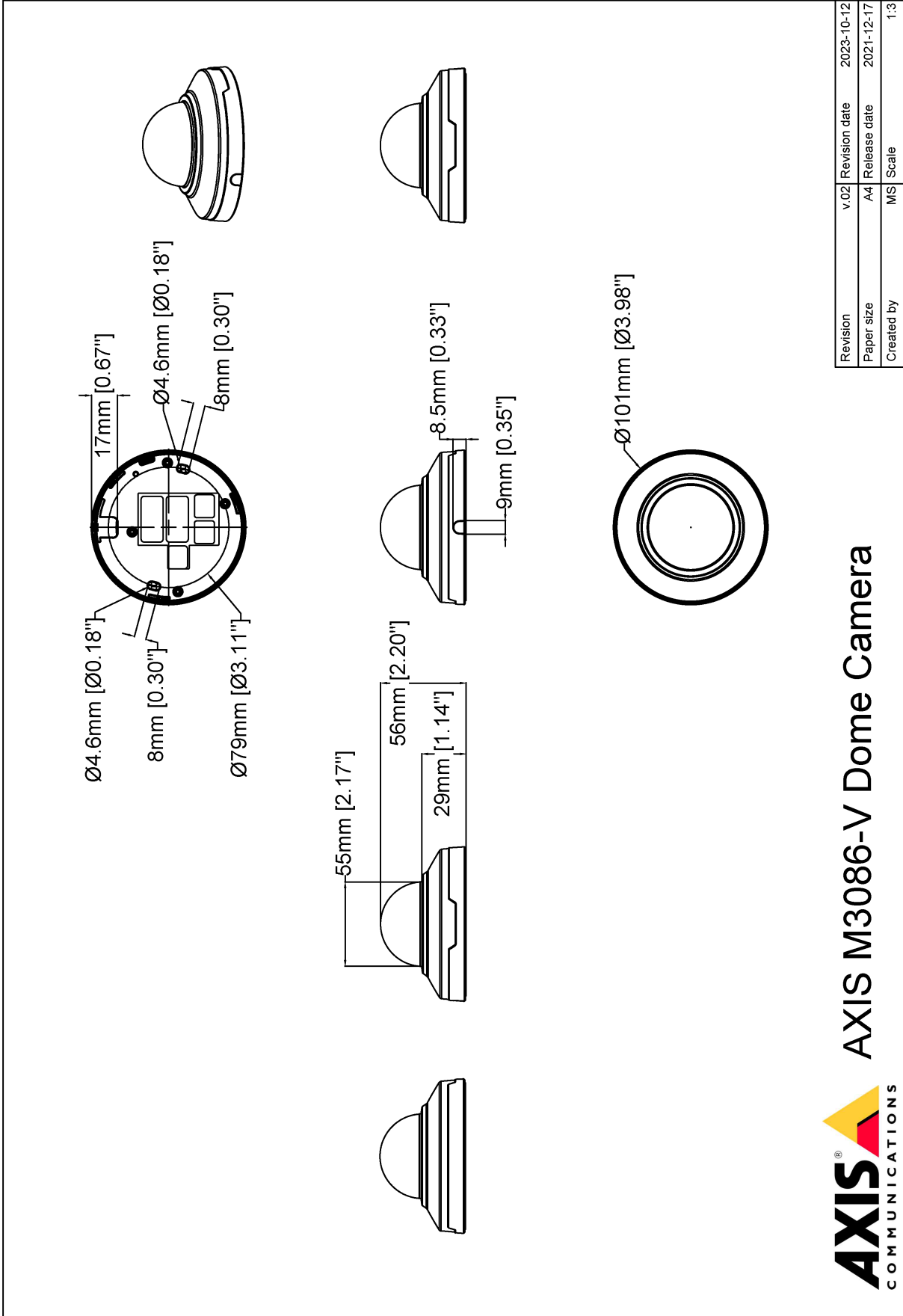
- Reduced frame rate in Motion JPEG
- Only valid for variant with built-in microphone
- This product includes software developed by the OpenSSL Project for use in the OpenSSL Toolkit. (openssl.org), and cryptographic software written by Eric Young (eyay@cryptsoft.com).
- Available for download

Detect, Observe, Recognize, Identify (DORI)

	DORI definition	Distance
Detect	25 px/m (8 px/ft)	48.4 m (158.8 ft)
Observe	63 px/m (19 px/ft)	19.2 m (63.0 ft)
Recognize	125 px/m (38 px/ft)	9.7 m (31.8 ft)
Identify	250 px/m (76 px/ft)	4.8 m (15.7 ft)

The DORI values are calculated using pixel densities for different use cases as recommended by the EN-62676-4 standard. The calculations use the center of the image as the reference point and consider lens distortion. The possibility to recognize or identify a person or object depends on factors such as object motion, video compression, lighting conditions, and camera focus. Use margins when planning. The pixel density varies across the image, and the calculated values can differ from the distances in the real world.

Dimension drawing

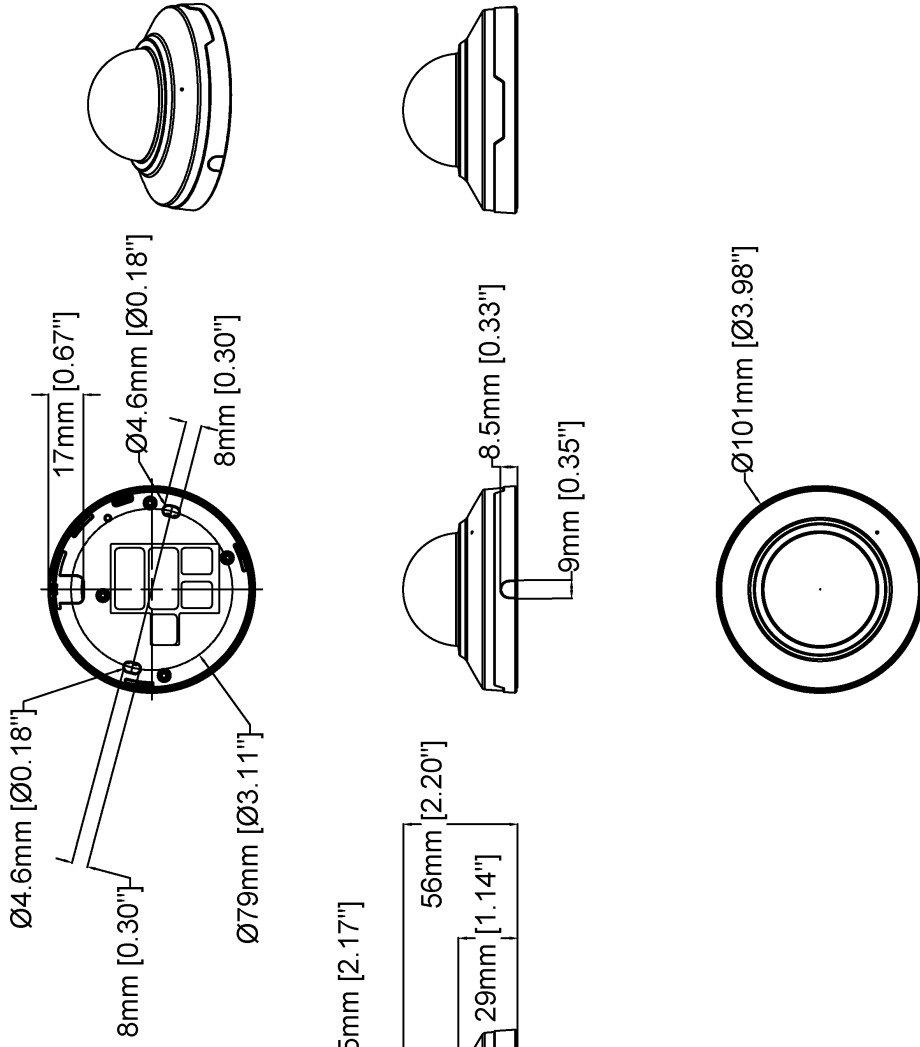


AXIS M3086-V Dome Camera

Revision	v.02	Revision date	2023-10-12
Paper size	A4	Release date	2021-12-17
Created by	MS	Scale	1:3

© 2023 Axis Communications

www.axis.com



AXIS M3086-V Mic Dome Camera

Revision	v.01	Revision date	2023-10-12
Paper size	A4	Release date	2023-10-12
Created by	MS	Scale	1:3

Highlighted capabilities

AXIS Object Analytics

AXIS Object Analytics is a preinstalled, multifeatured video analytics that detects and classifies humans, vehicles, and types of vehicles. Thanks to AI-based algorithms and behavioral conditions, it analyzes the scene and their spatial behavior within – all tailored to your specific needs. Scalable and edge-based, it requires minimum effort to set up and supports various scenarios running simultaneously.

AXIS Audio Analytics

AXIS Audio Analytics uses adaptive audio detection to generate alarms on sudden increases in sound volume. With AI-based classifiers, it can detect screaming and shouting. You can also get extra confirmation by combining AXIS Audio Analytics with video analytics. This smart application only transmits metadata, ensuring privacy is safeguarded. A core feature of AXIS OS, AXIS Audio Analytics comes pre-installed at no extra cost.

Axis Edge Vault

Axis Edge Vault is the hardware-based cybersecurity platform that safeguards the Axis device. It forms the foundation that all secure operations depend on and offer features to protect the device's identity, safeguard its integrity and protect sensitive information from unauthorized access. For instance, **secure boot** ensures that a device can boot only with **signed OS**, which prevents physical supply chain tampering. With signed OS, the device is also able to validate new device software before accepting to install it. And the **secure keystore** is the critical building-block for protecting cryptographic information used for secure communication (IEEE 802.1X, HTTPS, Axis device ID, access control keys etc.) against malicious extraction in the event of a secu-

rity breach. The secure keystore and secure connections are provided through a Common Criteria or FIPS 140 certified hardware-based cryptographic computing module.

Furthermore, signed video ensures that video evidence can be verified as untampered. Each camera uses its unique video signing key, which is securely stored in the secure keystore, to add a signature into the video stream allowing video to be traced back to the Axis camera from where it originated.

To read more about Axis Edge Vault, go to axis.com/solutions/edge-vault.

Lightfinder

The Axis Lightfinder technology delivers high-resolution, full-color video with a minimum of motion blur even in near darkness. Because it strips away noise, Lightfinder makes dark areas in a scene visible and captures details in very low light. Cameras with Lightfinder discern color in low light better than the human eye. In surveillance, color may be the critical factor to identify a person, an object, or a vehicle.

Zipstream

The Axis Zipstream technology preserves all the important forensic in the video stream while lowering bandwidth and storage requirements by an average of 50%. Zipstream also includes three intelligent algorithms, which ensure that relevant forensic information is identified, recorded, and sent in full resolution and frame rate.

For more information, see axis.com/glossary



Cisco Catalyst 1300-48FP-4X - switch - 48 ports - managed - rack-mountable

MFG # C1300-48FP-4X CDW # 7542498



Add to Cart

Buy Now

Add to Compare

Save to Favorites

Quick Tech Specs

- 48FP-4X
- L3
- 48 x 10/100/1000 (PoE+) + 4 x 10 Gigabit SFP+
- PoE+ (740 W)
- Switch
- managed
- rack-mountable

View All ↓

Know Y

Questions about
Networking Products?

Let me help!

The Cisco C
connectivi
Layer 2/3 c

is part of the fully managed switch line that delivers reliable and secure
s. These switches accelerate your digital transformation by delivering full
dashboard, advanced networking features, and PoE+ support.

Tech Specs



Compare to Similar
Model ↓

Expand all Specs +

Overview

Brand	Cisco
Product Line	Cisco Catalyst
Model	1300-48FP-4X
Manufacturer	Cisco Systems

Processor

Clock Speed	1.4 GHZ
Processor Brand	ARM

Memory

Product Information

Included Items

Dimensions & Weight

Physical Characteristics

Certifications & Listings

Service & Support



Cisco Meraki MR44 - wireless access point - Wi-Fi 6 - cloud-managed

MFG # MR44-HW CDW # 6328113 UNSPSC 43222640



Buy Now

Add to Compare

Save to Favorites

Quick Tech Specs

- Wireless access point
- 2.4 GHz, 5 GHz
- cloud-managed
- Wi-Fi 6
- DC power

View All ↓



Know Y

The Cisco MR44 offers high performance and efficiency. The MR44 offers a maximum of 3 Gbps and real-time WIDS/WIPS with automated RF optimization, and a fourth integrated IoT radio delivers Bluetooth scanning and beaconing. With the combination of cloud management, high performance hardware, multiple radios, and advanced software features, the MR44 makes an outstanding platform for the most demanding of uses - including high-density deployments and bandwidth or performance-intensive applications like voice and high-definition video.

Questions about Networking Products?

Let me help!

ized 4x4:4 Wi-Fi 6 access point that raises the bar for wireless performance in high-density deployment scenarios. For high-density deployment scenarios, the MR44 provides a maximum of 3 Gbps and real-time WIDS/WIPS with automated RF optimization, and a fourth integrated IoT radio delivers Bluetooth scanning and beaconing. With the combination of cloud management, high performance hardware, multiple radios, and advanced software features, the MR44 makes an outstanding platform for the most demanding of uses - including high-density deployments and bandwidth or performance-intensive applications like voice and high-definition video.

Tech Specs

Expand all Specs +

Overview



Product Information



Network & Communication



Included Items



Connectivity



Physical Characteristics



Technical Information



Certifications & Listings





Crestron Flex UC-MX50-T - for Medium Microsoft Teams Rooms - video conferencing kit

MFG # 6511600

CDW # 7228792

UNSPSC 43191500



Quick Tech Specs

- MX50-T
- video conferencing kit
- For Medium Microsoft Teams Rooms

View All ↓



Know Y

The UC-MX
Teams Roc
conference
cables. TA

Questions about
Phones & Video Conferencing?

Let me help!

Provides a medium room video conference solution for use with Microsoft
. It supports single or dual video displays and features a tabletop
a, pre-built and ready-to-mount UC bracket assembly, power supply, and

Tech Specs

Expand all Specs +

Overview



Network & Communication



Connectivity



Display & Graphics



Audio



Video



Power



Technical Information



Product Information



Included Items



Dimensions & Weight



Physical Characteristics



Certifications & Listings





Tripp Lite 26U Wall Mount Rack Enclosure Server Cabinet Swinging Hinged Door Deep - rack - 26U

MFG # SRW26USDP CDW # 4133684



Quick Tech Specs

- 26U Wall-Mount Rack Enclosure Cabinet secures and organizes equipment in locations with limited floor space
- Wallmount Rack Enclosure/ Wallmount Cabinet/ Rack Enclosure Cabinet/ Wall Rack/ Wall Cabinet/ Server Racks
- Swings away from wall on hinge for easy back-door

- Maximum 250lbs
- Locking at sides
- Secures equipment

View All ↓

Questions about Power Products?

Let me help!

access

- Flow-through ventilation keeps equipment cool

Know Your Gear

The SRW26USDP SmartRack 26U UPS-Depth Wall-Mount Rack Enclosure Cabinet is designed to house EIA-standard 19-inch rack equipment in network wiring closets, retail locations, classrooms, back offices and other areas with limited floor space where you need equipment to be secure, organized and out of the way. Constructed from heavy-duty steel with a durable black powder-coated finish, the cabinet has a maximum load capacity of 113 kgs (250 lbs.)

The cabinet swings away from the wall on a sturdy hinge, allowing easy back-door access to equipment and cabling during installation and maintenance. The doors and side panels lock securely to help prevent damage, tampering or theft. The front, top, bottom and removable side panels are vented, which allows air to flow freely and keep equipment cool. The reversible doors can open left or right by rotating the cabinet 180° before mounting. Convenient top and bottom ports allow easy cable routing.

The SRW26USDP comes fully assembled and ready to mount to the wall, or use Tripp Lite's optional SRCASTER rolling caster kit to make it a mobile rack. Square and threaded mounting holes and numbered rack spaces make equipment installation easy. The vertical mounting rails adjust in 7/8-inch increments to accommodate equipment up to 24.5 inches deep, such as network switches, UPS systems and related battery packs and cabling.

Tech Specs

Expand all Specs