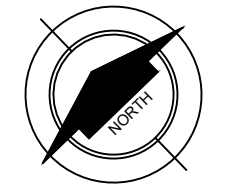


**AV SYSTEMS / ELECTRICAL LEGEND**

- J WIRED MIC AND AUDIO  
1-GANG J-BOX
- VC DOME  
1-GANG J-BOX
- VC FIELD H.  
1-GANG J-BOX
- PA AUDIO / MIC INPUT  
1-GANG J-BOX
- J3 AV IN/OUTPUT AT RACK  
3-GANG J-BOX
- AVS CEILING MOUNTED  
LOUDSPEAKERS
- ▲ ONE OR MORE DATA DROP
- QUAD 120V 15A POWER SUPPLY  
ON DEDICATED 20A CIRCUIT
- DUPLEX 120V 15A POWER  
SUPPLY

NOTE:  
PROVIDE 25MM EMT FROM ALL DEVICES



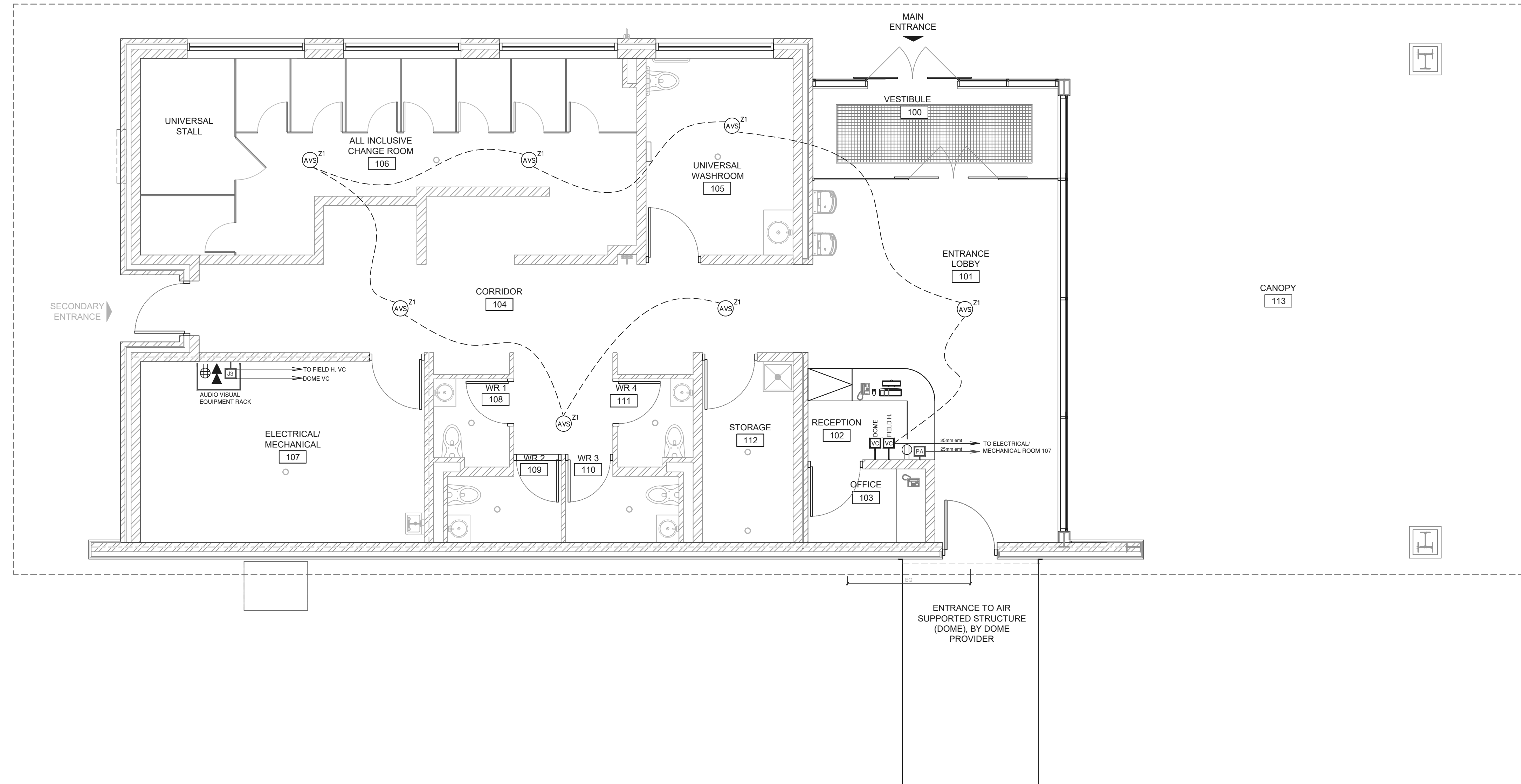
NO.	DATE.	REVISION
1	12/3/24	FOR REVIEW

CASSIE CAMPBELL  
COMMUNITY CENTRE DOME  
  
1610 SANDALWOOD PKWY  
BRAMPTON, ON

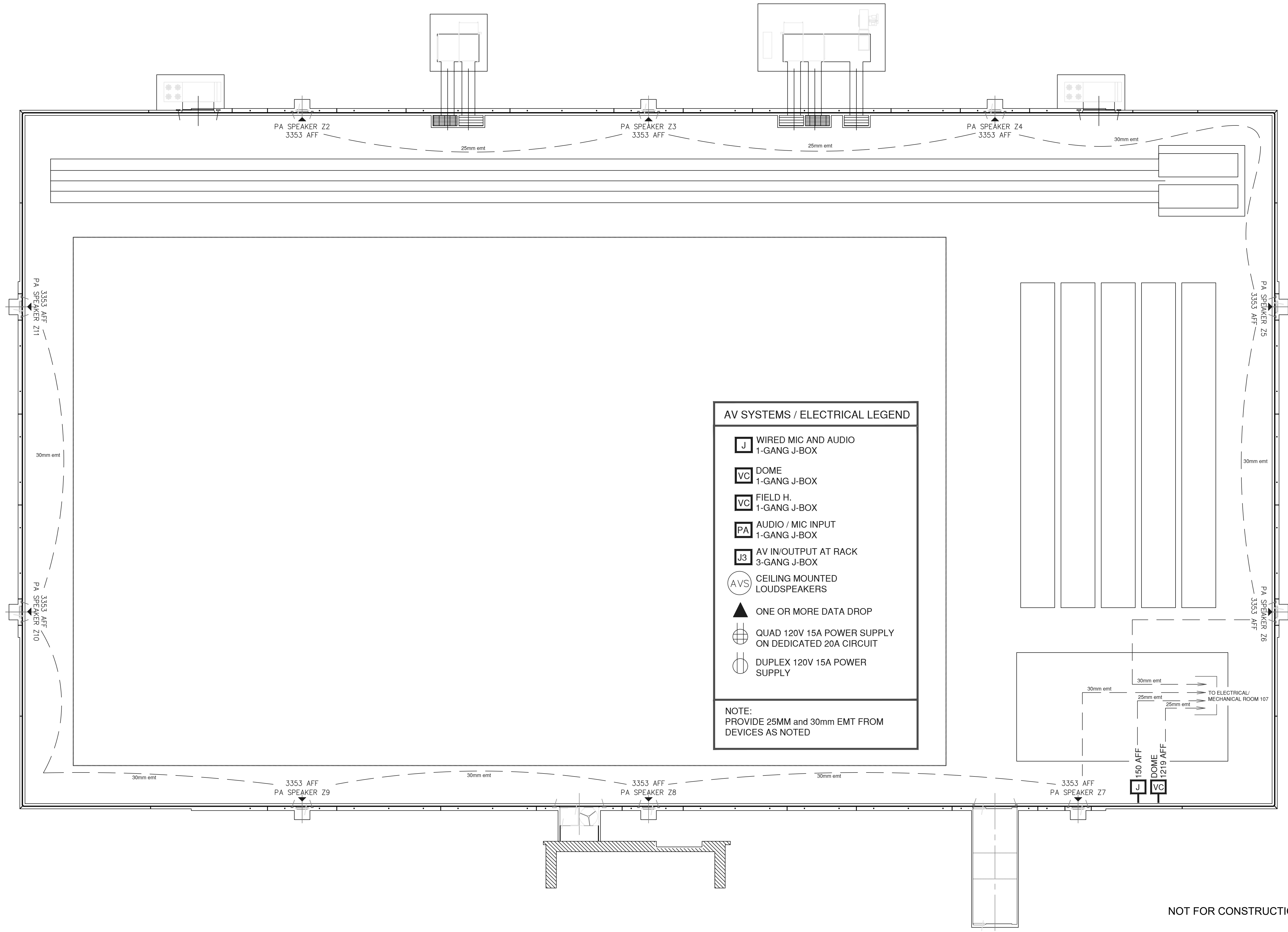
PA SYSTEM ELECTRICAL  
INFRASTRUCTURE  
REQUIREMENTS

DRN BY	EH
REVIEW BY	RN
SCALE	DO NOT SCALE
DATE	3-NOV-2024
PROJECT #	02215

**EAV201**



NOT FOR CONSTRUCTION



**AV SYSTEMS / ELECTRICAL LEGEND**

- J** WIRED MIC AND AUDIO 1-GANG J-BOX
- VC** DOME 1-GANG J-BOX
- VC** FIELD H. 1-GANG J-BOX
- PA** AUDIO / MIC INPUT 1-GANG J-BOX
- J3** AV IN/OUTPUT AT RACK 3-GANG J-BOX
- (AVS)** CEILING MOUNTED LOUDSPEAKERS
- ▲** ONE OR MORE DATA DROP
- ⊕** QUAD 120V 15A POWER SUPPLY ON DEDICATED 20A CIRCUIT
- ⊖** DUPLEX 120V 15A POWER SUPPLY

**NOTE:**  
PROVIDE 25MM and 30mm EMT FROM DEVICES AS NOTED

NO.	DATE.	REVISION
1	12/3/24	FOR REVIEW

CASSIE CAMPBELL  
COMMUNITY CENTRE DOME

1610 SANDALWOOD PKWY  
BRAMPTON, ON

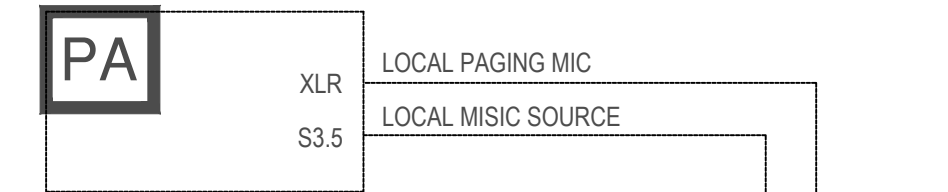
**PA SYSTEM ELECTRICAL  
INFRASTRUCTURE  
REQUIREMENTS**

DRN BY	EH
REVIEW BY	RN
SCALE	DO NOT SCALE
DATE	3-NOV-2024
PROJECT #	02215

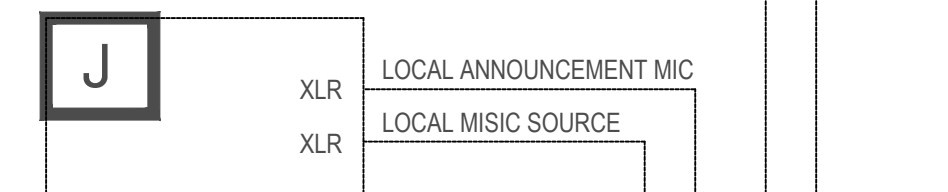
**EAV202**

NOT FOR CONSTRUCTION

FIELD HOUSE (AT RECEPTION)

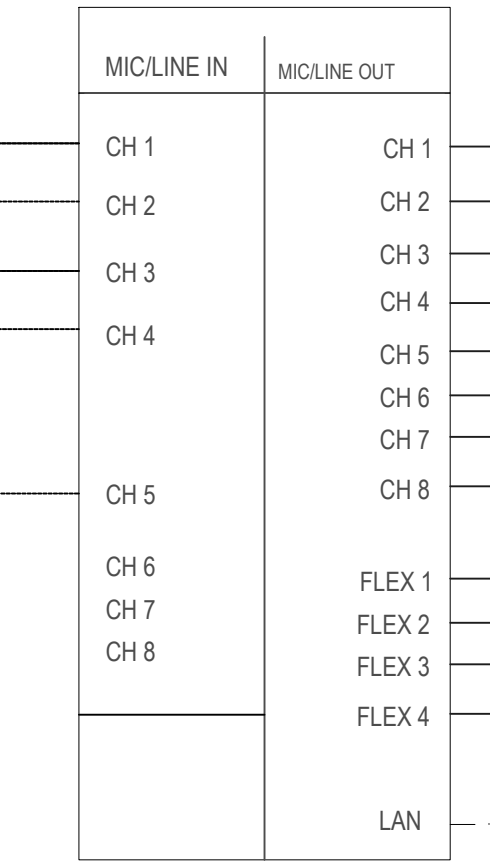


DOME



AUDIO SIGNAL PROCESSOR  
QSC CORE 110F V2

AUDIO SIGNAL PROCESSOR  
BIAMP / QSC



NETWORK AUDIO RECEIVER

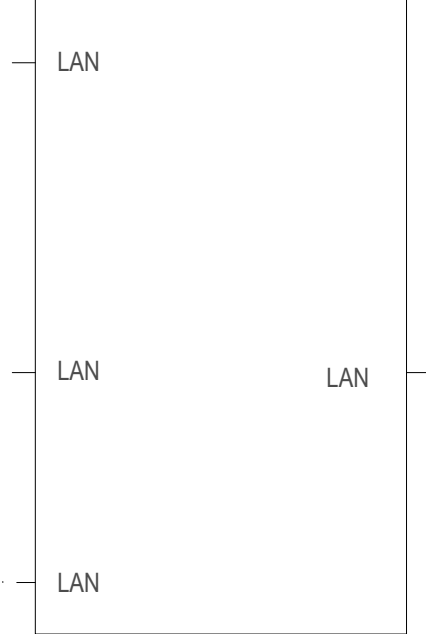


CITY NETWORK (IT)  
FROM CCCC EXISTING PA SYSTEM

AUDIO CONTROL (DOME @ RECEPTION)  
BIAMP / QSC



POE+ NETWORK SWITCH  
NETGEAR OR OTHER



AUDIO CONTROL (DOME)  
BIAMP / QSC

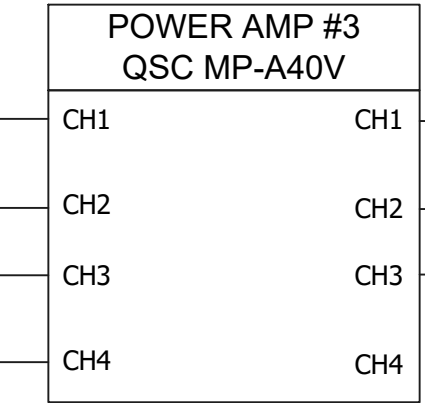
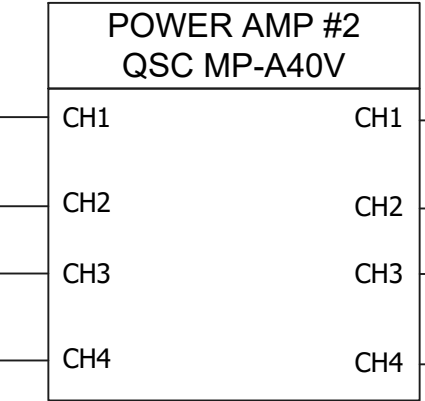
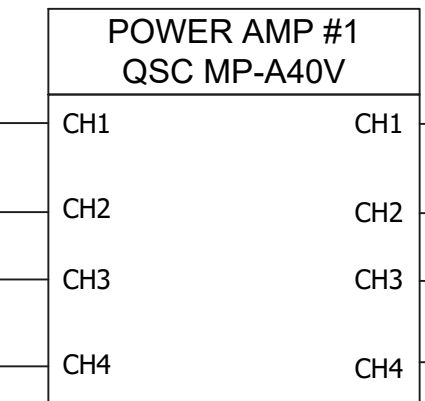


FROM CITY NETWORK (IT)

FIELD HOUSE / RECEPTION,  
WASHROOMS, ETC.

PENDANT SPEAKERS  
SUSPENDED FROM CEILING  
Z1 X7

DOME SPEAKER/HORNS



PAGING HORN SPEAKER  
TOA SC-610 - Z2

PAGING HORN SPEAKER  
TOA SC-610 - Z3

PAGING HORN SPEAKER  
TOA SC-610 - Z4

PAGING HORN SPEAKER  
TOA SC-610 - Z5

PAGING HORN SPEAKER  
TOA SC-610 - Z6

PAGING HORN SPEAKER  
TOA SC-610 - Z7

PAGING HORN SPEAKER  
TOA SC-610 - Z8

PAGING HORN SPEAKER  
TOA SC-610 - Z9

PAGING HORN SPEAKER  
TOA SC-610 - Z10

PAGING HORN SPEAKER  
TOA SC-610 - Z11

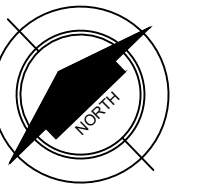
NOTE: THE AV VENDOR SHALL SUPPLY, INSTALL AND CONFIGURE AN AUDIO TRANSMITTER AT THE EXISTING COMMUNITY CENTRE PA SYSTEM RACK. THE TRANSMITTER SHALL CONVERT ANALOGUE AUDIO ONTO THE IT NETWORK FOR RECEIVING AND TRANSMISSION BY THE DOOM PA SYSTEM.

NETWORK AUDIO TRANSMITTER



CCCC EXISTING PA SYSTEM

CITY NETWORK (IT)  
TO DOME



NO.	DATE.	REVISION
1	12/3/24	FOR REVIEW

CASSIE CAMPBELL  
COMMUNITY CENTRE DOME  
  
1610 SANDALWOOD PKWY  
BRAMPTON, ON

PA SYSTEM CONCEPTUAL  
FUNCTIONAL BLOCK  
DIAGRAM

DRN BY	EH
REVIEW BY	RN
SCALE	DO NOT SCALE
DATE	3-NOV-2024
PROJECT #	02215

AV601

NOT FOR CONSTRUCTION