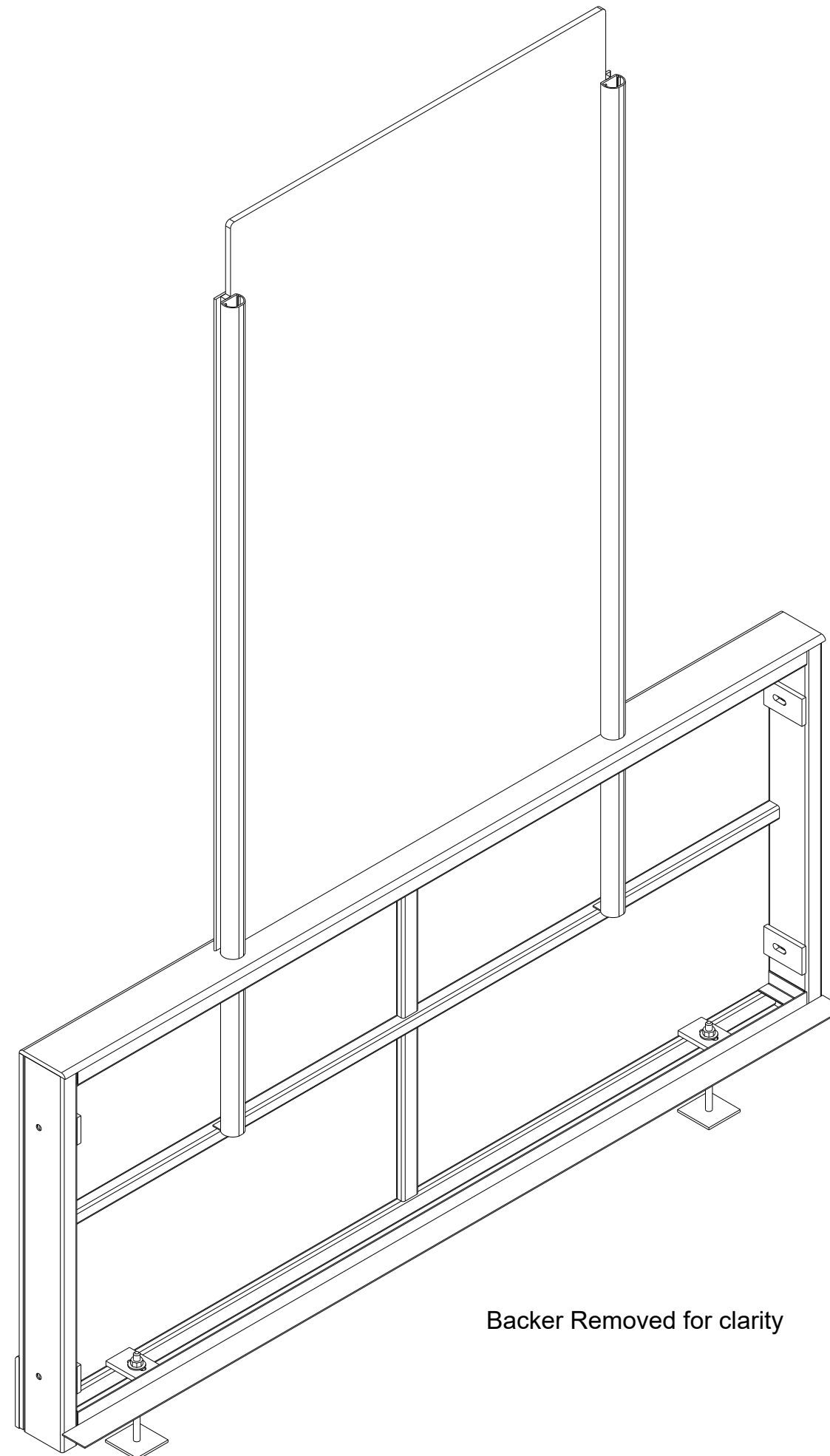


Grand Valley Arena
90 Main St. N,
Grand Valley, Ont.

Job #4080

Drawing Legend

- 1.1 Dasher Layout
- 1.2 Glazing Layout
- 1.3 Anchor Layout
- 1.4 Box Layout
- 1.5 Dasher Cross Sections
- 1.6 Gate Cross Sections
- 1.7 Lift Gate Details
- 1.8 Box Details
- 1.9 A-Frame Glazing Cart
(Glass storage Cart)



Backer Removed for clarity

HDPE Colors: White, Green, NHL Gold

Top Sill: 1/2" Green

Puck Board: 1/2" White

Kick Strip: 1/2" NHL Gold

Backer: 3/8" White as noted

Anchors: 5 7/8" x 5/8" Candle Stick

Netting: Existing Netting to Remain

Note:

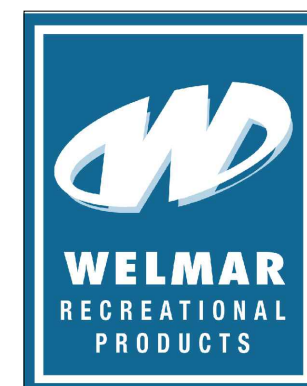
- 1/2" White HDPE Isolation Barrier around entire perimeter
- 1 Glass storage Dolly (A-Frame Glazing Cart)

Extra Stock:

- 200pcs of Each painted HDPE Fastener
- 5m² Additional Rubber Matting
- 2pcs TYP 1/2" Glazing for Sides
- 4pcs TYP 5/8" Glazing for Ends/Radii
- 6pcs TYP 1/2" White HDPE Puck Board for Sides, Ends & Radii

SITE VERIFY ALL DIMENSIONS

BALL BALL CONSTRUCTION LTD.	REVIEWED <input checked="" type="checkbox"/>
	REVIEWED AS NOTED <input type="checkbox"/>
	REVISE AND RESUBMIT <input type="checkbox"/>
<small>Review does not release the sub-contractor or supplier from responsibility for correctness of dimensions, fit of parts and compliance with drawings and specifications.</small>	



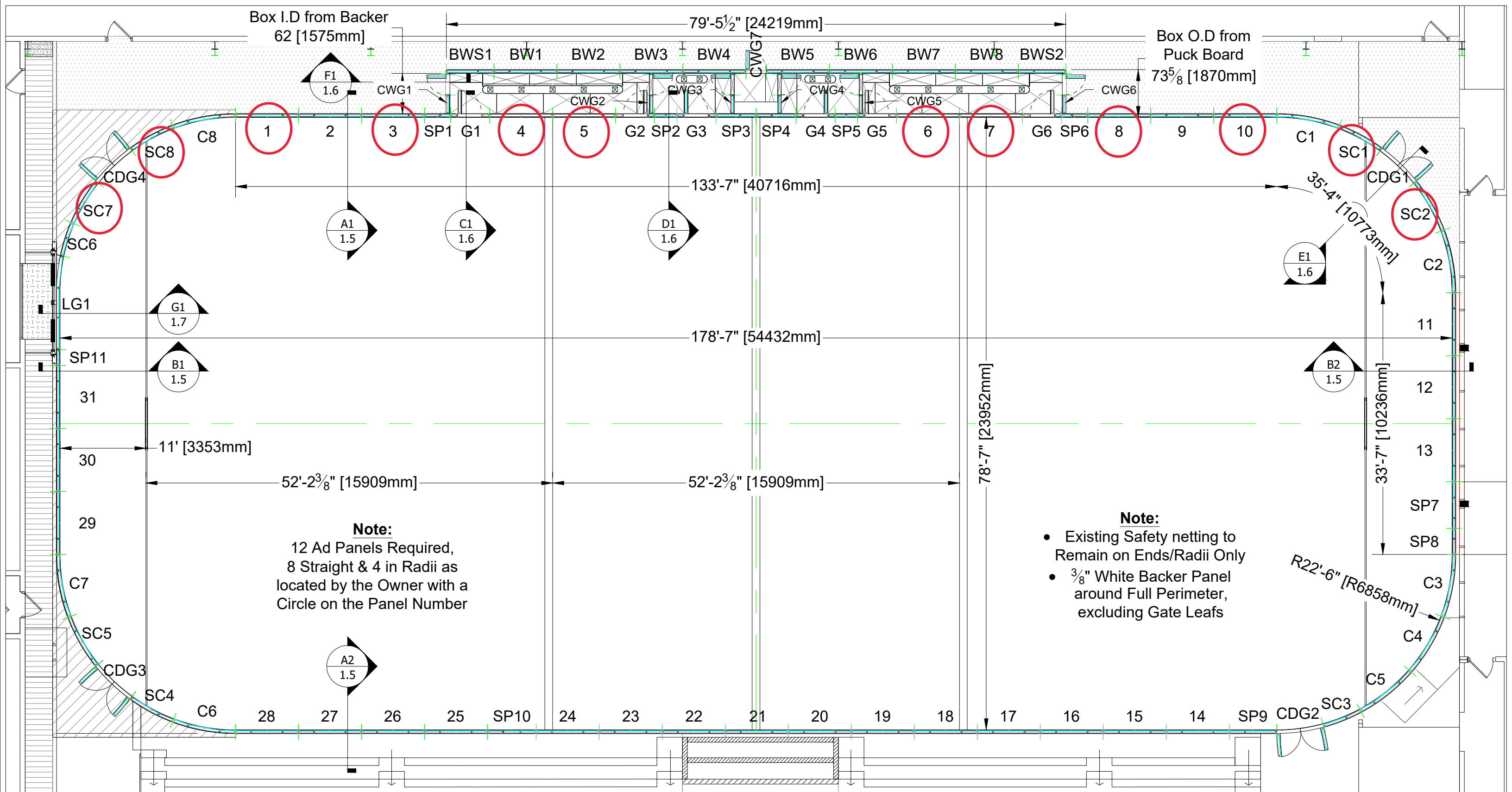
Revision Date:

Approval Date:

Draft Date: 5/24/2022

FP900A Dasher Board Systems

WWW.ARENABOARDS.COM



Note:
 12 Ad Panels Required,
 8 Straight & 4 in Radii as
 located by the Owner with a
 Circle on the Panel Number

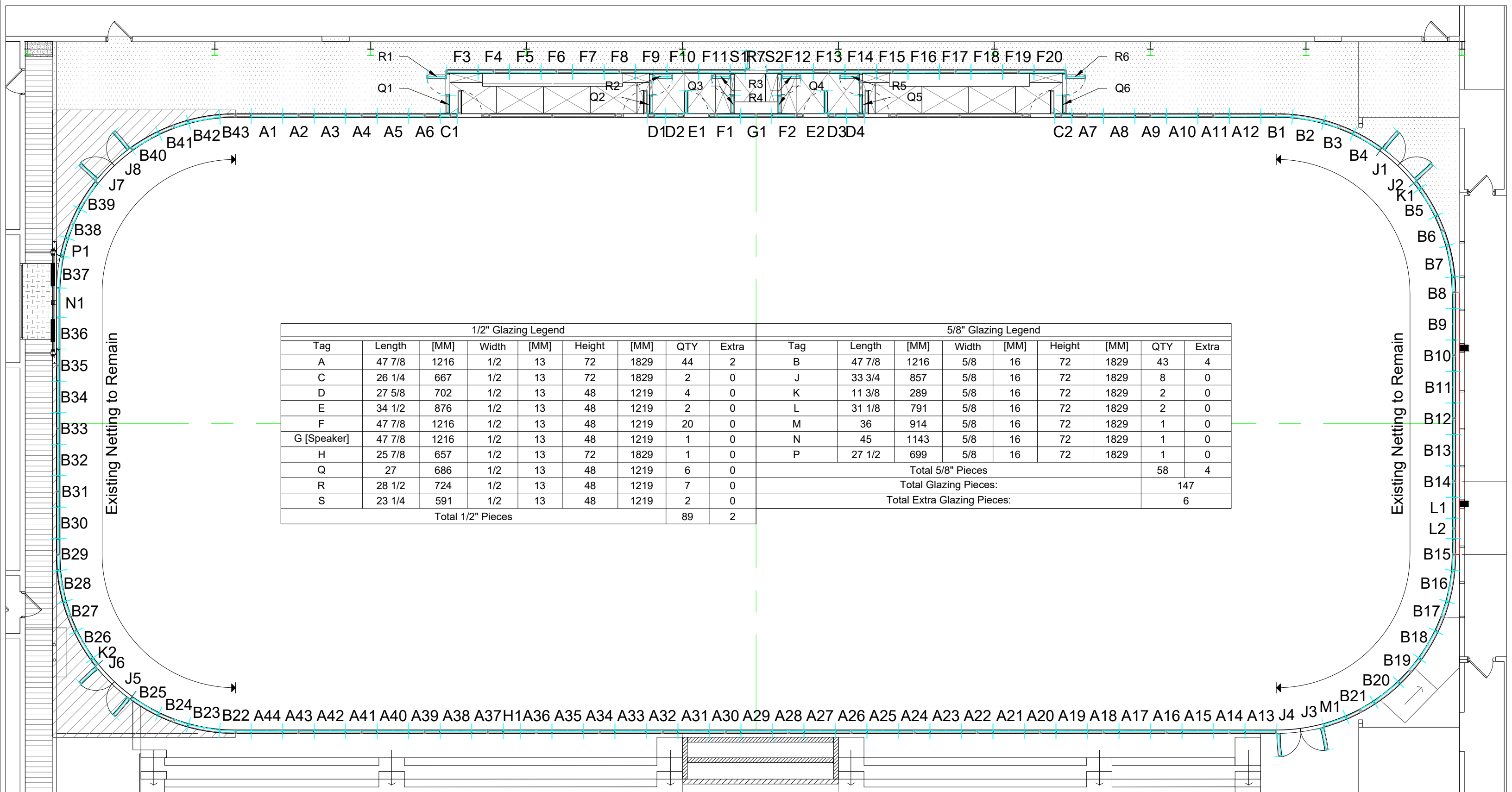
Note:

- Existing Safety netting to Remain on Ends/Radii Only
- 3/8" White Backer Panel around Full Perimeter, excluding Gate Leafs

FP900A Dashers						FP900A Curves: 22'-6" Radii					FP900A Gates: Out of Panel with 1" HDPE Threshold Top & 1/2" Isolation					FP900A - Cross Walls/Back Walls/Gates							
Finished Height: 48			Frame Height: 47			Tag	Top Sill	Kick Strip	Puck Board	Backer	Length	Tag	Gate	Opening	Swing	ISR	Threshold Frame	Finished Height: 46 1/2		Frame Height: 46			
Tag	Top Sill	Kick Strip	Puck Board	Backer	Length	C1-8	1/2	1/2	1/2	3/8	97	G1,5	36	60	R	No	1 1/2	Tag	Top Sill	Kick Strip	Puck Board	Backer	Length
1-31	1/2	1/2	1/2	3/8	97	SC1,4,7,8	1/2	1/2	1/2	3/8	73	G2,6	36	60	L	No	1 1/2	BW1-8	1/2	N/A	3/8	3/8	97
SP1,6	1/2	1/2	1/2	3/8	40 1/4	SC2,5	1/2	1/2	1/2	3/8	85	G3	36	60	R	Yes	1 1/2	BWS1-2	1/2	N/A	3/8	3/8	73
SP2,5	1/2	1/2	1/2	3/8	34 1/2	SC3	1/2	1/2	1/2	3/8	61	G4	36	60	L	Yes	1 1/2	Tag	Gate	Opening	Swing	ISR	Hinge & Latch
SP3,4	1/2	1/2	1/2	3/8	61 3/4	SC6	1/2	1/2	1/2	3/8	52 1/2	CDG1-4	35	72	Double	Yes	1 1/2	CWG1,3,5	30	31 1/2	R	Yes	2 x 28 1/2
SP7	1/2	1/2	1/2	3/8	72							LG1	143	144	Lift Gate		1 1/2	CWG2,4,6	30	31 1/2	L	Yes	2 x 28 1/2
SP8	1/2	1/2	1/2	3/8	40													CWG7	30	31 1/2	R	Yes	N/A
SP9	1/2	1/2	1/2	3/8	73																		
SP10	1/2	1/2	1/2	3/8	75																		
SP11	1/2	1/2	1/2	3/8	24 1/2																		

File	#4080		
Project	Grand Valley Arena		
Product	FP900A		
Drawing	Dasher Layout		Date 5/20/2022
Revision			Date -/-
Scale	DWG by NTS	CKD by MR	Pg CC 1.1

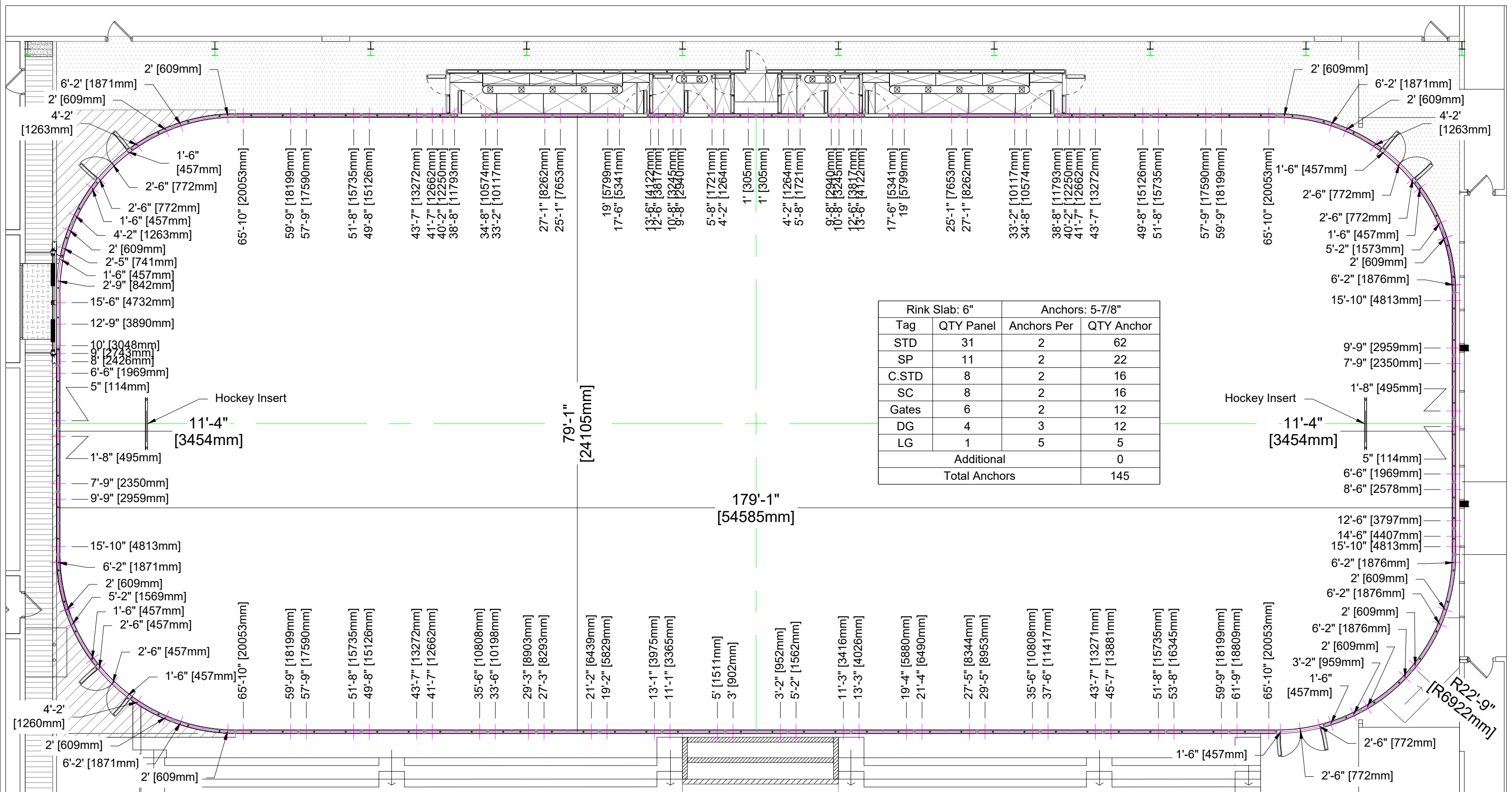




1/2" Glazing Legend									5/8" Glazing Legend										
Tag	Length	[MM]	Width	[MM]	Height	[MM]	QTY	Extra	Tag	Length	[MM]	Width	[MM]	Height	[MM]	QTY	Extra		
A	47 7/8	1216	1/2	13	72	1829	44	2	B	47 7/8	1216	5/8	16	72	1829	43	4		
C	26 1/4	667	1/2	13	72	1829	2	0	J	33 3/4	857	5/8	16	72	1829	8	0		
D	27 5/8	702	1/2	13	48	1219	4	0	K	11 3/8	289	5/8	16	72	1829	2	0		
E	34 1/2	876	1/2	13	48	1219	2	0	L	31 1/8	791	5/8	16	72	1829	2	0		
F	47 7/8	1216	1/2	13	48	1219	20	0	M	36	914	5/8	16	72	1829	1	0		
G [Speaker]	47 7/8	1216	1/2	13	48	1219	1	0	N	45	1143	5/8	16	72	1829	1	0		
H	25 7/8	657	1/2	13	72	1829	1	0	P	27 1/2	699	5/8	16	72	1829	1	0		
Q	27	686	1/2	13	48	1219	6	0	Total 5/8" Pieces						58	4			
R	28 1/2	724	1/2	13	48	1219	7	0	Total Glazing Pieces:						147				
S	23 1/4	591	1/2	13	48	1219	2	0	Total Extra Glazing Pieces:						6				
Total 1/2" Pieces							89	2											

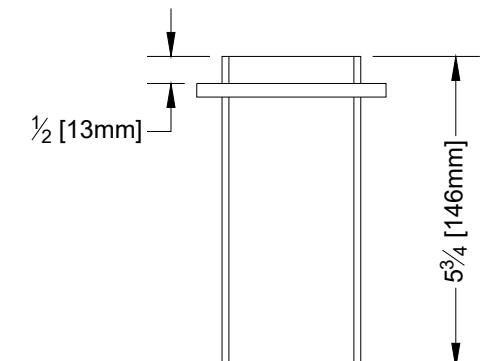
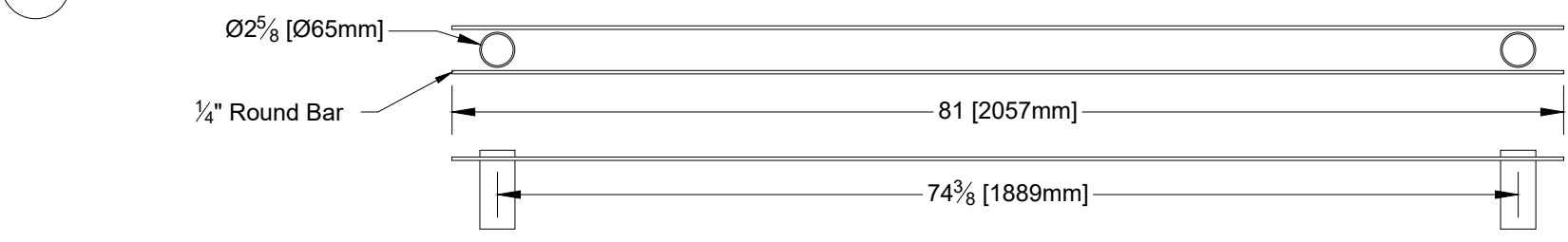
Note:
Existing Safety netting to
Remain on Ends/Radii Only


File	#4080						
Project	Grand Valley Arena						
Product	1/2" Sides & 5/8" Ends/Radii						
Drawing	Glazing Layout		Date		5/20/2022		
Revision					Date	-/-	
Scale	NTS	DWG by	MR	CKD by	CC	Pg	1.2



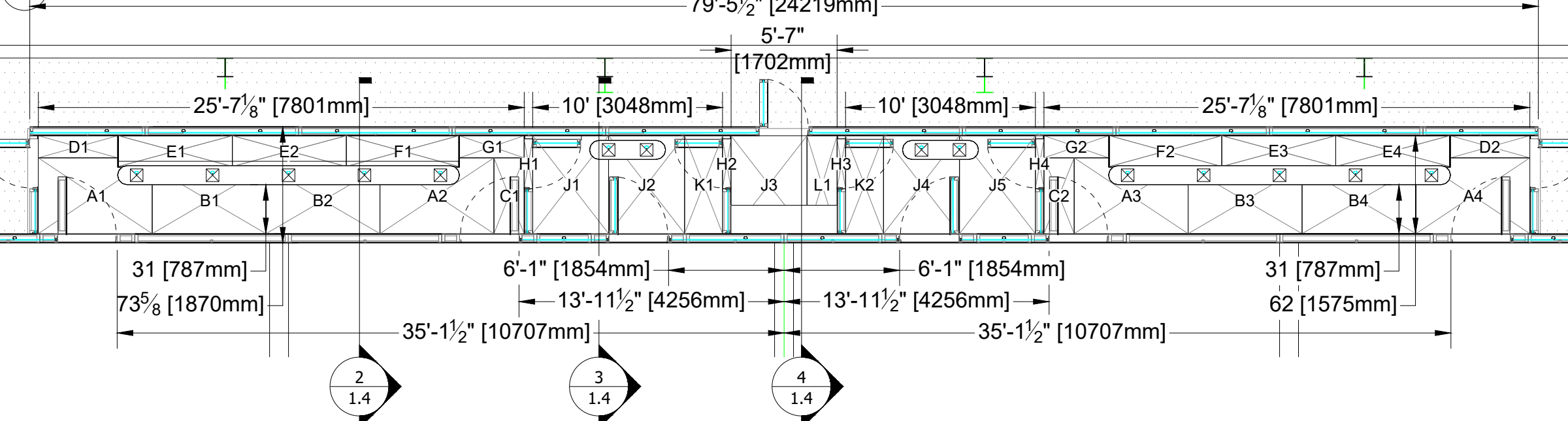
Rink Slab: 6"		Anchors: 5-7/8"	
Tag	QTY Panel	Anchors Per	QTY Anchor
STD	31	2	62
SP	11	2	22
C.STD	8	2	16
SC	8	2	16
Gates	6	2	12
DG	4	3	12
LG	1	5	5
Additional			0
Total Anchors			145

1.3 Hockey Goal Insert

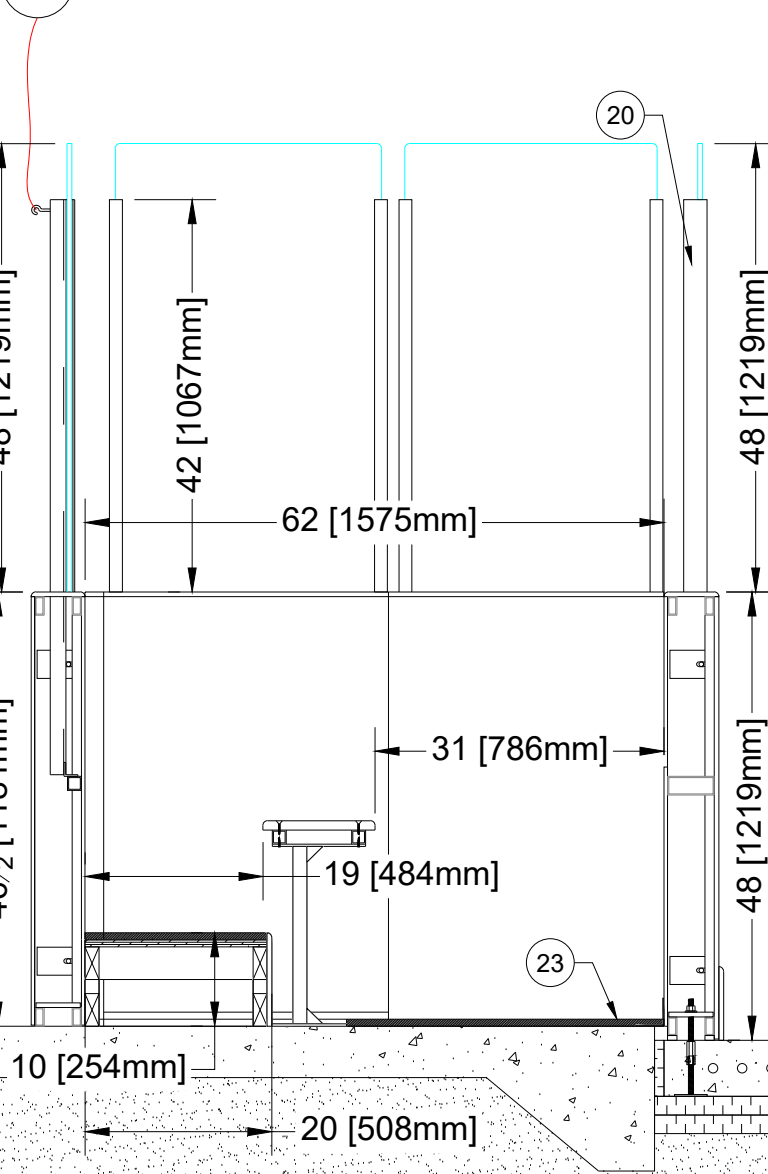


File	#4080		
Project	Grand Valley Arena		
Product	5/8" Cast in Place Anchors		Date
Drawing	Anchor Layout		5/20/2022
Revision			Date
Scale	DWG by	CKD by	Pg
NTS	MR	CC	1.3

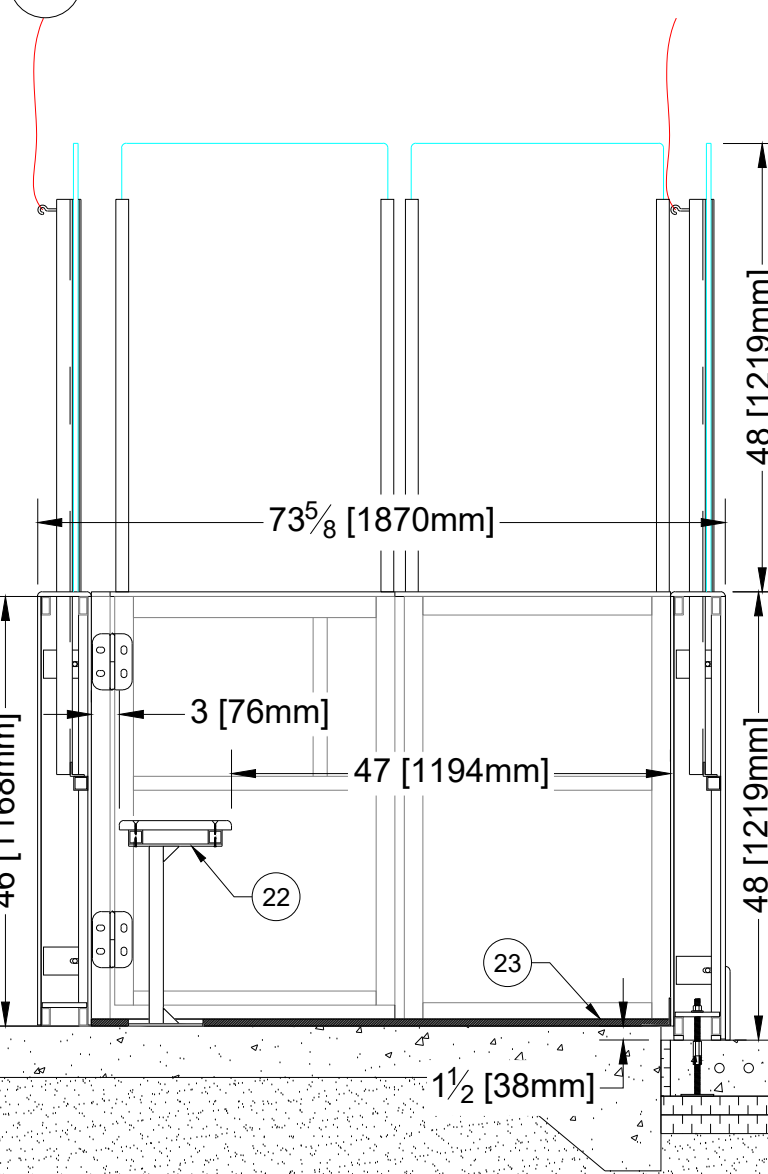
1 Box Layout



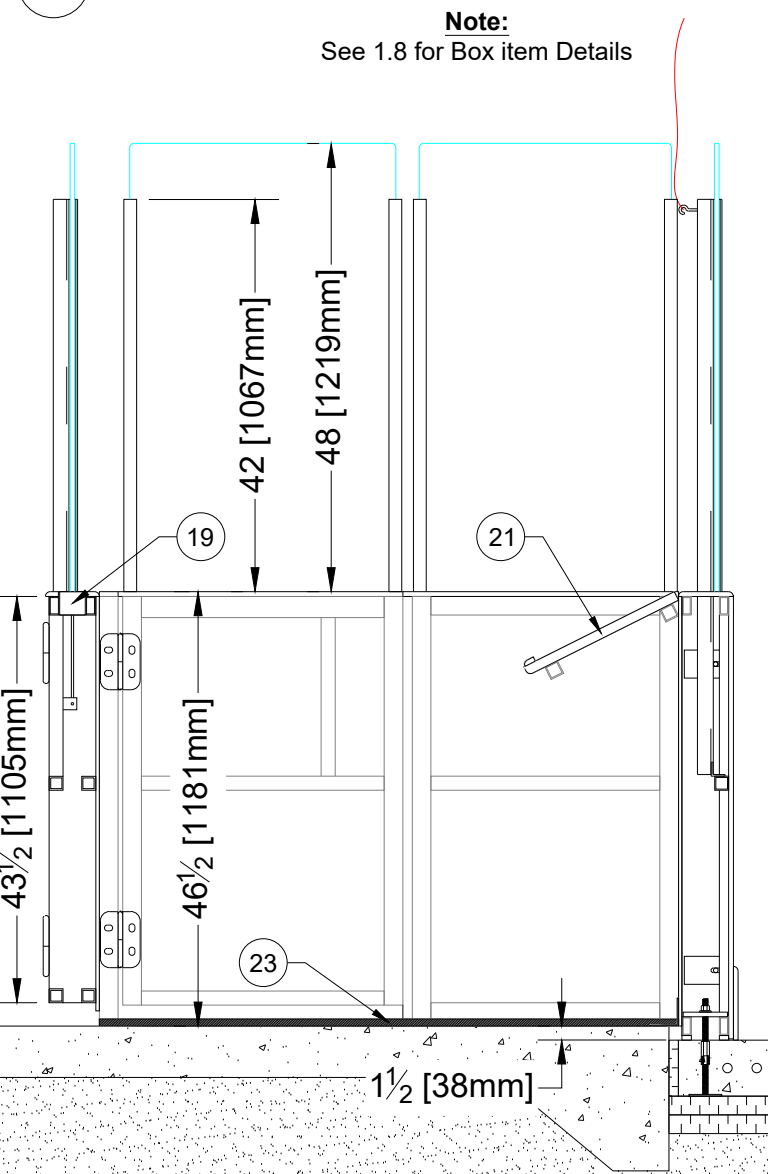
2 Players Box



3 Penalty Box



4 Timers Box



Note:
See 1.8 for Box item Details


Part List

[All measurements in inches]

Tag	Description	Size/Material	Finish
1	Top Sill	1/2 HDPE	Green
2	Puck Board	1/2 HDPE	White
3	Kick Strip	1/2 HDPE	NHL Gold
4	Backer	3/8 HDPE	White
5	Glazing	1/2" (See 1.2)	Clear
6	Glazing	5/8" (See 1.2)	Clear
7	Stringer	2 x 1 x 1/8	Alum
8	Stringer	1 1/2 x 1/8 Square	Alum
9	Stringer	5 x 2 x 1/8	Alum
10	Panel Washer	4 7/8 x 3 x 1/2	Alum
11	Anchor	5/8 x 5 7/8 Candle Stick	
12	Closure	Plastic	White
13	HDPE Isolator	1/2 Thick	White
14	Glazing Post & Face Plate	Extruded	Alum
15	J-Bolt	Confirm	-
16	Netting	Existing to Remain	
17	ISR Button (See 1.1)	HDPE	White
18	Lift Off Hinge	Stainless Steel	
19	Threshold Top	1 HDPE	White
20	F-Post	Extruded	Alum
21	Timers Table	1 1/2 Square tube with 1" HDPE	
22	Benches	12 x 1/2 HDPE	White
23	Matting	3/4 Loose Laid	Black
24	Cane Bolt	Stock	

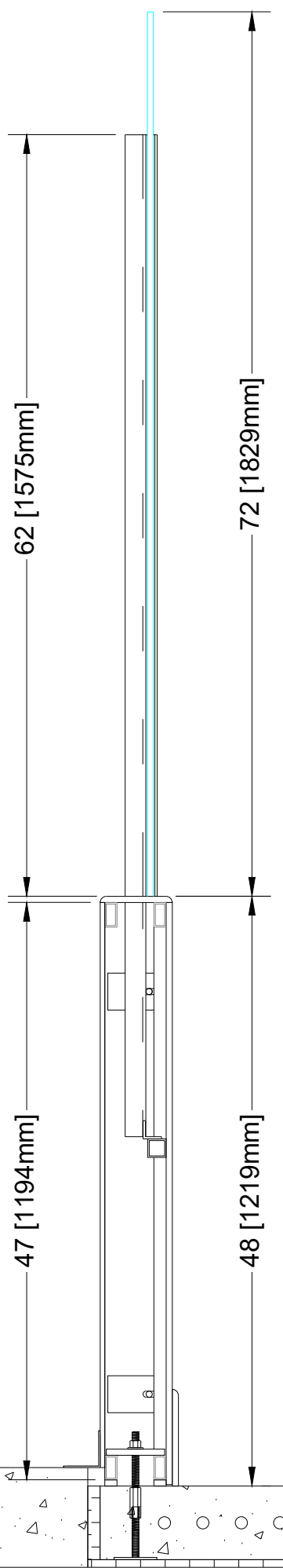
Matting Legend

Tag	Length [Inch]	Width [Inch]	Thickness [Inch]	Sq. Foot	QTY	QTY Sq. Foot
A	72	48	3/4	24.00	4	96.00
B	72	42	3/4	21.00	4	84.00
C	19	42	3/4	5.54	2	11.08
D	50 1/4	14	3/4	4.89	2	9.77
E	72	19 1/2	3/4	9.75	4	39.00
F	71	19 1/2	3/4	9.61	2	19.23
G	41	14	3/4	3.99	2	7.97
H	5 3/8	31 1/2	3/4	1.18	4	4.70
J	48	62	3/4	20.67	5	103.33
K	24	62	3/4	10.33	2	20.67
L	19	62	3/4	8.18	1	8.18
Total Pieces					32	N/A
Total Sq. Footage						404
Total QTY of 48 x 72 pcs [Round up]						16 5/6

File	#4080		
Project	Grand Valley Arena		
Product	FP900A	Date	5/20/2022
Drawing	Box Layout	Date	-/-
Scale	NTS	DWG by	MR
		CKD by	CC
		Pg	1.4

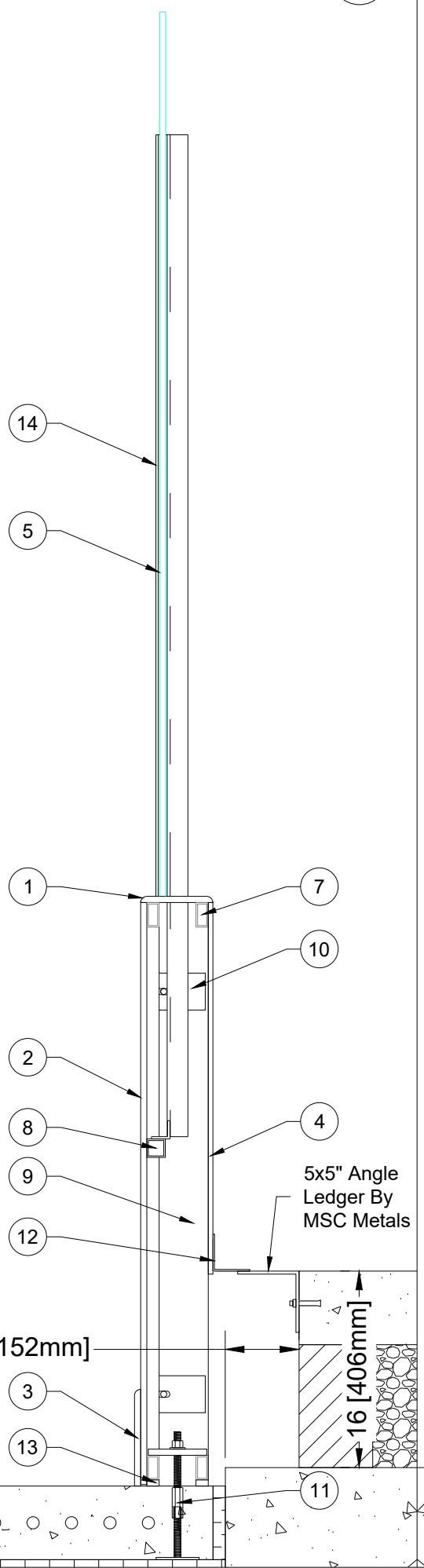
A1

Side Section



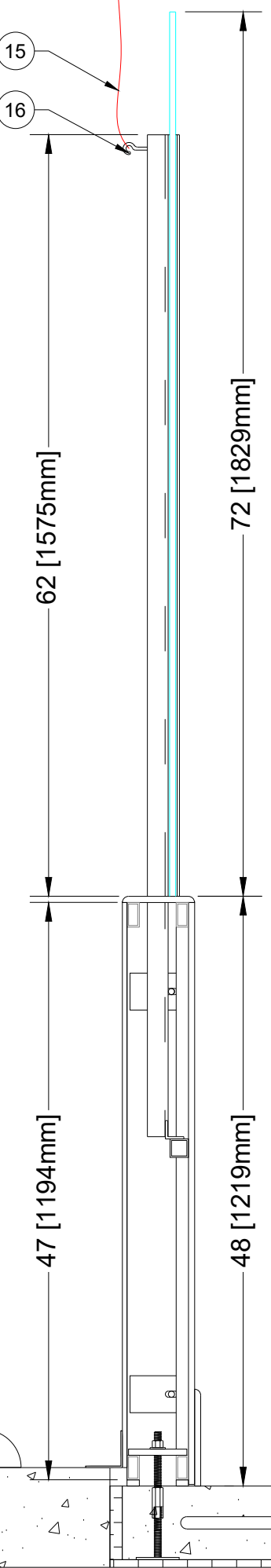
A2

Side Section



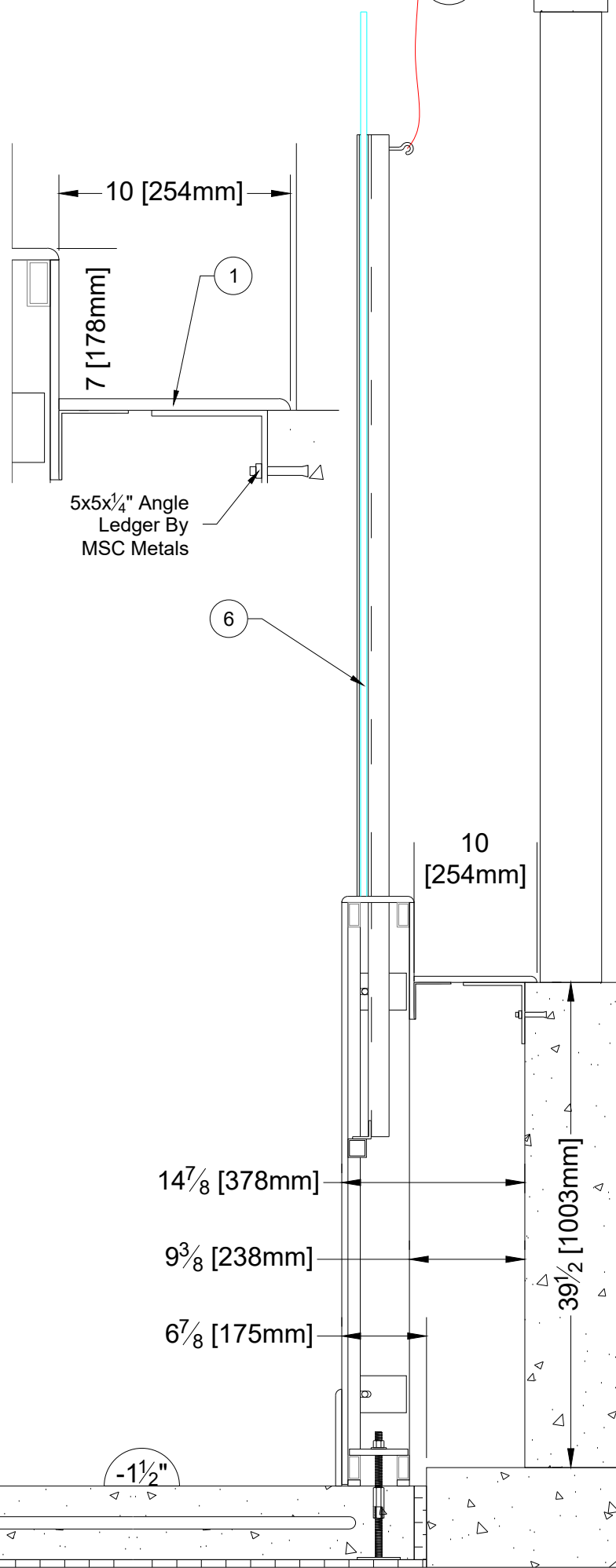
B1

End Section



B2

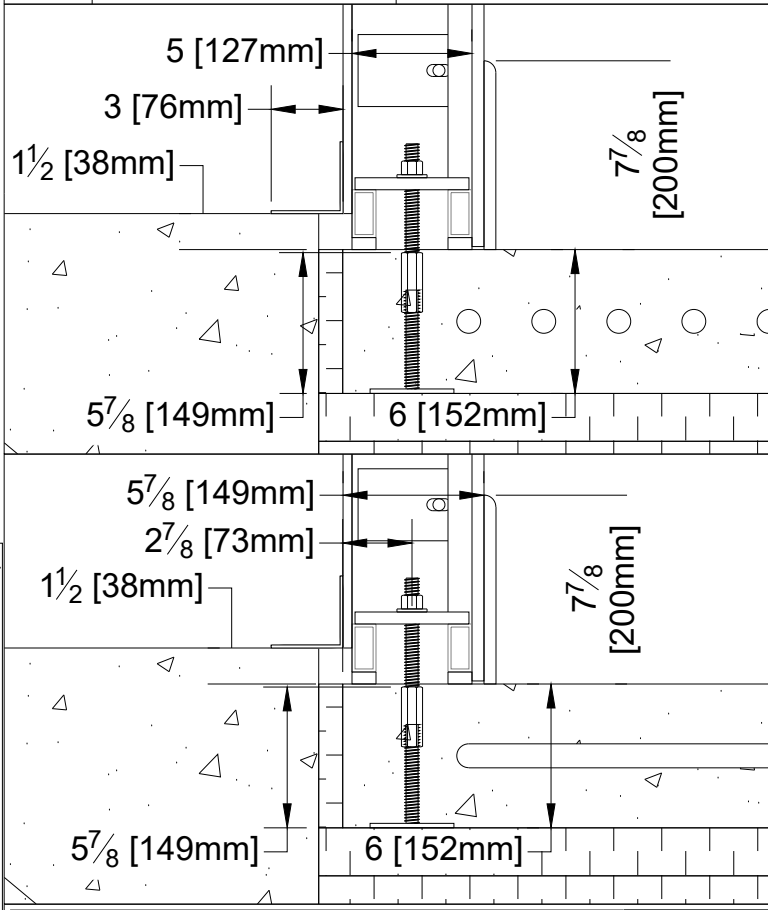
End Section



Part List

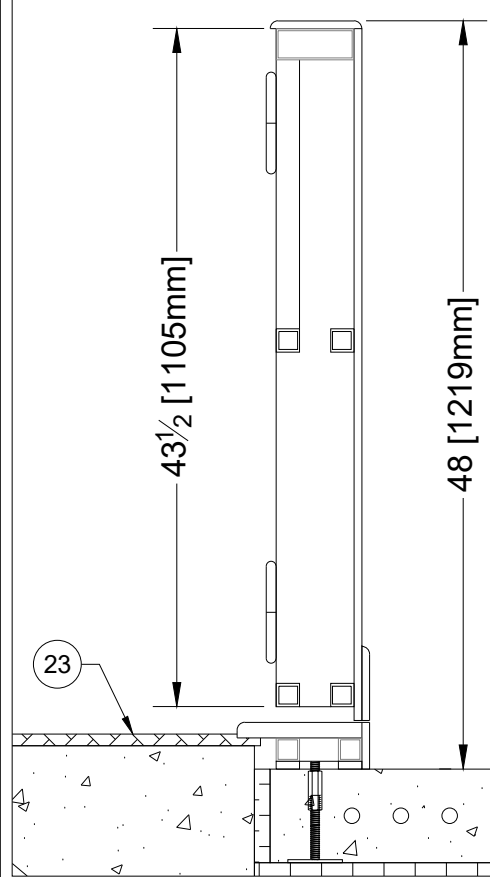
[All measurements in inches]

Tag	Description	Size/Material	Finish
1	Top Sill	1/2 HDPE	Green
2	Puck Board	1/2 HDPE	White
3	Kick Strip	1/2 HDPE	NHL Gold
4	Backer	3/8 HDPE	White
5	Glazing	1/2" (See 1.2)	Clear
6	Glazing	5/8" (See 1.2)	Clear
7	Stringer	2 x 1 x 1/8	Alum
8	Stringer	1 1/2 x 1/8 Square	Alum
9	Stringer	5 x 2 x 1/8	Alum
10	Panel Washer	4 7/8 x 3 x 1/2	Alum
11	Anchor	5/8 x 5 7/8 Candle Stick	
12	Closure	Plastic	White
13	HDPE Isolator	1/2 Thick	White
14	Glazing Post & Face Plate	Extruded	Alum
15	J-Bolt	Confirm	-
16	Netting	Existing to Remain	
17	ISR Button (See 1.1)	HDPE	White
18	Lift Off Hinge	Stainless Steel	
19	Threshold Top	1 HDPE	White
20	F-Post	Extruded	Alum
21	Timers Table	1 1/2 Square tube with 1" HDPE	
22	Benches	12 x 1/2 HDPE	White
23	Matting	3/4 Loose Laid	Black
24	Cane Bolt		Stock

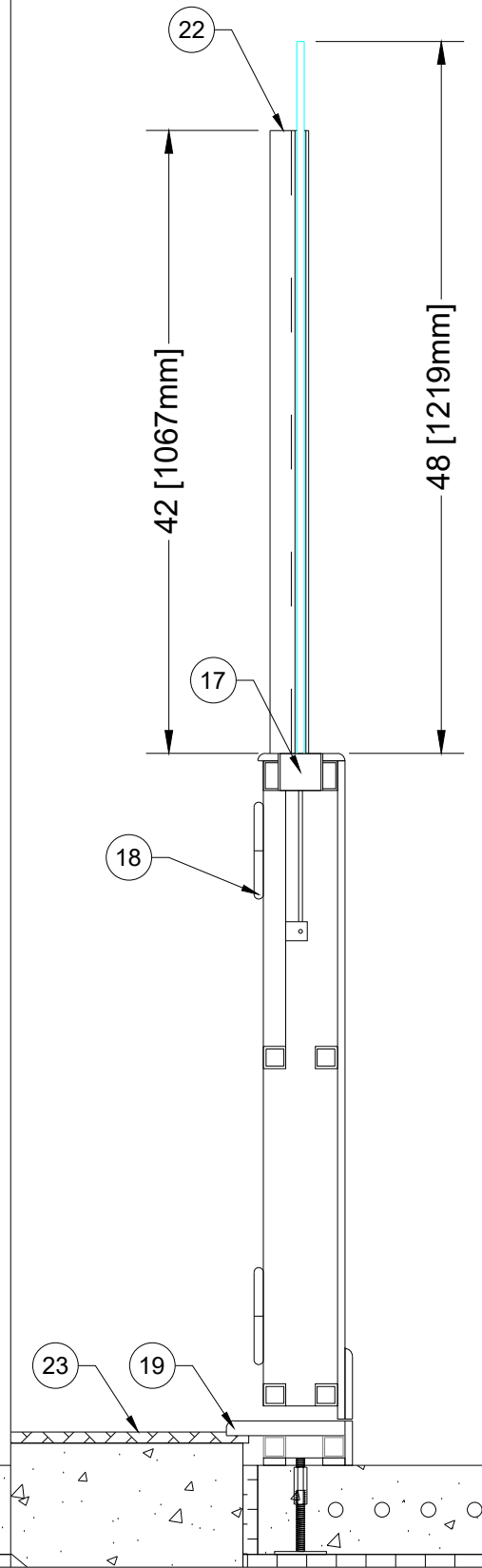


File	#4080		
Project	Grand Valley Arena		
Product	FP900A		Date
Drawing	Dasher Cross Sections		5/20/2022
Revision			Date
Scale	NTS	DWG by MR	Pg 1.5
		CKD by CC	

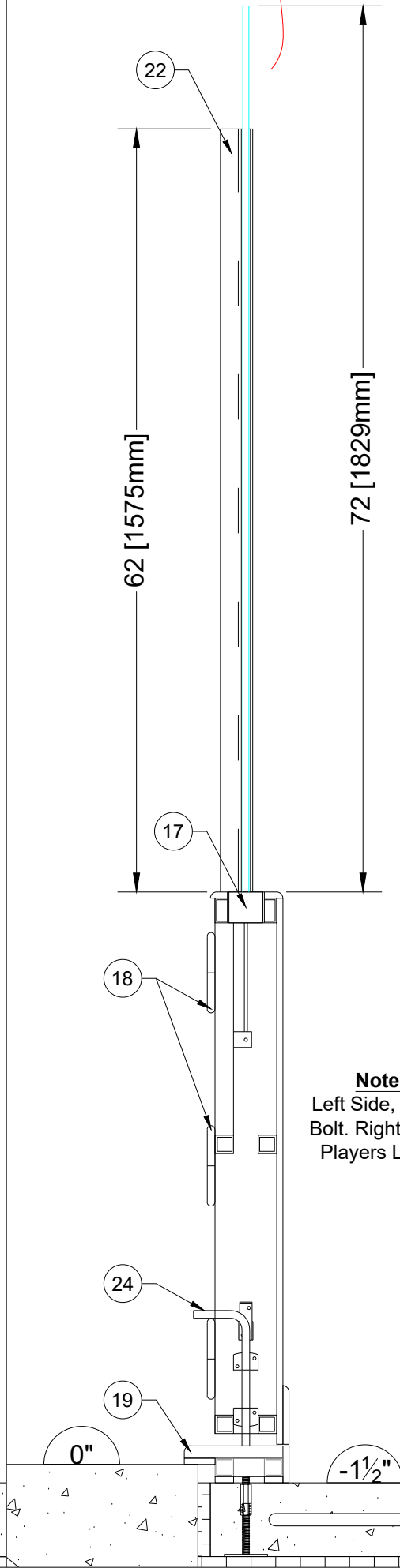
C1 Players Gates



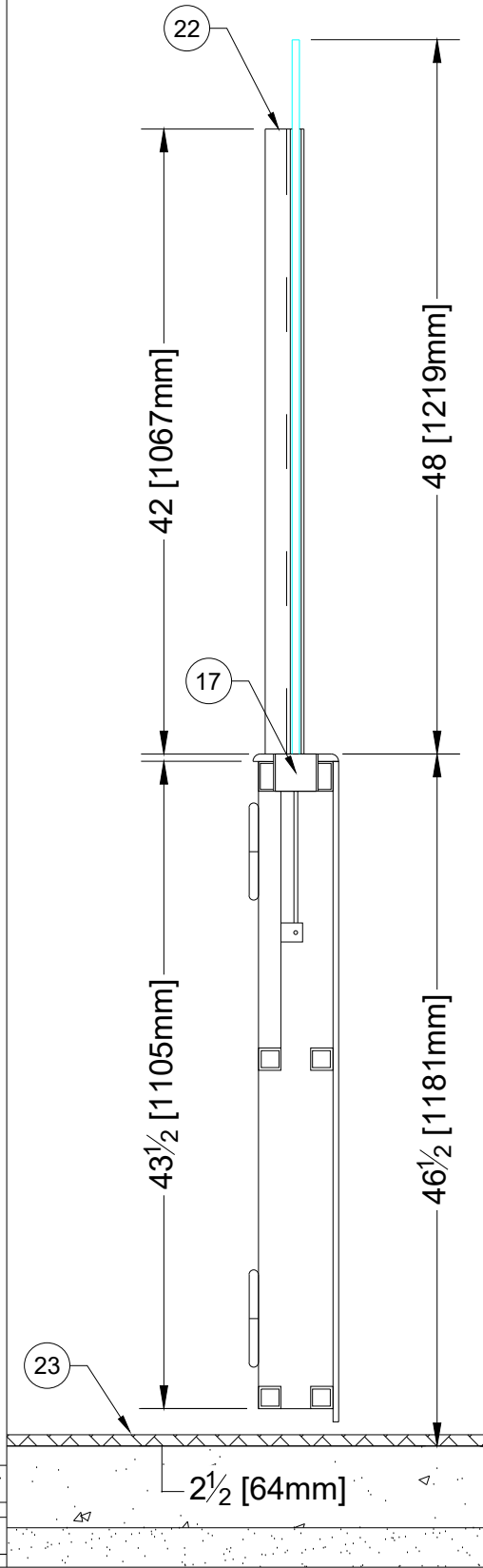
D1 Penalty Gates



E1 Double Gates

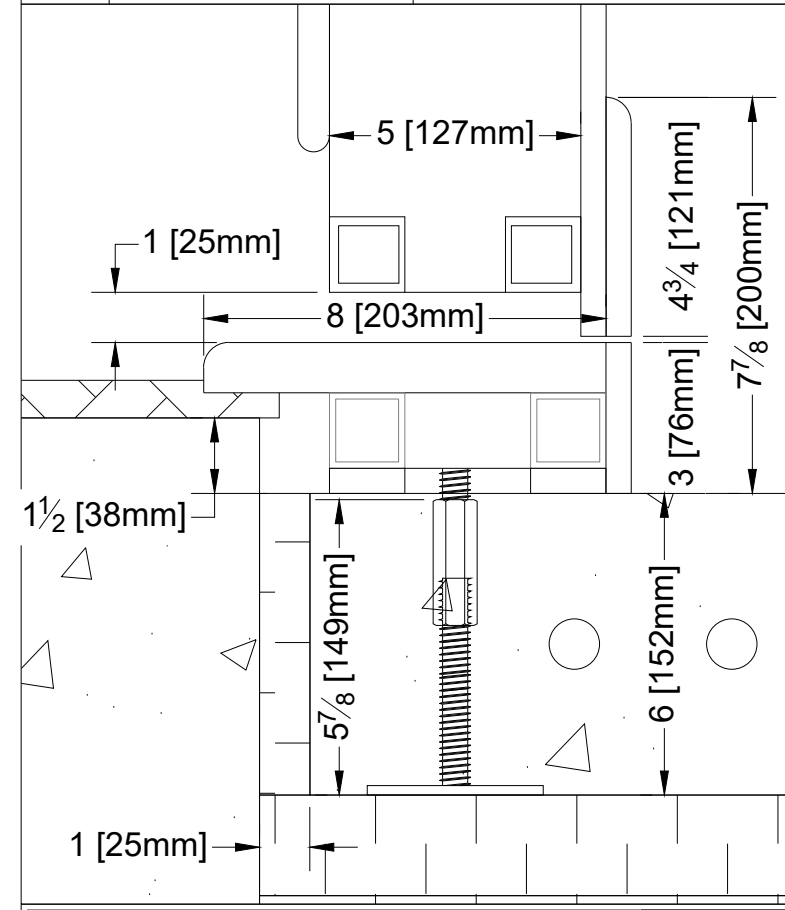



F1 Crosswall/Backwall Gates

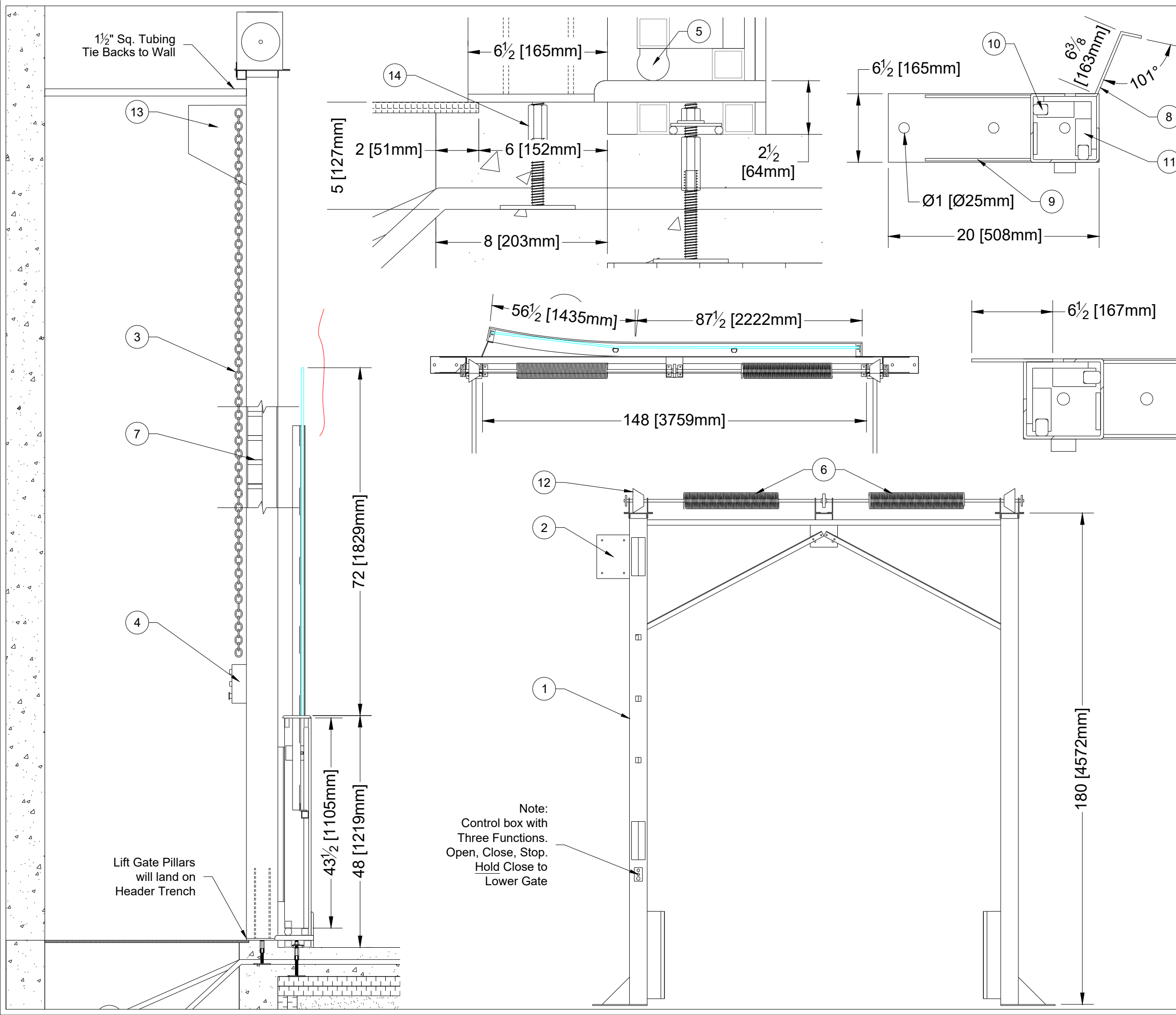


Part List
[All measurements in inches]

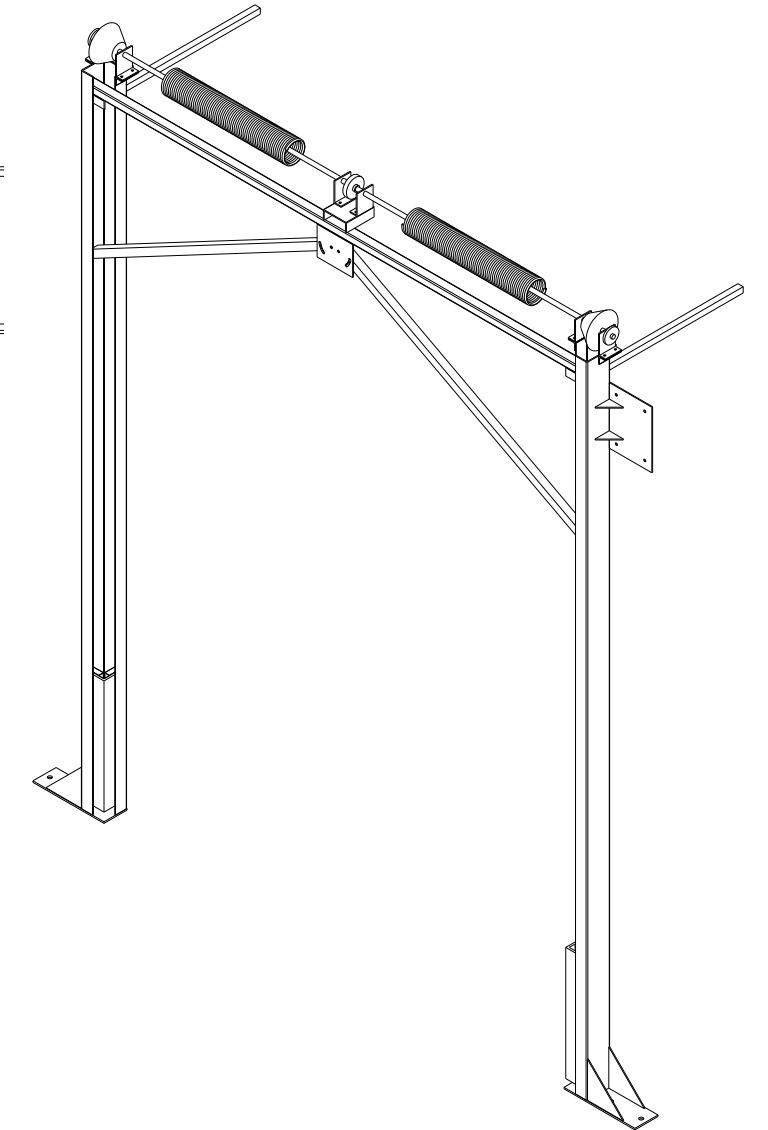
Tag	Description	Size/Material	Finish
1	Top Sill	1/2 HDPE	Green
2	Puck Board	1/2 HDPE	White
3	Kick Strip	1/2 HDPE	NHL Gold
4	Backer	3/8 HDPE	White
5	Glazing	1/2" (See 1.2)	Clear
6	Glazing	5/8" (See 1.2)	Clear
7	Stringer	2 x 1 x 1/8	Alum
8	Stringer	1 1/2 x 1/8 Square	Alum
9	Stringer	5 x 2 x 1/8	Alum
10	Panel Washer	4 7/8 x 3 x 1/2	Alum
11	Anchor	5/8 x 5 7/8 Candle Stick	
12	Closure	Plastic	White
13	HDPE Isolator	1/2 Thick	White
14	Glazing Post & Face Plate	Extruded	Alum
15	J-Bolt	Confirm	-
16	Netting	Existing to Remain	
17	ISR Button (See 1.1)	HDPE	White
18	Lift Off Hinge	Stainless Steel	
19	Threshold Top	1 HDPE	White
20	F-Post	Extruded	Alum
21	Timers Table	1 1/2 Square tube with 1" HDPE	
22	Benches	12 x 1/2 HDPE	White
23	Matting	3/4 Loose Laid	Black
24	Cane Bolt	Stock	



File	#4080		
Project	Grand Valley Arena		
Product	Spectrum & FP900A		Date
Drawing	Gate Cross Sections		5/19/2022
Revision			Date
Scale	NTS	DWG by MR	Pg
		CKD by CC	1.6

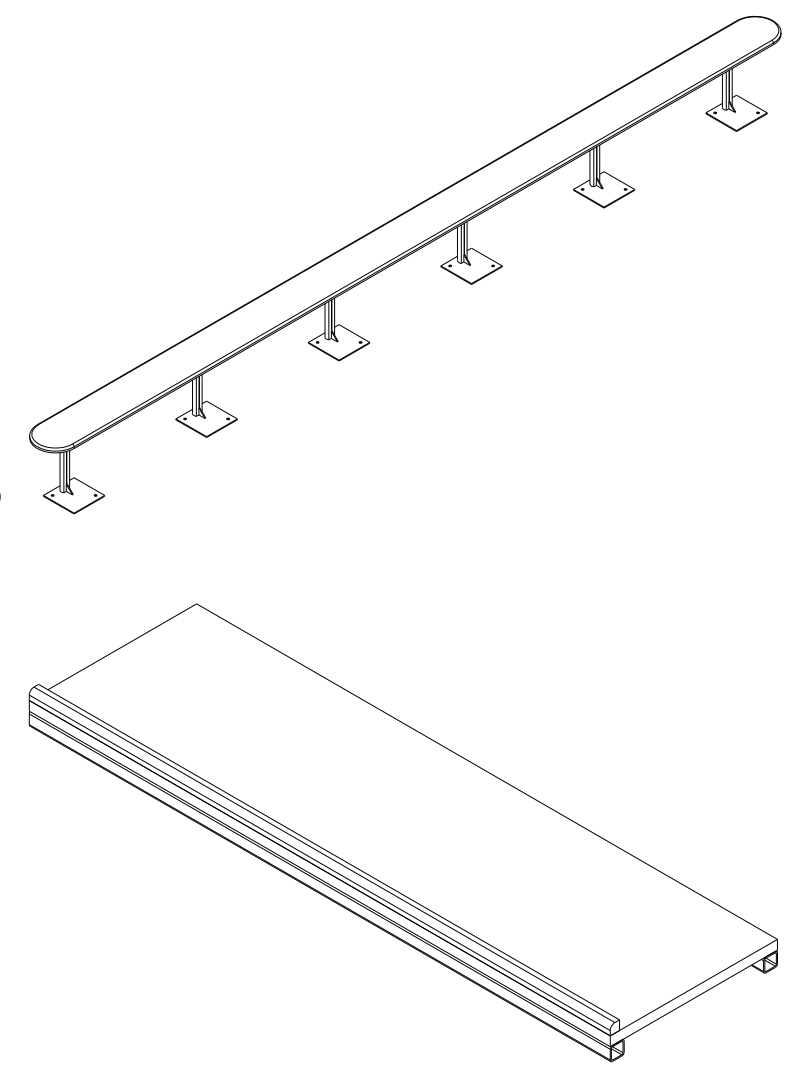
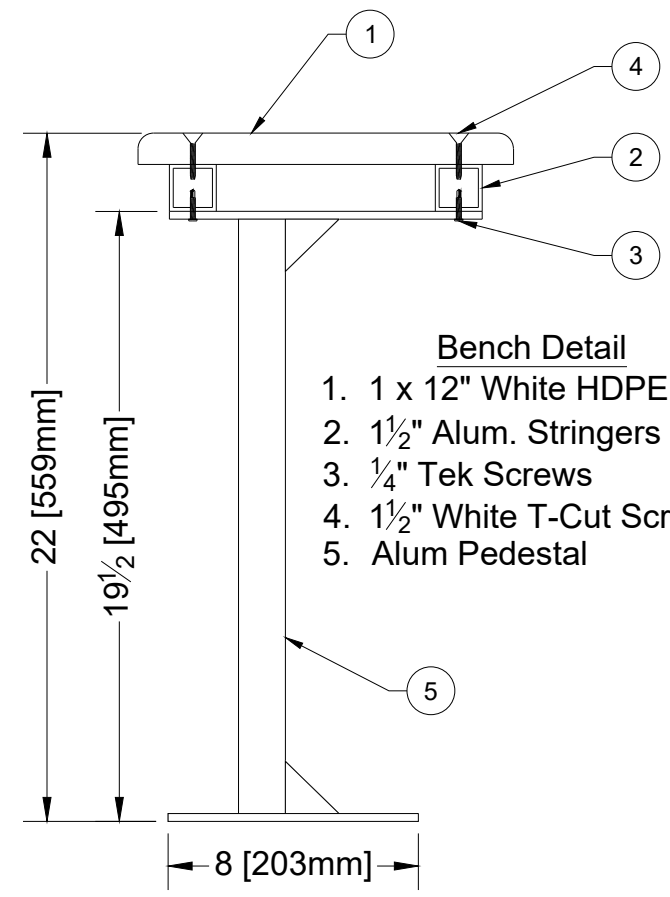
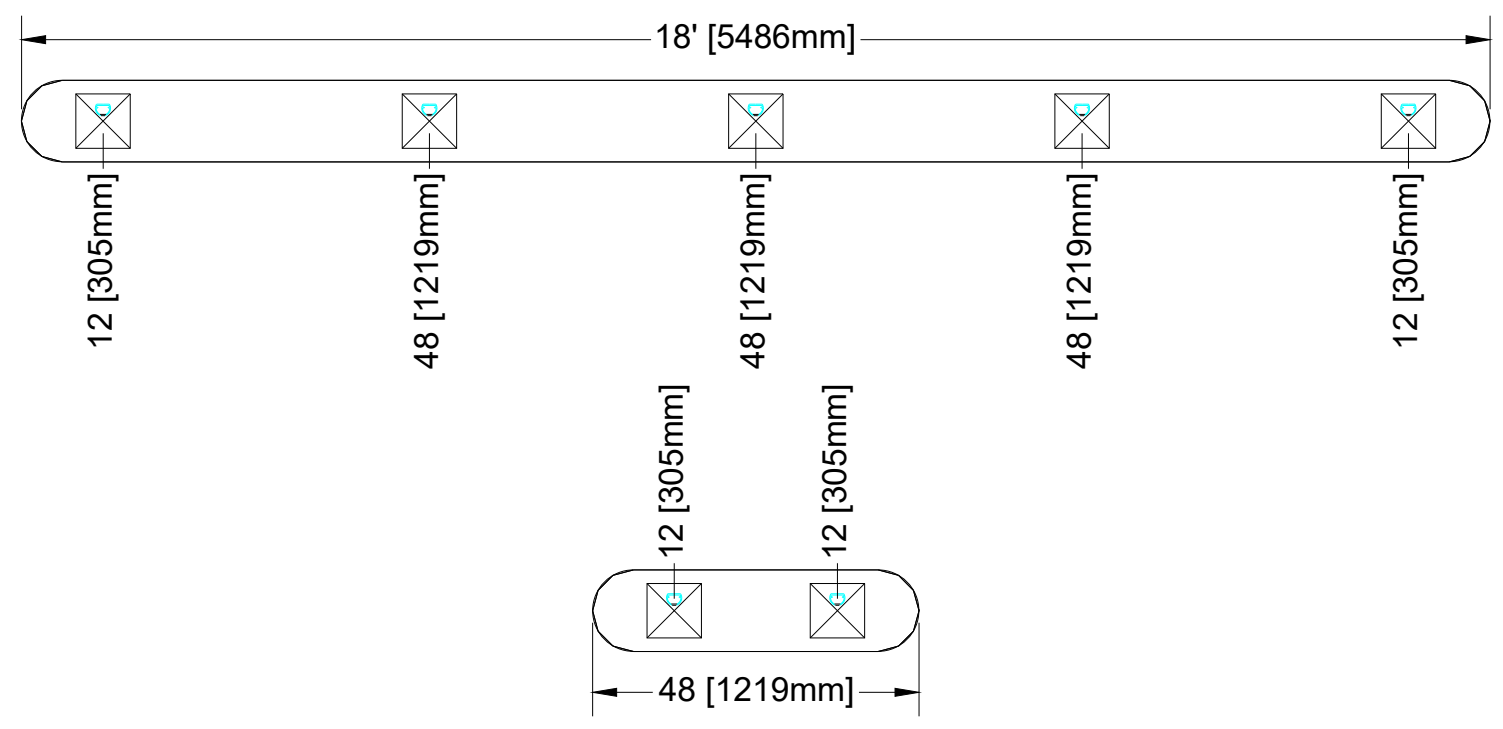


Lift System Part List			
[All measurements in inches]			
Tag	Description	Size/Material	Finish
1	Column	6 1/2 x 6 1/2 x 1/4"	SS
2	Left Side Motor Mount		
3	Manual Chain Back Up		
4	Operator Control Box		
5	Air Filled Safety Edge		
6	Dual Spring Coils		
7	3/8" x 3 Safety Lock System on 5' Centers		
8	Custom Formed S/S Angle		
9	1/4" Thick S/S Gussets, 2pcs per Base		
10	Adjustable Cam Follower Bearing 8pcs per Tower		
11	1 1/2" Sq. Tubing		
12	Grooved Drums with 3/16" Galv. Steel 7x19 Strand Wire Rope		
13	120v @ 20 Amp Motor (Confirm)		
14	3/4" Candle Stick Anchors		



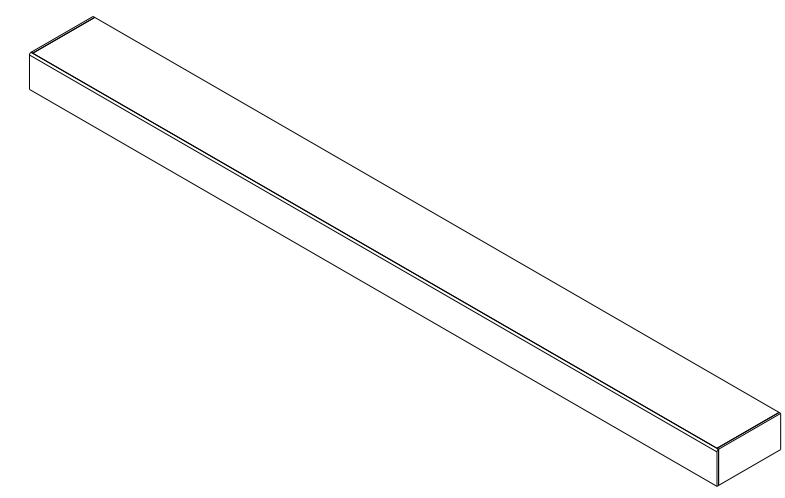
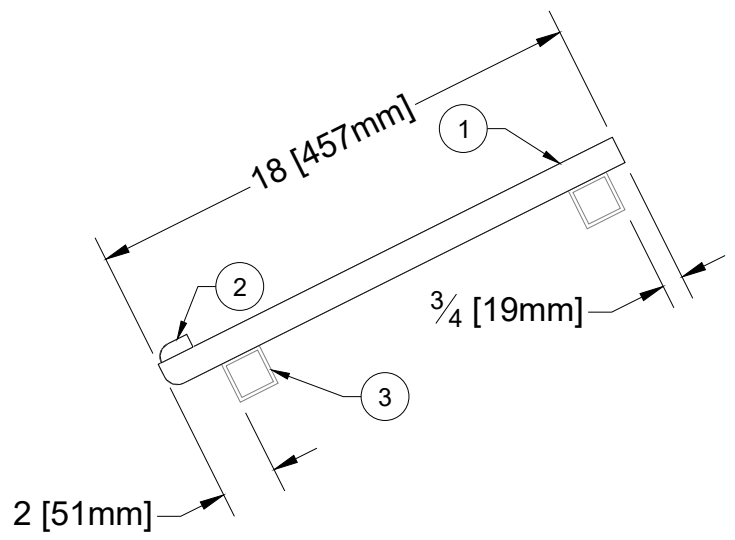
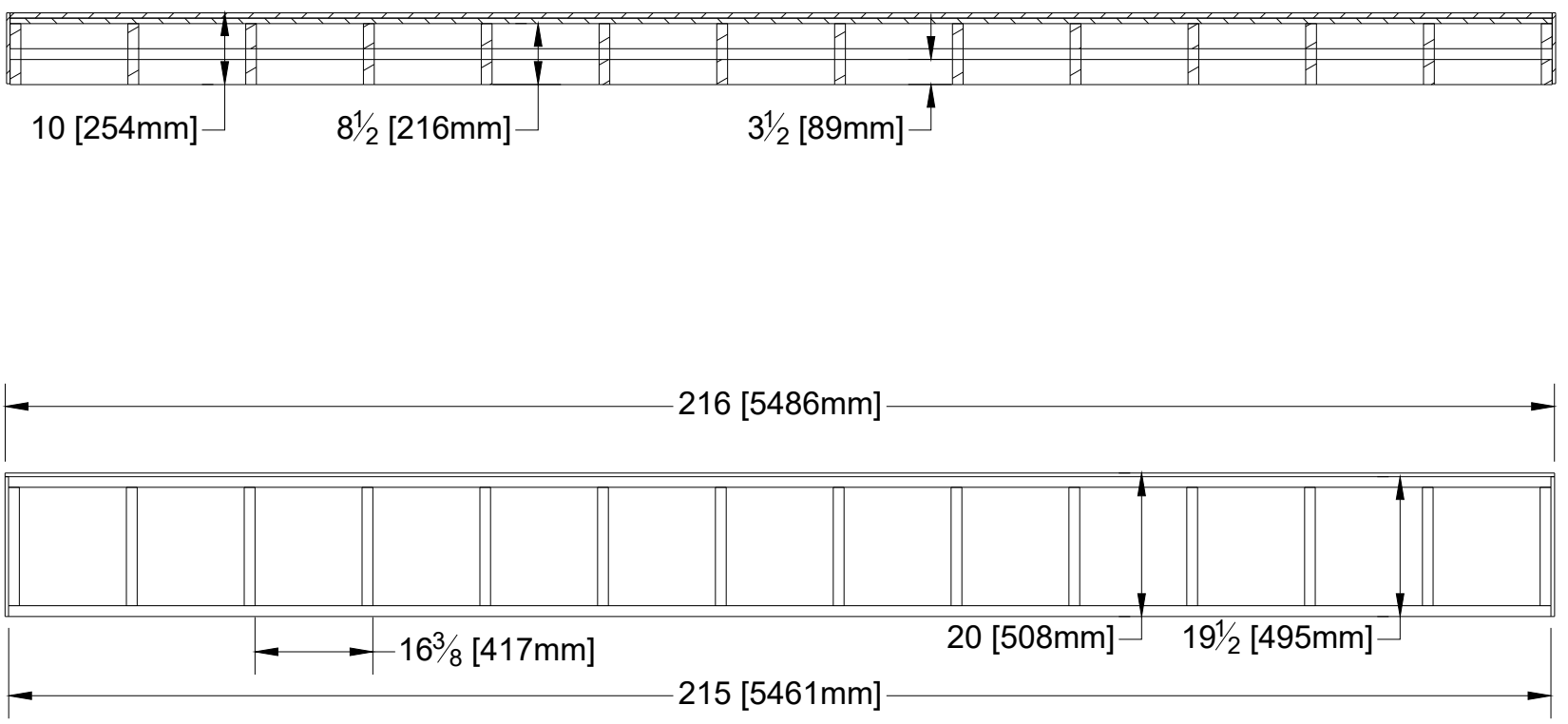
File	#4080		
Project	Grand Valley Arena		
Product	FP900A Lift Gate	Date	
Drawing	Lift Gate Cross Sections	Date	
Revision		Date	
Scale	DWG by MR	CKD by CC	Pg
	NTS	CC	1.7


1.4 Bench Details



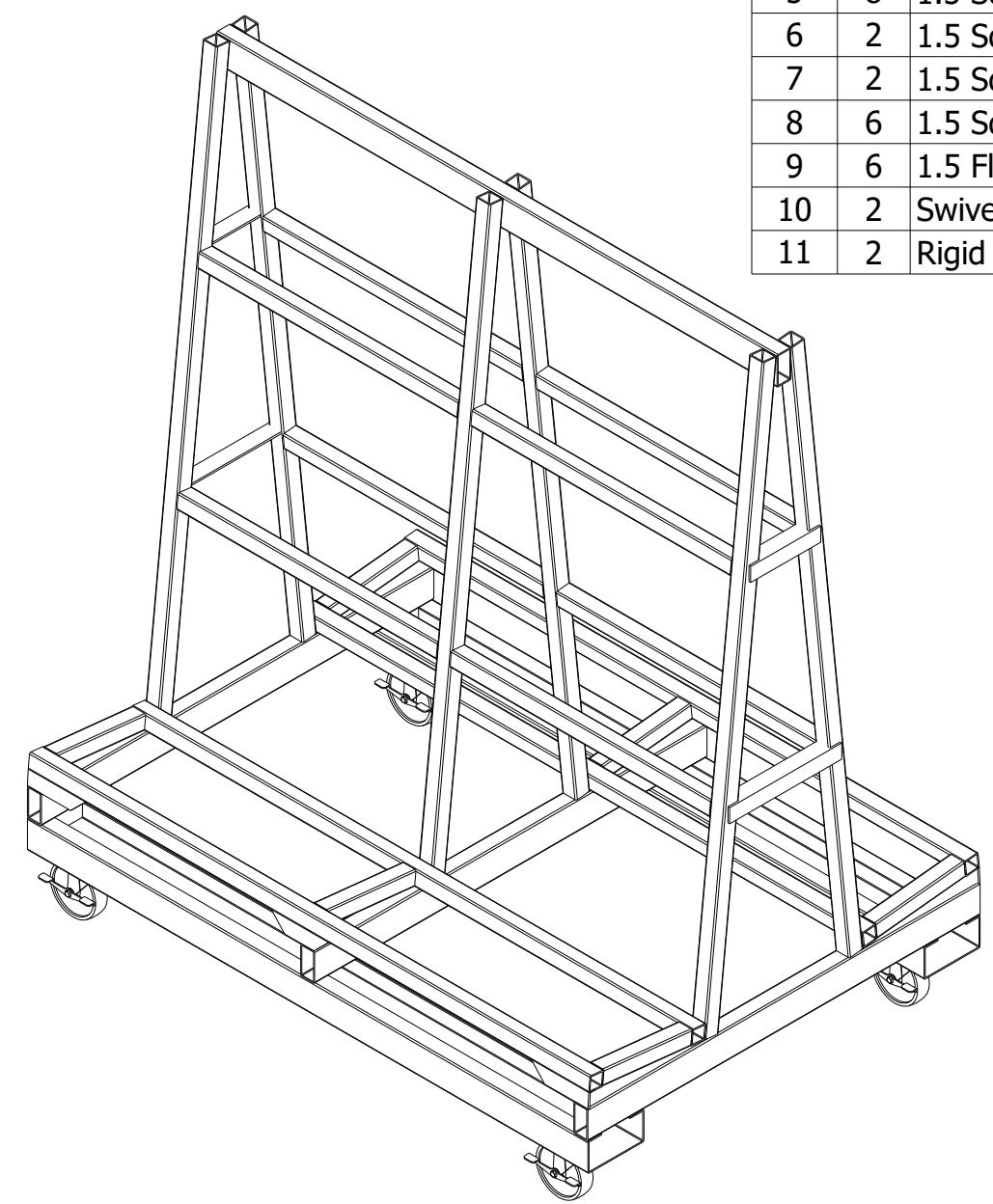
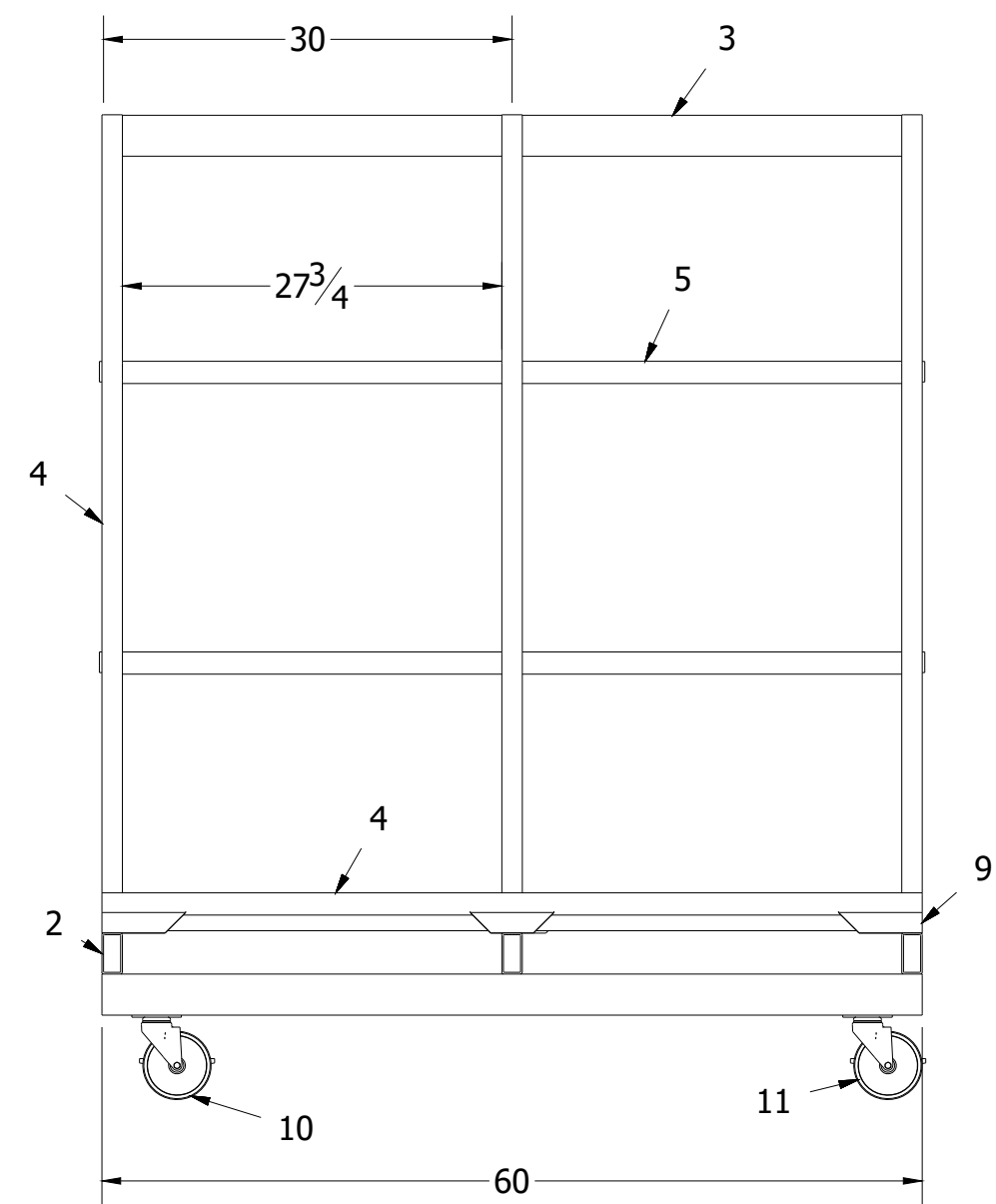
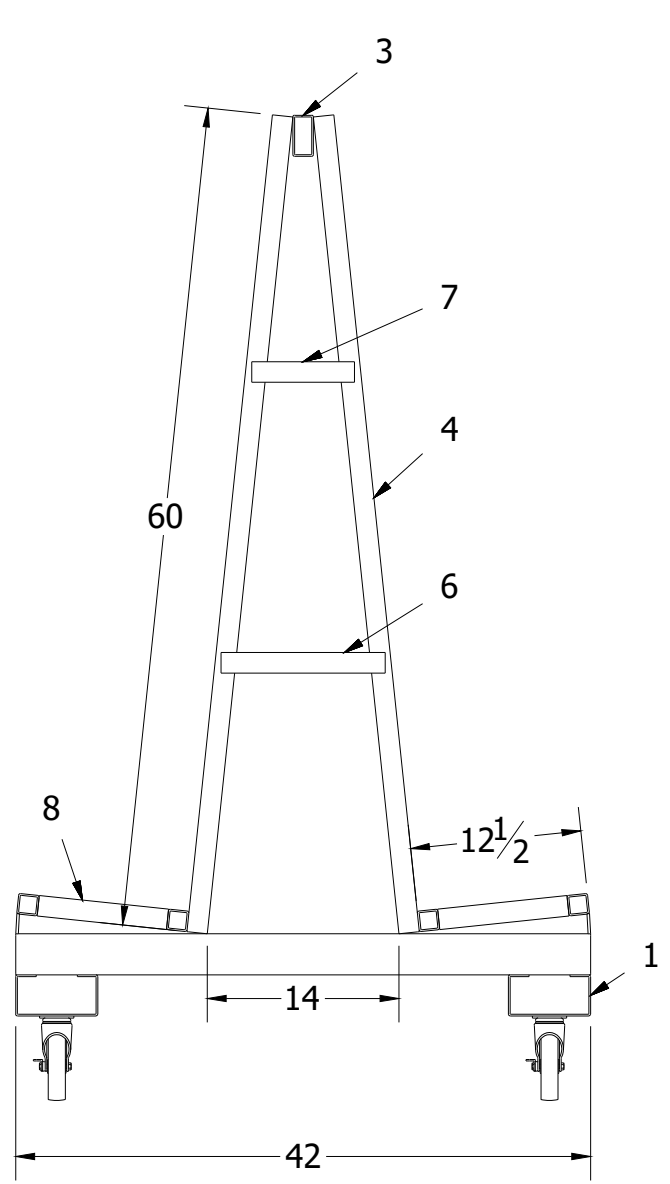
Timers Table

1. 1 x 18" White HDPE Top c/w ½" Radii
2. ½ x 1¼" Green HDPE Pencil Ledge c/w ½" Radii
3. 1½" Alum. Stringers
4. 1½" Green T-Cut Screws

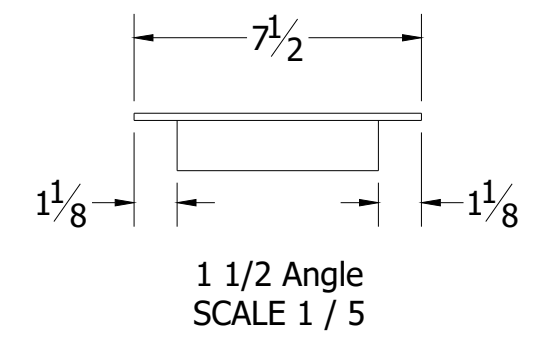
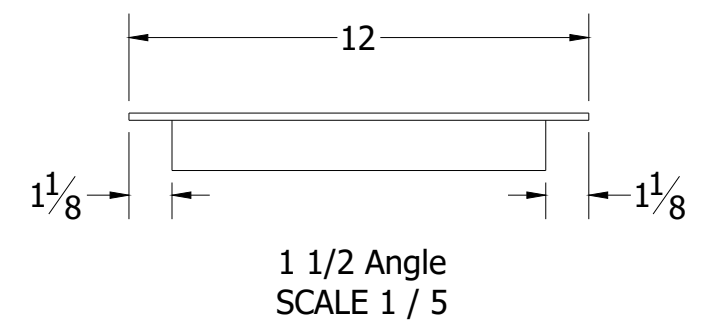
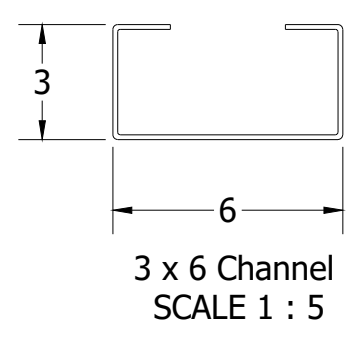



File	#4080		
Project	Grand Valley Arena		
Product	Benches, Timers Table, Coach Walk		Date
Drawing	Box Details		5/20/2022
Revision			Date
Scale			-/-
NTS	DWG by	CKD by	Pg
	MR	CC	1.8

Glass Cart			
ITEM	QTY	PART NUMBER	Length
1	2	3 x 6 Channel	60
2	3	1.5 x 3 Tube	42
3	1	1.5 x 3 Tube	60
4	10	1.5 Sq Tube	60
5	8	1.5 Sq Tube	27 3/4
6	2	1.5 Sq Angle	12
7	2	1.5 Sq Angle	7 1/2
8	6	1.5 Sq Tube	9 1/2
9	6	1.5 Flat Bar	6 1/8
10	2	Swivel Caster	Stock
11	2	Rigid Caster	Stock



A-Frame Glass Cart
SCALE 1 / 14



File	#4080		
Project	Grand Valley Arena		
Product	Glass Storage Cart	Date	
Drawing	A-Frame Glazing Cart	Date	
Revision		Date	
Scale	DWG by MR	CKD by CC	Pg
	NTS		1.9