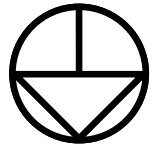


ÉÉC Marguerite Bourgeois, Borden

Replacement of Sanitary Appliances, Countertop and Painting



No.	DATE	RÉVISIONS / REVISIONS
01		
02		
03		
04		
05		
06		

THE DELIVERABLES

ÉÉC Marguerite-Bourgeois, Borden
Plumbing Upgrades:

Replacement of all sanitary appliances (washrooms, urinals, sinks...) countertops and wall painting, including assessment of the condition of the drainage system and recommendation for restoration due to possible scale deposit and corrosion - repair and restoration of the various surfaces affected by the removal and replacement process.

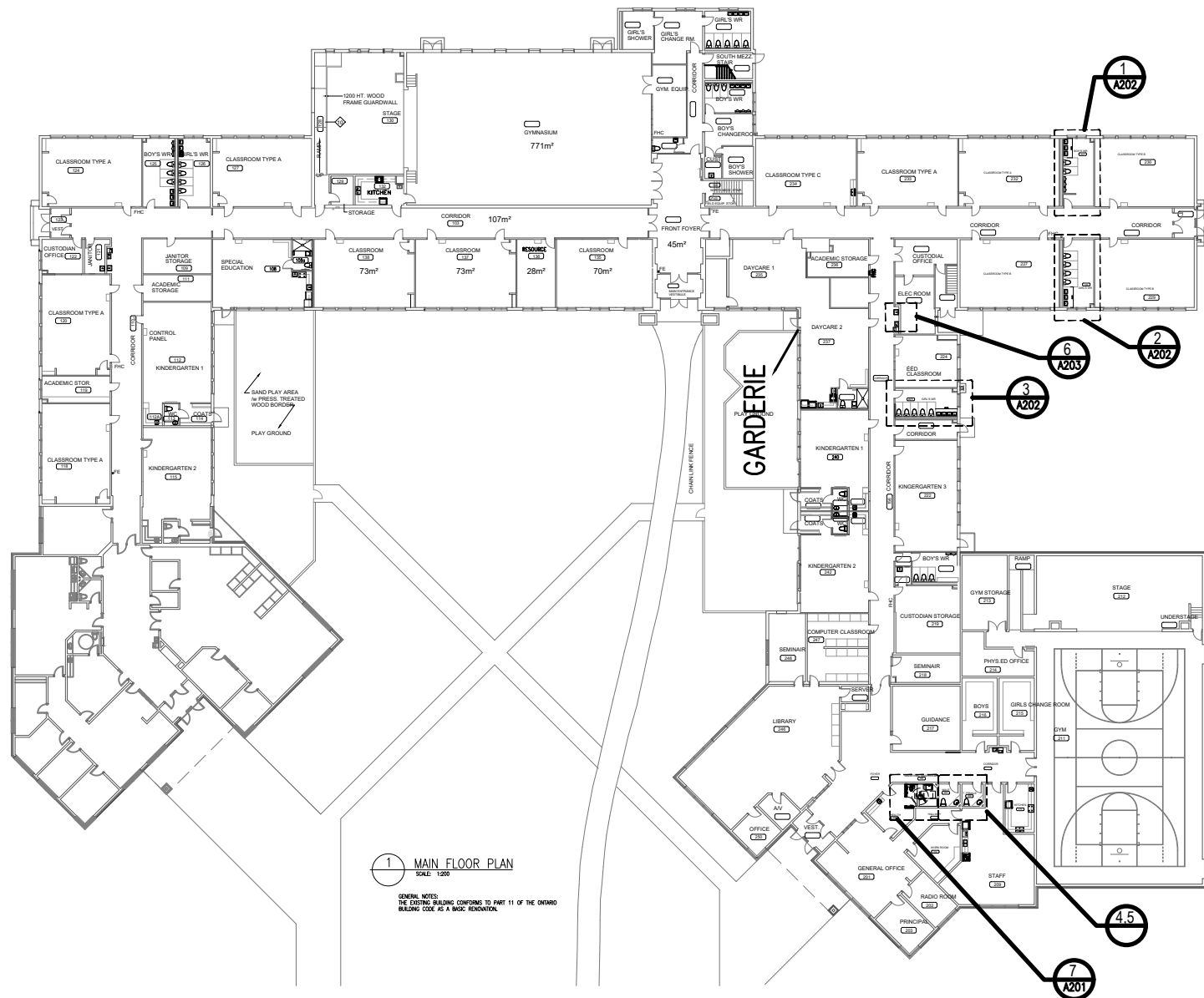
Location as per Floor Plan:

6 Washrooms: 1, 2, 3, 4, 5 & 6

Main hallway Sink cabinet

Additional Work (Highlighted Section):

Conversion of the existing Washroom (205) and Health Room (206) into a Universal Washroom

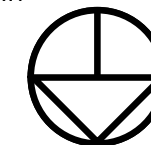


Service des ressources
matérielles

110, avenue Drewry
North York (Ontario)
M2M 1C8

Tél: 416 397 6564 / Téléc: 416 397 6653

NORD / NORTH :



NOTES :



No.	DATE	RÉVISIONS / REVISIONS
01		
02		
03		
04		
05		
06		

PROJET / PROJECT

ÉÉC
MARGUERITE BOURGEOIS

117 CHEMIN WATERLOO EST. ed P-148
BORDEN, ONTARIO, L0M1C0

TITRE / TITLE

FLOOR LAYOUT

DATE / DATE 03 07 2025

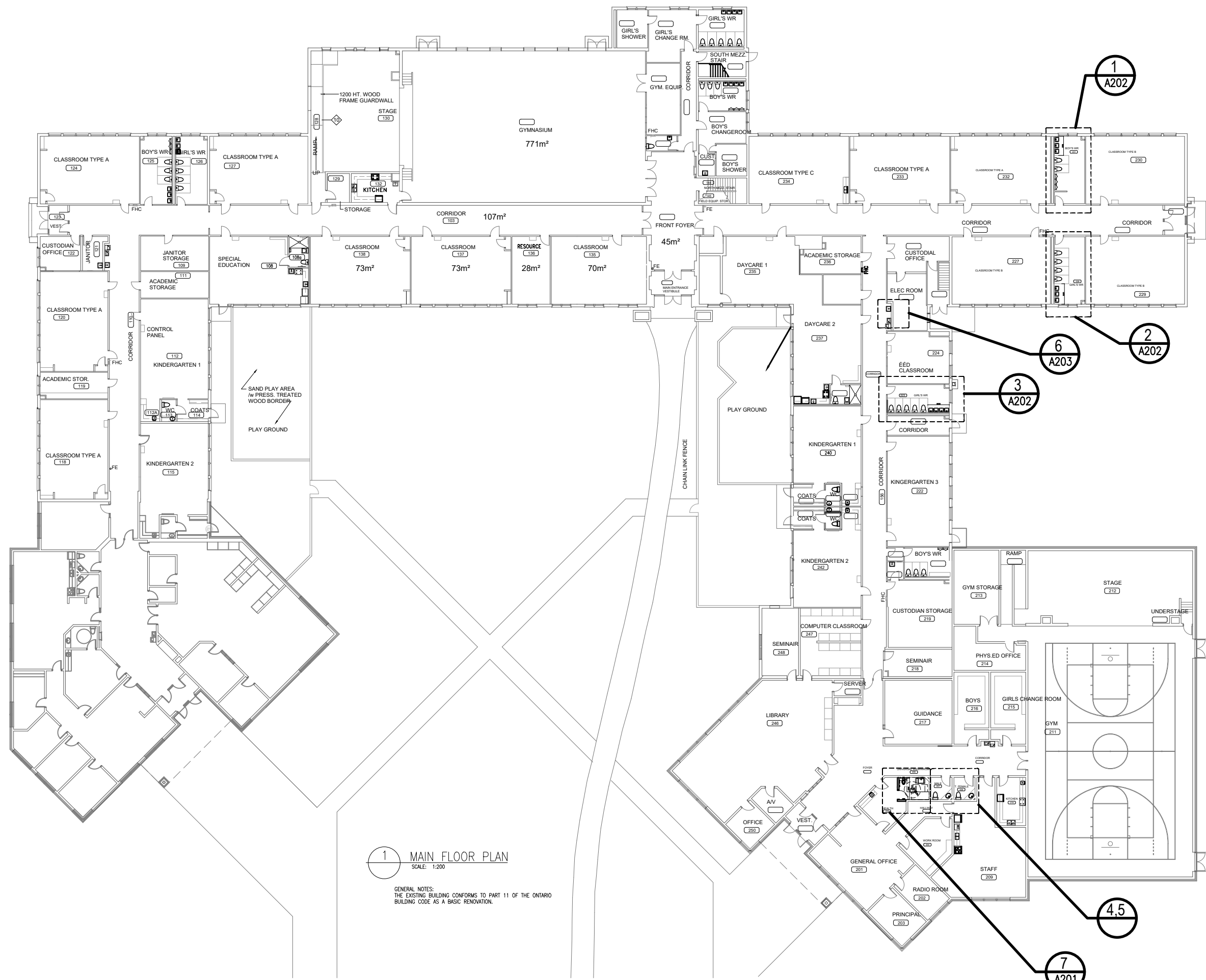
DESSINÉ PAR /
DRAWN BY S.H

DESSIN No. /
DRAWING No.

VÉRIFIÉ PAR /
INSPECTED BY S.H.

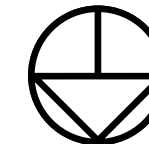
ÉCHELLE /
SCALE 1 : 400

A-101



1 MAIN FLOOR PLAN
SCALE: 1:200

GENERAL NOTES:
THE EXISTING BUILDING CONFORMS TO PART 11 OF THE ONTARIO
BUILDING CODE AS A BASIC RENOVATION.



NOTES :

Universal Washrooms:

Design: Universal washrooms are single-user, fully enclosed spaces equipped with accessible features, including a barrier-free toilet, sink, and ample turning space for mobility devices. They also have power door operators and an emergency call system.

Capacity: Designed for individual use, universal washrooms provide privacy and are suitable for people of all abilities, including those who may need assistance from an attendant. They are also beneficial for families with small children.

Location: The OBC mandates that at least one universal washroom be provided in almost all buildings where a washroom is required. In multi-storey buildings, one universal washroom is required for every three floors.



No.	DATE	RÉVISIONS / REVISIONS
01		
02		
03		
04		
05		
06		

PROJET / PROJECT

MARGUERITE BOURGEOIS

117 CHEMIN WATERLOO EST. ed P-148
BORDEN, ONTARIO, L0M1C0

TITRE / TITLE

UNIVERSAL WASHROOM

DATE / DATE 03 07 2025

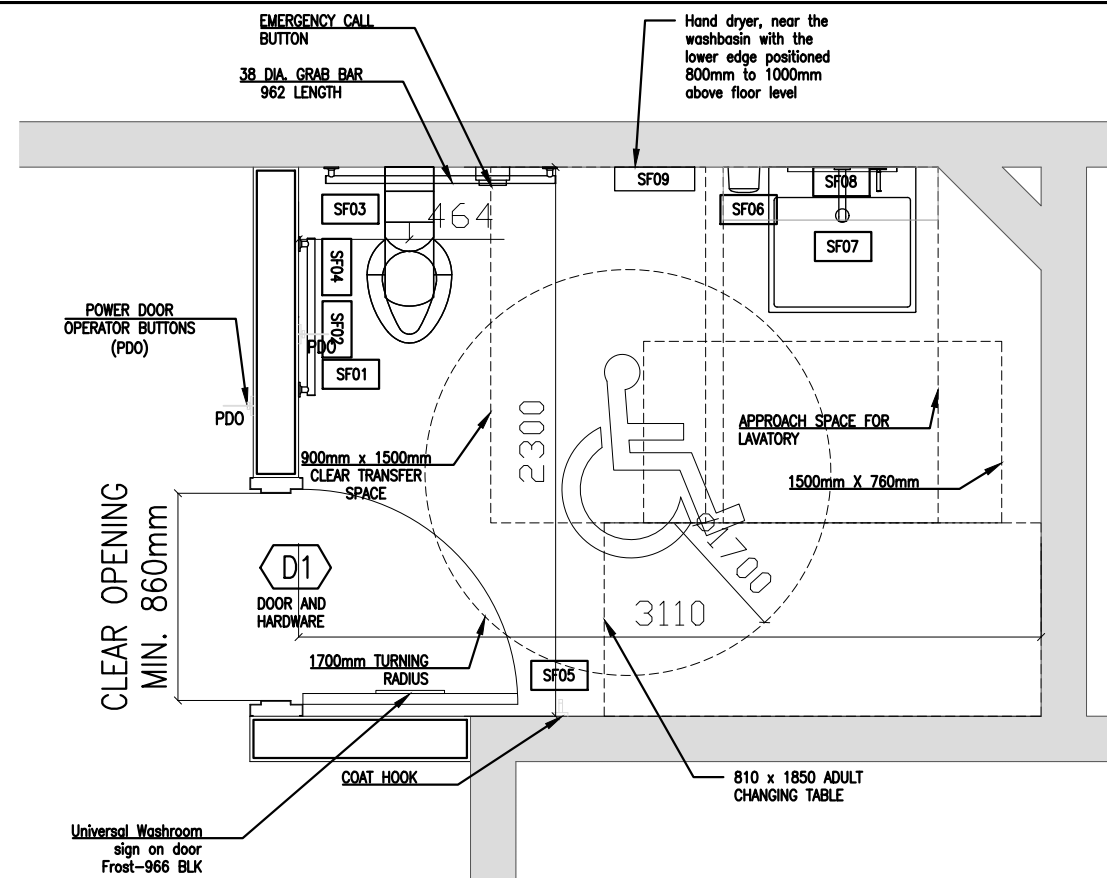
DESSIN PAR /
DRAWN BY S.H.

DESSIN No. /
DRAWING No.

VÉRIFIÉ PAR /
INSPECTED BY S.H.

ECHELLE /
SCALE 1 : 50

A-201



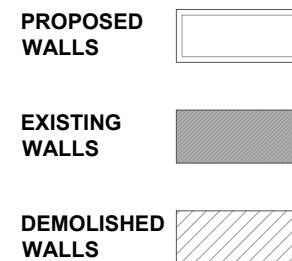
PROPOSED UNIVERSAL WASHROOM LAYOUT
SCALE 1/50

GENERAL NOTES FOR O.B.C. COMPLIANT BARRIER FREE WASHROOM:

1. WASHROOM SHALL BE ACCESSIBLE VIA BARRIER FREE PATH OF TRAVEL AS DEFINED BY THE OBC
2. THE DOOR TO THE UNIVERSAL WASHROOM IS TO HAVE A LOCKING MECHANISM THAT IS CAPABLE OF BEING LOCKED FROM THE INSIDE AND RELEASED FROM THE OUTSIDE IN CASES OF EMERGENCY
3. HAVE ONE LAVATORY
4. HAVE ONE WATER CLOSET
5. HAVE GRAB BARS
6. HAVE NO INTERNAL DIMENSIONS BETWEEN WALLS LESS THAN 1700mm.
7. HAVE 1 COAT HOOK AND A SHELF THAT IS LOCATED NOT MORE THAN 1100 mm ABOVE THE FFE AND PROJECTS NOT MORE THEN 100mm FROM THE WALL
8. BE DESIGNED TO PERMIT A WHEELCHAIR TO TURN IN AN OPEN SPACE NOT LESS THAN 1500mm IN DIAMETER
9. BE PROVIDED WITH A DOOR EQUIPPED WITH A POWER DOOR OPERATOR
10. BE PROVIDED WITH A MIRROR
11. HAVE LIGHTING CONTROLLED BY A MOTION SENSOR
12. HAVE A EMERGENCY CALL SYSTEM THAT CONSISTS OF AUDIBLE AND VISUAL SIGNAL DEVICES INSIDE AND OUTSIDE OF THE WASHROOM THAT ARE ACTIVATED BY A CONTROL DEVICE INSIDE THE WASHROOM
13. CONTRACTOR TO SITE VERIFY LENGTH AND WIDTH OF BARRIER FREE WASHROOM ACCESSORIES BEFORE INSTALLATION OF FIXTURES AND
14. PROVIDE 2 LAYERS OF 3/4" PLYWOOD & SOLID WD. BLOCKING AS NECESSARY SECURELY ANCHORED TO WOODEN STUDFRAMING TO SUPPORT A MIN. WEIGHT OF 300 LBS.(TRANSFERED BY GRAB BARS)

BARRIER-FREE DESIGN NOTES:

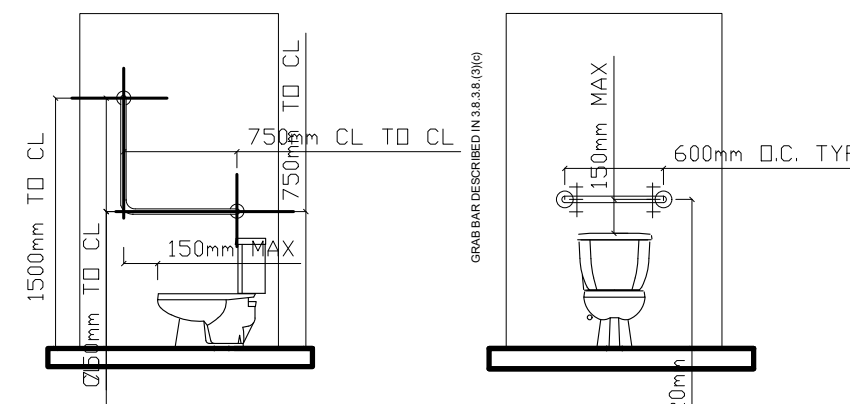
1. WATER CLOSET SEAT TO BE 400 TO 460 AFF.
2. ALL HAND-OPERATED WASHROOM ACCESSORIES (EXCEPT THOSE LOCATED IN TOILET STALLS) SHALL BE MOUNTED SO THAT THE DISPENSING HEIGHT IS BETWEEN 900 AND 1200 ABOVE THE FLOOR.
3. BACK SUPPORT IS REQUIRED WHERE NO SEAT LID OR TANK IS PROVIDED.
4. WATER CLOSETS SHOULD HAVE RECEEDING BASES TO ENHANCE WHEELCHAIR TURNING

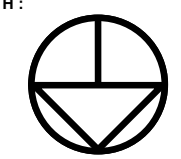


EXISTING AND DEMOLITION WASHROOM LAYOUT
SCALE 1/50

UNIVERSAL WASHROOM DETAIL LEGEND

SF1	WATER CLOSET
SF2	GRAB BAR CONFORMING (SEE TYPICAL ELEVATIONS DETAILS)
SF3	GRAB BAR PROVIDED ON THE WALL BEHIND THE WATER CLOSET
SF4	WALL MOUNTED TOILET PAPER DISPENSER (SEE TYPICAL ELEVATION FOR MOUNTING HEIGHT AND DISTANCE TO W/C)
SF5	COAT HOOK
SF6	AUTOMATIC SOAP DISPENSER LOCATED A/P
SF7	LAVATORY
SF8	INCLINED MIRROR
SF9	Hand dryer, near the washbasin with the lower edge positioned 800mm to 1000mm above FL.





No.	DATE	RÉVISIONS / REVISIONS
01	27/01/25	DRAWING ISSUED
02		
03		
04		
05		
06		

PROJET / PROJECT

ÉÉC
MARGUERITE BOURGEOIS

117 CHEMIN WATERLOO EST. ed P-148
BORDEN, ONTARIO, L0M1C0

TITRE / TITLE

WASHROOMS 1,2 & 3

DATE / DATE 03 07 2025

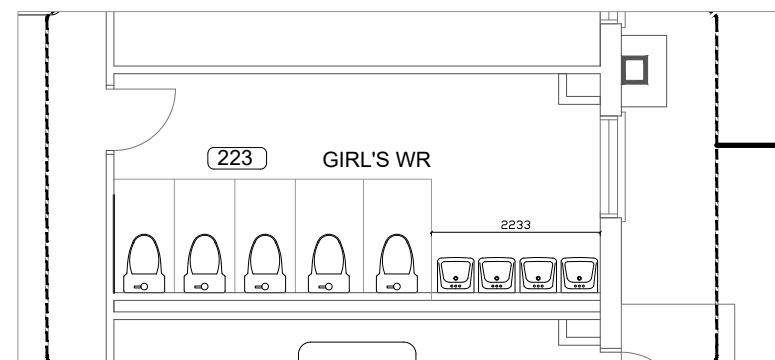
DESSINÉ PAR /
DRAWN BY S.H.

DESSIN No. /
DRAWING No.

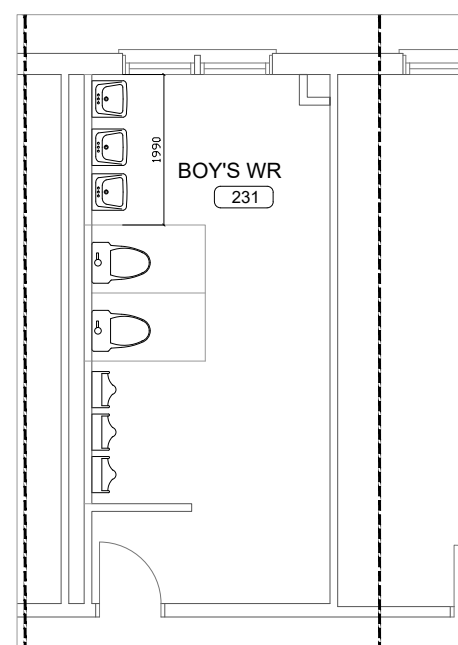
VÉRIFIÉ PAR /
INSPECTED BY S.H.

A-202

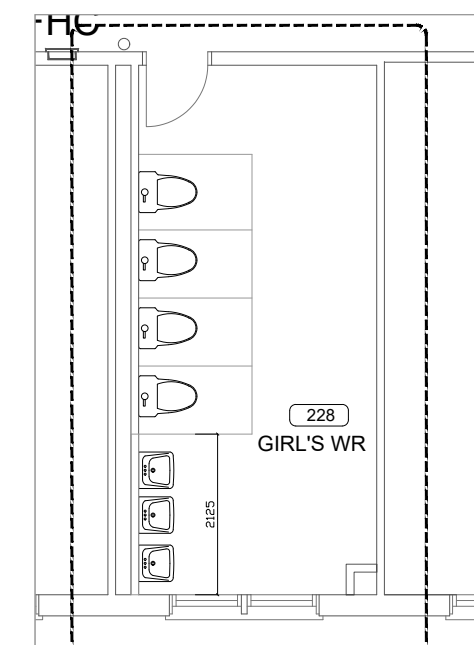
ECHELLE /
SCALE 1 : 100



WASHROOM #3
SCALE 1/100



WASHROOM #1
SCALE 1/100



WASHROOM #2
SCALE 1/100

NOTES:

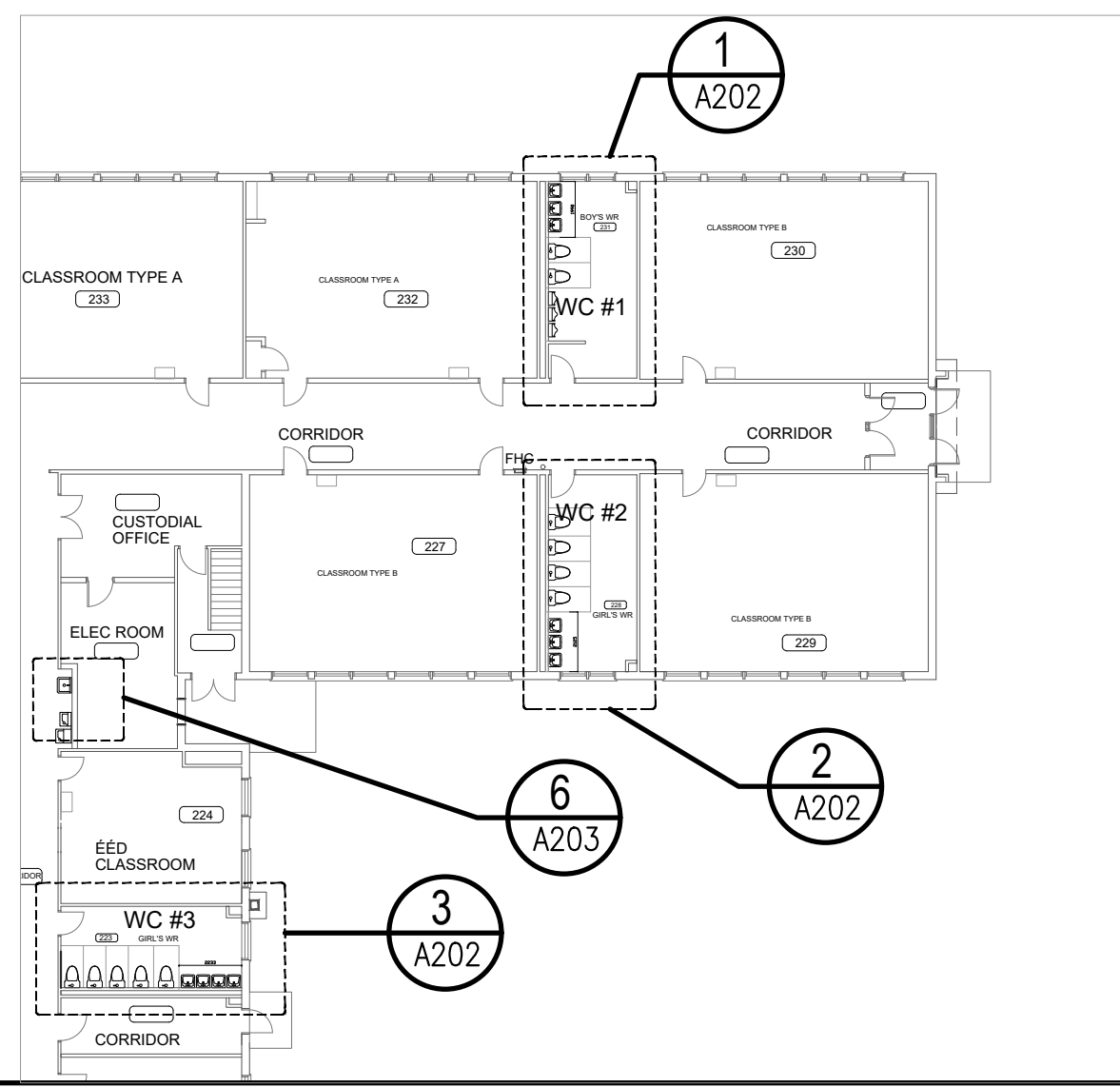
Following our review of the Hazardous Building Materials Assessment (HBMA) report and the planned scope of work for the plumbing upgrades at ÉÉC Marguerite-Bourgeois, we have identified specific areas where contractors are likely to disturb asbestos-containing walls during the replacement of sinks and urinals.

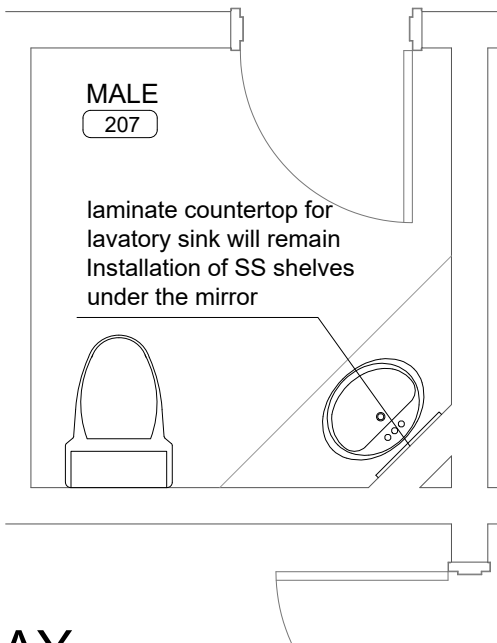
To ensure compliance with O. Reg. 278/05 and maintain a safe working environment, we recommend engaging an environmental consultant to conduct a Designated Substance Survey (DSS) in the following areas:

Marked Locations for DSS

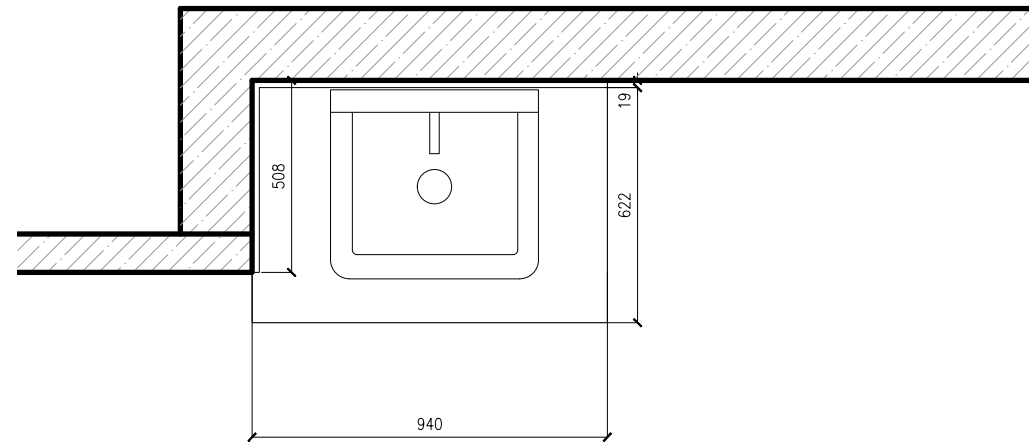
The attached drawings highlight in red the walls containing asbestos that will likely be disturbed during the removal and replacement of sinks and urinals in the following areas:

Washrooms 1–3: Walls where sinks and urinals are currently mounted.

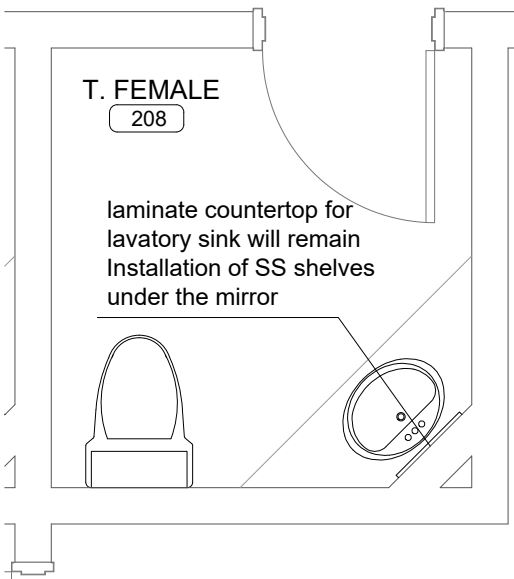




WASHROOM 4

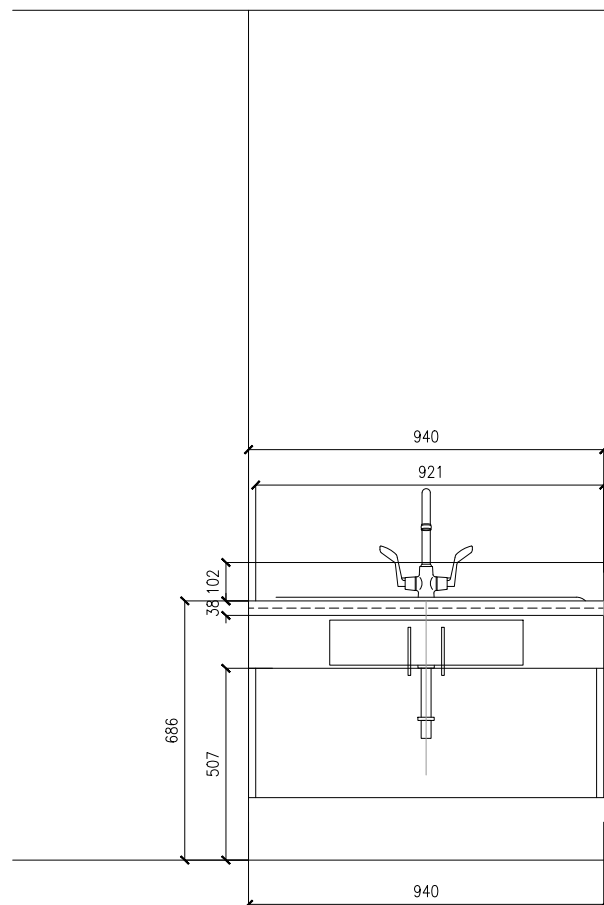


6- VANITY PLAN
SCALE 1/20

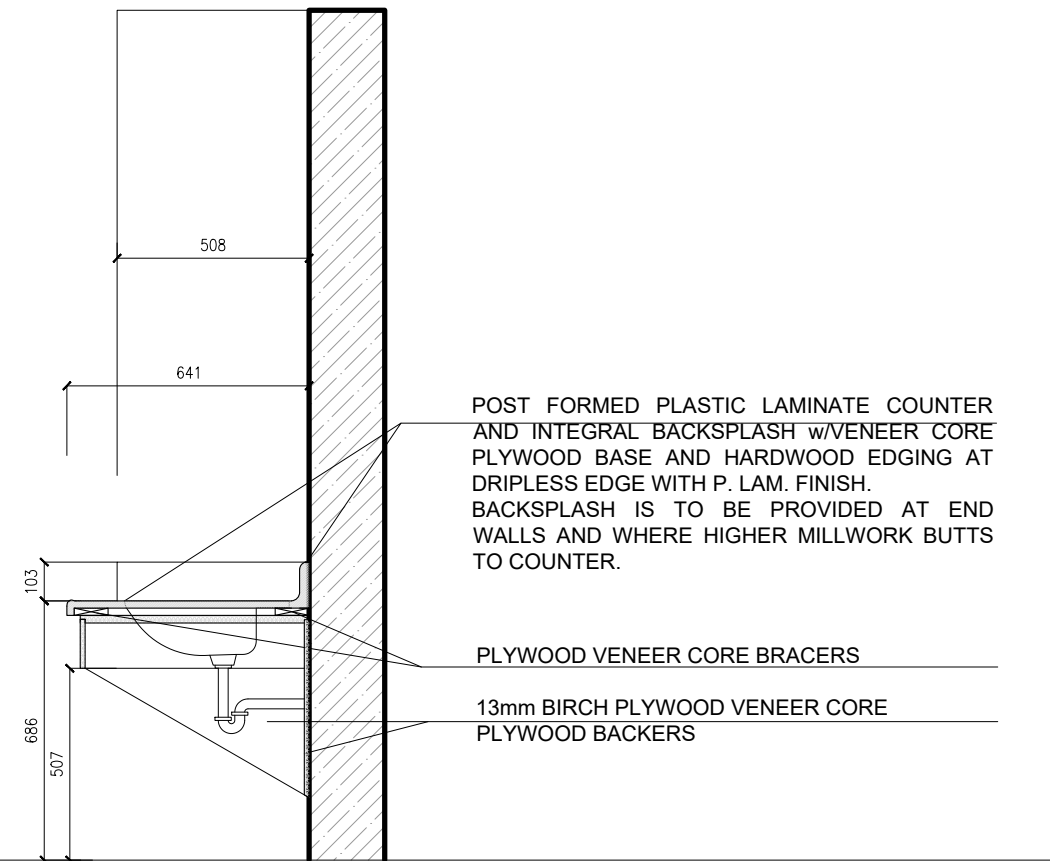


WASHROOM 5

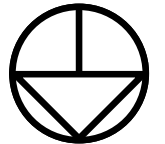
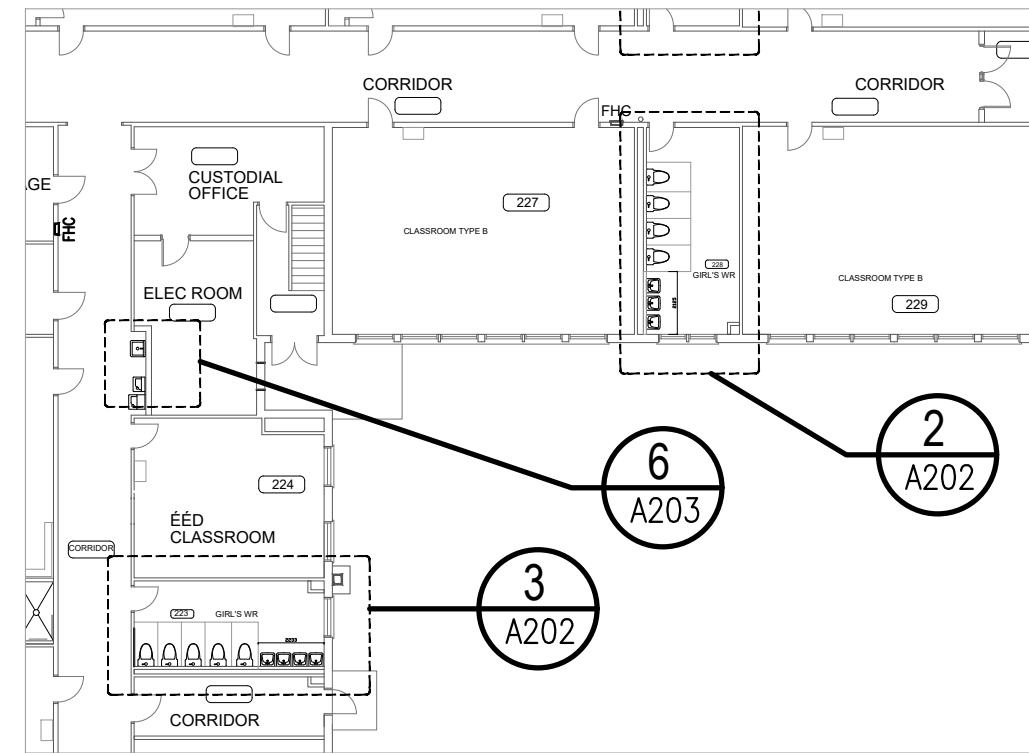
In Washroom 4&5, the Toilet will be replaced, wall-mounted accessible sink to be installed, S.S. shelf under the mirror and re-paint the walls.



VANITY ELEVATION
SCALE 1/20



VANITY SECTION
SCALE 1/20



No.	DATE	RÉVISIONS / REVISIONS
01	27/01/25	DRAWING ISSUED
02		
03		
04		
05		
06		

PROJET / PROJECT

ÉÉC
MARGUERITE BOURGEOIS

117 CHEMIN WATERLOO EST. ed P-148
BORDEN, ONTARIO, L0M1C0

TITRE / TITLE

DRINKING FOUNTAIN

DATE / DATE 03 07 2025

DESSINÉ PAR / DRAWN BY S.H.	DESSIN No. / DRAWING No.
VÉRIFIÉ PAR / INSPECTED BY S.H.	
ECHELLE / SCALE 1 : 100	A-203

PLUMBING NOTES

GENERAL PROVISIONS

1. SCOPE: PROVIDE ALL LABOR, MATERIAL, AND EQUIPMENT IN ACCORDANCE WITH THESE SPECIFICATIONS AND THE ACCOMPANYING DRAWINGS TO PROVIDE A COMPLETE AND PROPERLY OPERATING PLUMBING SYSTEM FOR THE BUILDING.

OBTAIN WATER, SEWER, GAS TAPS, AND ANY OTHER REQUIRED UTILITIES WHERE REQUIRED AND EXTEND SERVICE FROM SAME TO BUILDING. VISIT THE SITE FOR UNDERSTANDING OF THE WORK TO BE DONE BEFORE SUBMITTING BID. REFER TO CIVIL DWGS. FOR SITE UTILITIES.

COORDINATE THIS WORK WITH THE WORK OF THE OTHER TRADES ON THE PROJECT. ALL PLUMBING IS TO BE ROUGHED IN DURING CONSTRUCTION AT SUCH TIMES AS NOT TO DELAY THE GENERAL CONTRACTOR ON THE BUILDING.

2. GENERAL REQUIREMENTS: COMPLY WITH ALL CODES, RULES, AND ORDINANCES GOVERNING WORK ON THIS CHARACTER. PAY FOR AND OBTAIN NECESSARY CONSTRUCTION PERMITS AND CERTIFICATES OF INSPECTION.

A. DRAWINGS: THE LOCATION OF THE PIPING RUNS ARE APPROXIMATE AND THE CONTRACTOR MUST MAKE ANY NECESSARY CHANGES IN THE PIPING RUNS, ETC., AND AT NO ADDITIONAL COST TO THE OWNER. OUTLET LOCATIONS ARE CRITICAL AND MUST BE LOCATED EXACTLY ACCORDING TO THE PLUMBING PLAN. REFER TO THE OTHER DRAWINGS FOR DETAILS OF THE BUILDING CONSTRUCTION AND THE OTHER MECHANICAL, ELECTRICAL, AND EQUIPMENT FEATURES.

B. COORDINATION AND WORKMANSHIP: SCHEDULE THIS WORK SO THAT IT WILL BE PROPERLY COORDINATED WITH ALL OTHER TRADES. WORKMANSHIP SHALL BE IN ACCORDANCE WITH THE BEST PRACTICE FOR THE CLASS OF WORK INVOLVED. WORKMANSHIP SHALL ALLOW THE APPLIANCE TO OPERATE AS INTENDED AND BE INSTALLED TO BEST PROTECT THE PUBLIC AND OPERATORS FROM INJURY OR DAMAGE, AND TO PRESENT A NEAT, PLEASING, AND ORDERLY APPEARANCE.

C. PRIOR TO COMMENCING WORK ON THIS PROJECT, VERIFY DEPTH, SIZE, LOCATION AND CONDITION OF ALL EXISTING UTILITIES IN FIELD. THE CONTRACTOR MUST MAKE ANY NECESSARY CHANGES TO SUIT SITE CONDITIONS AT NO ADDITIONAL COST TO THE OWNER.

D. VERIFY EXACT ROUGH-IN AND FINAL EQUIPMENT REQUIREMENTS IN FIELD.

E. THE PLUMBING CONTRACTOR SHALL COORDINATE WITH THE GENERAL CONTRACTOR AND OTHER TRADES, ALL REQUIRED OPENINGS AND TRENCHING.

MATERIALS AND PERFORMANCE

1. MATERIALS

ALL MATERIALS SHALL BE NEW AND OF THE QUALITY INDICATED BY THE SPECIFIED BRAND NAMES. SUBSTITUTIONS OF MATERIAL OF EQUAL QUALITY BY OTHER FIRST-LINE MANUFACTURERS MAY BE ACCEPTABLE PROVIDED A LIST OF SUCH SUBSTITUTIONS IS APPROVED IN WRITING BY THE ARCHITECT AND ENGINEER OF RECORD.

2. INSTALLATION

CLEANOUTS MUST BE INSTALLED ON MINIMUM DROP LINES EVEN THOUGH NOT SHOWN ON THE PLANS. USE REDUCING FITTINGS IN MAKING REDUCTIONS IN SIZE OF PIPE. REAM ALL PIPE AFTER CUTTING, THEN TURN PIPES ON END AND KNOCK OUT ALL LOOSE DIRT AND SCALE BEFORE INSTALLING. MAKE CHANGES IN HORIZONTAL DIRECTION OF SOIL AND WASTE PIPES WITH LONG RADIUS FITTINGS OR WITH COMBINATION "Y" BRANCHES AND 1/8TH BENDS. CONNECT SOIL STACKS AT BASE TO HORIZONTAL RUNS WITH COMBINATION "Y" AND 1/8TH BENDS. ALL WATER & GAS LINES SHALL BE KEPT TIGHT TO THE UNDERSIDE OF EQUIPMENT & SECURED IN PLACE.

SOIL AND WASTE PIPE SHALL SLOPE 2% MINIMUM, UNLESS OTHERWISE NOTED OR REQUIRED BY CODE.

WATER SUPPLY PIPES TO FIXTURES AND WASTE PIPES FROM FIXTURES SHALL BE CENTERED IN THE PROPER PLACE RELATIVE TO THE CENTER LINE OF THE FIXTURE. NO OFFSETS WILL BE ALLOWED. ALL PIPES SHALL BE RUN MECHANICALLY STRAIGHT AND SQUARE WITH BUILDING LINES, EXCEPT FOR REQUIRED PITCH ON HORIZONTAL LINES, AND ALL CHANGES IN DIRECTION SHALL BE MADE WITH FITTINGS. WATER PIPING TO BE ROUTED IN WALLS, UNDER THE FLOOR SLAB, AND ABOVE SUSPENDED CEILINGS AS NOTED. WHERE WATER LINES ARE ROUTED UNDER THE FLOOR SLAB, NO MECHANICAL JOINTS SHALL BE MADE UNDER THE SLAB EXCEPT AS LISTED BELOW. WATER PIPING SHALL BE INSTALLED NOT TO EXERT VERTICAL NOR HORIZONTAL STRESSES ON THE SEATING OF UNIONS.

NO WAX, PUTTY, OR VARNISH WILL BE PERMITTED. CRACKED FITTINGS SHALL BE REMOVED AND REPLACED WITH NEW FITTINGS. MAKE THREADED JOINTS IN BRASS PIPE AND FITTING WITH PIPE THREADING TO THE SHOULDER OF THE FITTINGS. NO SLIP JOINTS OR COUPLING JOINTS IN BRASS PIPE WILL BE PERMITTED, EXCEPT ON THE FIXTURE SIDE OF THE TRAP.

ALL VALVES, UNIONS, ETC. SHALL BE SAME SIZE AS PIPE UNLESS OTHERWISE INDICATED ON DRAWINGS.

3. NATURAL GAS PIPING

PROVIDE GAS PIPING TO UNITS AND ALL FINAL CONNECTIONS REQUIRED FOR OPERATION.

FOR ABOVE GROUND INSTALLATIONS, ALL FITTINGS TO BE JOINED WITH TEFLON TAPE SEAL OR OTHER SUITABLE SEAL AND MADE IN CONFORMANCE WITH THE BEST PRACTICES OF AGA AND NFPA 54. UNIONS SHALL BE CAST BLACK IRON AND INSTALLED IN A MANNER SUCH THAT NO STRESS WILL BE PLACED ON THE MALE-FEMALE SEALING SURFACES. PROPER ALIGNMENT WILL BE MADE AT TIME OF INSTALLATION. ALL JOINTS AND CONNECTIONS SHALL BE THOROUGHLY CLEANED OF OIL, THREAD CUTTINGS AND RESIDUALS TO ACCEPT ENAMEL PAINT. ROUGH OR SHARP EXPOSED THREAD SURFACES SHALL BE FILED SMOOTH.

A. MATERIALS: BLACK CARBON STEEL, SCH. 40 WITH MALLEABLE IRON THREADED FITTINGS.

B. PAINTING: PAINT ALL GAS PIPING EXPOSED TO WEATHER WITH ONE COAT OF PRIMER, AND TWO COATS OF RUST-PROOF PAINT.

PROVIDE A LEVER HANDLE GAS SHUT-OFF VALVE IN THE BRANCH PIPING OF EACH APPLIANCE OR PIECE OF EQUIPMENT, FOR EACH APPLIANCE INSTALL QUICK DISCONNECT, FLEXIBLE PIPE WHEN ALLOWED BY CODE AND . PROVIDE PRESSURE REDUCING VALVES AT EACH PIECE OF EQUIPMENT OR APPLIANCE. IF GAS PRESSURE GREATER THAN 10"WC IS USED DOWNSTREAM FROM THE GAS METER.

4. WATER PIPING

WATER METER & BACK FLOW REQUIREMENTS SHALL BE IN ACCORDANCE W/ LOCAL CODES & UTILITY COMPANIES.

JOINTS SHALL BE CLEANED AND DEBURRED AS RECOMMENDED BY THE MANUFACTURER AND LOCAL CODES AND SOLDERED AS LISTED BELOW. FLUX SHALL BE NON-CORROSIVE. ALL PIPE JOINT MATERIALS SHALL BE LEAD-FREE.

ABOVE GRADE - WHERE FITTINGS ARE SOLDERED BOTH FITTINGS AND TUBING SHALL BE CLEANED AS DESCRIBED ABOVE. UNDER NO CIRCUMSTANCES SHALL DISSIMILAR METALS COME INTO DIRECT CONTACT WITH COPPER TUBING, E.G., GALVANIZED STRAPPING, HANGERS, OR CLAMPS TO SECURE THE TUBING.

BELOW GRADE, OR FLOOR SLAB ON EARTH OR STONE FILL - HIGH TEMPERATURE, SOLDER, 1200 DEG. FOR GREATER MELTING POINT.

ALL VALVES, TRAP PRIMERS, WATER HAMMER ARRESTORS OR OTHER EQUIPMENT SHOWN IN WALLS OR ABOVE NON-ACCESSIBLE

NOTE:

WATER PIPE TO BE PROPERLY SECURED AND ALIGNED SO AS NOT TO EXERT VERTICAL OR HORIZONTAL STRESSES ON THE SEATING OF THE MATING (MALE AND FEMALE) SURFACES OF THE UNIONS.

- A. MATERIALS - UNDERGROUND: TYPE "K" COPPER TUBE, SOFT TEMPER OR PEX
- B. MATERIALS - ABOVEGROUND: TYPE "M" COPPER TUBE OR PEX
- C. INSULATION: INSULATION FOR HOT AND COLD WATER PIPING SHALL BE 1/2" THICK ARMAFLEX UL LABELED OR 1" FIBERGLASS 25/50 WITH ASJ/SSL FOIL/VINYL JACKET OR EQUAL. INSULATE ALL PIPING AND FITTINGS.

5. WASTE PIPING

- A. VERIFY THE LOCATION OF THE SANITARY SEWER ON THE SITE PLAN AND SHALL REVISE THE SANITARY LAYOUT AS REQUIRED.
- C. MATERIALS (SANITARY/GREASE WASTE & VENT): PVC SCH. 40, SOLID CORE (ASTM 2665), WITH SCH. 40 DRAINAGE PATTERN PVC FITTINGS AND SOLVENT CEMENTED JOINTS WITH TINTED PRIMER.
- D. MATERIALS (ABOVEGROUND INDIRECT DRAIN AND CONDENSATE DRAIN LINES): NON-COMBUSTIBLE CONSTRUCTION, COPPER/CI DWV, PVC DWV OR SYSTEM 15. USE ONLY METAL PIPE OR XFR IN RETURN AIR CEILING PLENUM
- E. INSULATION: INSULATE ALL ABOVEGROUND INDIRECT OR CONDENSATE DRAIN LINES COLLECTING COLD CONDENSATE FROM REFRIGERATION OR HVAC EQUIPMENT. INSULATION SHALL BE 1/2" THICK ARMAFLEX, OR EQUAL.
- F. HEAT TRACING: HEAT TRACE ALL CONDENSATE DRAIN LINES INSIDE COOLERS AND FREEZERS AT 5 WATTS/LINEAR FOOT (MINIMUM).

6. VENT PIPING

PROVIDE ALL NECESSARY VENT PIPING FROM ALL FIXTURES FOR A COMPLETE SYSTEM TO ALL LOCAL PLUMBING CODES AND LOCAL AUTHORITY REQUIREMENTS.

- 1. PIPE SLEEVES/ESCUTCHEONS: PROVIDE CHROME-PLATED ESCUTCHEONS ON ALL PIPES PASSING THROUGH WALLS, FLOORS, OR CEILINGS OF FINISHED ROOMS. ESCUTCHEONS TO BE BEATON & CADWELL, #10, 40, 6A OR EQUIVALENT WITH SET-SCREWS. PROVIDE ESCUTCHEONS ON ALL WASTE LINES FROM PLUMBING FIXTURES, WHETHER THROUGH WALLS, FLOORS, AND WHETHER CONCEALED BEHIND COUNTERS OR EXPOSED. PIPE SLEEVES SHALL BE PROVIDED WHEN PIPES PENETRATE FOUNDATION AND SHALL BE 1" LARGER THAN PIPE, SEAL SLEEVE WITH CAULKING.
- 2. PLUMBING FIXTURES: FURNISH AND INSTALL PLUMBING FIXTURES AS SHOWN ON DRAWINGS WITH ALL ACCESSORIES AND TRIM AS REQUIRED. ALL FIXTURES SHALL BE PROTECTED THROUGH THE COURSE OF THE CONSTRUCTION. ANY FIXTURE DAMAGED SHALL BE REPLACED WITHOUT ADDITIONAL EXPENSE TO THE OWNER.
- 3. CONNECTION TO OTHER FIXTURES: CONNECT BUILDING SERVICE PIPING, INCLUDING BUT NOT LIMITED TO WATER, DRAIN, AND GAS PIPES TO EQUIPMENT AS INDICATED IN EQUIPMENT SPECIFICATIONS.

4. TESTS:

- A. DRAINAGE AND VENT PIPING - DRAINAGE AND VENT PIPING SHALL BE TESTED BEFORE THE PLUMBING FIXTURES ARE INSTALLED BY CAPPING THE OPENINGS AND FILLING THE ENTIRE SYSTEM WITH WATER AND ALLOWING IT TO STAND THUS FILLED NOT LESS THAN ONE (1) HOUR. INSPECT WATER LEVEL TO DETERMINE IF PIPING IS TIGHT.
- B. WATER PIPING - THE WATER SUPPLY PIPING LINES SHALL BE TESTED BEFORE THE PLUMBING FIXTURES ARE CONNECTED BY FILLING THE ENTIRE SYSTEM WITH POTABLE WATER AND APPLYING HYDROSTATIC PRESSURE OF 100 PSI AND ALLOWING TO STAND FOR NOT LESS THAN FOUR (4) HOURS AT THIS PRESSURE TO PROVE PLUMBING INTEGRITY.
- C. GAS PIPING - IN LIEU OF LOCAL REQUIREMENTS, GAS PIPING SHALL BE FILLED WITH COMPRESSED AIR TO 150 PSI AND HELD FOR A PERIOD OF FOUR (4) HOURS. EACH JOINT SHALL BE CHECKED BY LIQUID SOAP OR SPECIAL LIQUID CHEMICAL FOR LEAKS. NOTE: REMOVE ALL GAS VALVES AND PROTECT FROM DAMAGE BEFORE TESTING SYSTEM.

12. DISINFECTION OF POTABLE WATER SYSTEM: UPON COMPLETION OF INSTALLATION DISINFECT THE WATER SYSTEM BY FILLING IT WITH SOLUTION CONTAINING 50 PARTS PER MILLION OF CHLORINE AND ALLOW IT TO STAND FOR NOT LESS THAN SIX (6) HOURS BEFORE FLUSHING THOROUGHLY AND RETURNING TO SERVICE. FURNISH CLEAN WATER SAMPLES TO THE LOCAL AUTHORITY FOR TESTING AFTER THE LINES HAVE BEEN DISINFECTED.

13. CLEANUP: CLEAN ALL PLUMBING FIXTURES AND EQUIPMENT THOROUGHLY BEFORE FINAL INSPECTION, LEAVING ALL READY FOR USE.

14. EXTENDED WARRANTY: WARRANT IN WRITING ANY EQUIPMENT OR MATERIALS USED IN THE INSTALLATION HAVING AN EXTENDED WARRANTY AS OFFERED BY THE MANUFACTURER. PROVIDE NEW OR REBUILT ASSEMBLIES TO THE SITE FOR ANY SUCH EQUIPMENT OR MATERIALS WHICH FAIL DURING THIS PERIOD, AND INSTALL AT NO ADDITIONAL COST TO THE OWNER.

15. OWNER'S MANUAL: PROVIDE THE OWNER, AT THE COMPLETION OF THIS CONTRACT, WITH AN "OWNER'S MANUAL" SO LABELED. A SECOND LIKE MANUAL SHALL BE PREPARED AND FORWARDED TO THE MRP'S ARCHITECTURE AND ENGINEERING DEPARTMENT FOR "JOB RECORDS". THE MANUAL SHALL CONSIST OF A THREE-RING LOOSE-LEAF BINDER CONTAINING ALL PRINTED MATTER SUCH AS: GUARANTEE CARDS, CLEANING INSTRUCTIONS, NOTICES TO OWNER, OPERATING MANUALS, AND MAINTENANCE INSTRUCTIONS THAT MAY BE CONTAINED IN THE SHIPPING CARTONS OR HOUSING OF EQUIPMENT AND ARCHITECTURAL SPECIALTIES.

GENERAL NOTES:
DRAWINGS ARE TO BE READ NOT SCALED. CONTRACTOR MUST VERIFY ALL DIMENSIONS AND BE RESPONSIBLE FOR THE SAME. REPORT ANY DISCREPANCIES TO THE DESIGNER BEFORE COMMENCING THE WORK. THE DRAWINGS AND DOCUMENTS PROVIDED HERE WITHIN ARE THE EXCLUSIVE PROPERTY OF MECHWAYS INC. REPRODUCTION OF THE DOCUMENTS PROVIDED IS PROHIBITED WITHOUT THE CONSENT OF THE DESIGNER. ALL DESIGN AND CONSTRUCTION DOCUMENTATION ARE FINAL UNLESS REVISED BY THE DESIGNER. IF ANY DISCREPANCIES ARE DISCOVERED HERE WITHIN, THE DESIGNER SHALL BE NOTIFIED.

SEAL:



2		
1	ISSUED FOR BUILDING PERMIT	MAR / 06 / 2025
NO.	DESCRIPTION	DATE

ENGINEER:

 ADDRESS : 6 RIPON STREET, MISSISSAUGA, ON, L4T 1E2
 TEL. : 416-627-4100
 EMAIL : INFO@MECHWAYS.COM
 WEBSITE : WWW.MECHWAYS.COM

PROJECT:
 ÉCOLE ÉLÉMENTAIRE CATHOLIQUE MARGUERITE-BOURGEDIS

SHEET TITLE:
 PLUMBING NOTES

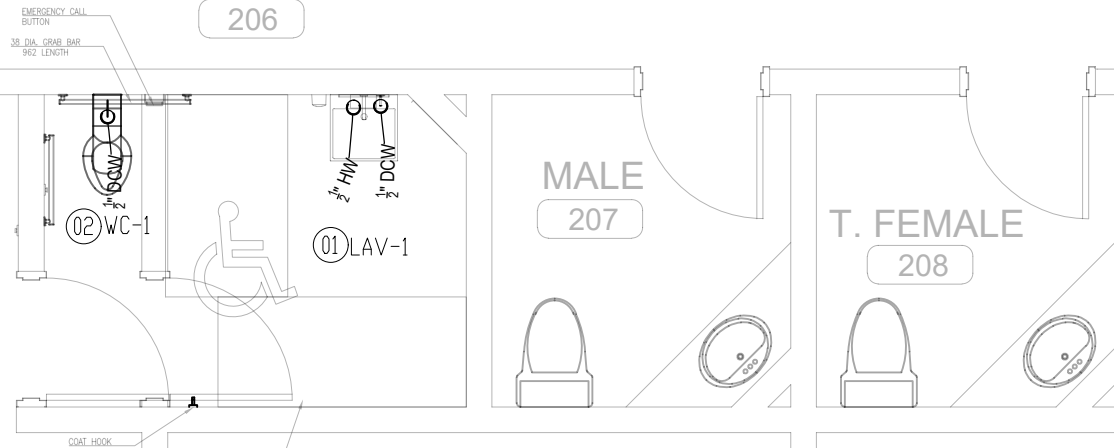
CHECKED: SQ
 DRAWN: HK
 SCALE: N.T.S
 DATE: MAR / 06 / 2025

DRAWING:
 1.00

01 UNIVERSAL, MALE & FEMALE WASHROOM

NOT TO SCALE

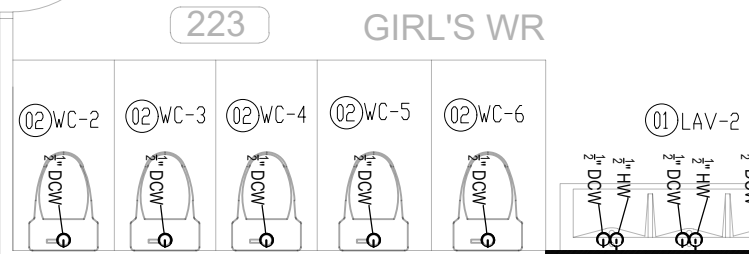
UNIVERSAL WASHROOM



02 GIRL'S WASHROOM

NOT TO SCALE

EÉD CLASSROOM



PLUMBING GENERAL NOTES:

- ALL PLUMBING WORK TO CONFORM TO OBC AND CSA STANDARDS, LOCAL MUNICIPAL BY-LAW AND REGULATION SHALL COMPLY.
- CO-ORDINATE PIPE INSTALLATION WITH ELECTRICAL CONDUITS, DUCT & STRUCTURAL MEMBERS. OFFSET PIPE AS REQUIRED.
- CONTRACTOR TO FIELD VERIFY WORK SITE CONDITIONS. COORDINATE WITH OWNER AND PROPERTY MANAGER PRIOR COMMENCE. VERIFY WITH LANDLORD'S REPRESENTATIVE THE SCOPE OF LANDLORD AND TENANT CONTRACTOR'S WORK BEFORE PRICING. ALL WORK TO ADHERE TO LEASE AGREEMENT, LANDLORD'S TENANT DESIGN CRITERIA.
- PROVIDE ACCESS PANELS OF SUFFICIENT SIZE AS AND WHERE REQUIRED.
- PROVIDE HEAT TRACING AND INSULATE ALL PIPINGS AS REQUIRED WITH MIN. R-12 INSULATION IF REQUIRED USE XFR DRAINING PIPING IF REQUIRED AND IF APPLICABLE.
- CO-ORDINATE ROUTING OF SANITARY AND STORM PIPES WITH DUCTWORK, STRUCTURAL AND ELECTRICAL. REVISED AND RELOCATE AS REQUIRED.
- DO NOT INSTALL HW & CW PIPES IN EXPOSED EXTERIOR WALLS.
- PROVIDE PIPE HANGERS WERE REQUIRED AT MINIMUM SPACING AS RECOMMENDED BY PIPE MANUFACTURE AND TO COMPLY AS PER ABC BUT NOT LESS THAN 8" AND AT EVERY FITTING.
- SANITARY DRAINAGE AND VENT PIPING ABOVE GRADE SHALL BE TIGHT "DWV" PVC/XFR PIPING AS PER OBC AND LOCAL CITY CODE.
- DOMESTIC HOT AND COLD WATER PIPING SHALL BE TYPE "L" HARD COPPER TUBING WITH SOLDERED FITTINGS.
- ALL MATERIALS TO COMPLY WITH CSA AND OBC, ALL VENTS AND PRIMERS AS PER OBC, CITY & PROPERTY MANAGEMENT.
- ANY MATERIALS ABOVE CEILING SHOULD BE AS PER OBC AND CITY STANDARDS.
- PROVIDE ALL REQUIRED FITTINGS, TRAPS, VALVES, FAUCETS.
- COORDINATE WITH LANDLORD ALL WORK INCLUDING ANY SLAB CUTTING, CORING AND X-RAY.
- PROVIDE NEW ISOLATION SHUTOFF VALVES ON DCW AND DHW CONNECTIONS ON ALL NEW PLUMBING FIXTURES WITH ADEQUATE ACCESS. PROVIDE ADEQUATE ACCESS TO DCW SHUT OFF VALVES.
- REFER TO PLUMBING NOTES AND SCHEDULES FOR ADDITIONAL INFORMATION ON SHEET M 1.1
- PROVIDE CLEANOUTS AND TRAP PRIMING FOR SANITARY AS REQUIRED BY OBC AND LOCAL AUTHORITY STANDARDS.
- HUB OR FLOOR DRAIN TO BE PROVIDED FOR HWT OVERFLOW.

GENERAL NOTES:
DRAWINGS ARE TO BE READ NOT SCALED. CONTRACTOR MUST VERIFY ALL DIMENSIONS AND BE RESPONSIBLE FOR THE SAME. REPORT ANY DISCREPANCIES TO THE DESIGNER BEFORE COMMENCING THE WORK. THE DRAWINGS AND DOCUMENTS PROVIDED HERE WITHIN ARE THE EXCLUSIVE PROPERTY OF MECHWAYS INC. REPRODUCTION OF THE DOCUMENTS PROVIDED IS PROHIBITED WITHOUT THE CONSENT OF THE DESIGNER. ALL DESIGN AND CONSTRUCTION DOCUMENTATION ARE FINAL UNLESS REVISED BY THE DESIGNER. IF ANY DISCREPANCIES ARE DISCOVERED HERE WITHIN, THE DESIGNER SHALL BE NOTIFIED.

SEAL:



1	ISSUED FOR BUILDING PERMIT	MAR / 06 / 2025
NO.	DESCRIPTION	DATE

ENGINEER:



ADDRESS : 6 RIPON STREET, MISSISSAUGA ON, L4T 1E2
TEL : 416-627-4100
EMAIL : INFO@MECHWAYS.COM
WEBSITE : WWW.MECHWAYS.COM

PROJECT:

ÉCOLE ÉLÉMENTAIRE CATHOLIQUE MARGUERITE-BOURGEOIS

SHEET TITLE:

PLUMBING LAYOUT

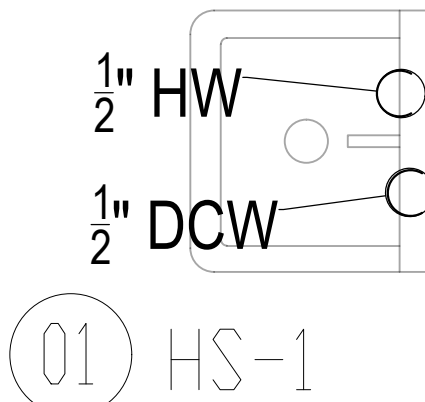
CHECKED: SQ
DRAWN: HK
SCALE: N.T.S
DATE: MAR / 06 / 2025

DRAWING:

M 2.1

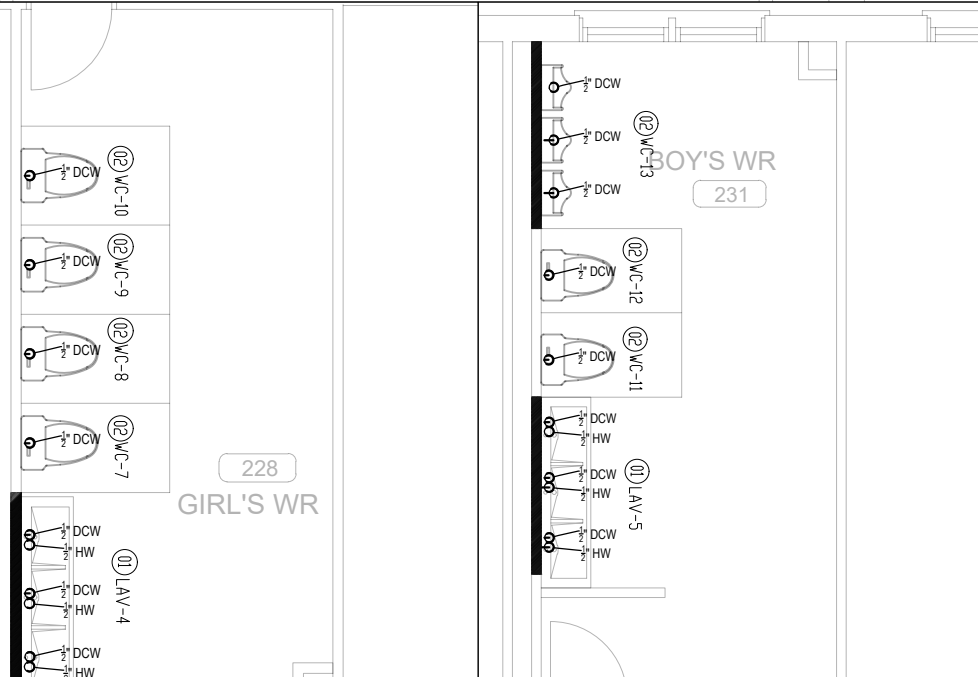
03 HALLWAY HAND SINK

NOT TO SCALE



04 GIRL'S WASHROOM

NOT TO SCALE



IMPORTANT NOTE:

- CONTRACTOR SHALL INSTALL NEW SHUT-OFF VALVES FOR ALL FEED LINES, ALONG WITH ACCESS PANELS IN EACH WASHROOM.
- THE EXISTING TOUCHLESS AND FLUSH VALVES TOILETS ARE TO REMAIN AS IS AND REUSED WHERE EVER NEW FIXTURES ARE NOT PROPOSED.

PLUMBING KEY NOTES:

- 01 1/2" COLD AND HOT WATER LINES DOWN IN WALL TO, HAND SINKS AND LAVATORIES.
- 02 1/2" COLD WATER DOWN IN WALL TO FLUSH TANK W/C.

REFER DRAWING M-1.1 FOR PLUMBING GENERAL NOTES & PLUMBING FIXTURES SPEC.

GC TO PROVIDE BACKFLOW PREVENTION DEVICE ON ALL APPLICABLE PLUMBING FIXTURES AS PER APPROPRIATE CODES AND STANDARDS.

PLUMBING FIXTURES NOTES :

PROVIDE CLEANOUTS AND TRAP PRIMING FOR SANITARY AS REQUIRED BY OBC. AND LOCAL AUTHORITY STANDARDS.

HUB OR FLOOR DRAIN TO BE PROVIDED FOR HWT OVERFLOW.

PROVIDE ALL REQUIRED FITTINGS, TRAPS, VALVES, FAUCETS

MINIMUM FIXTURE CONNECTION SCHEDULE

MARK	HW	CW	WASTE	VENT	REMARKS
LAV, HS,	1/2"	1/2"	2"	1.25"	WASHROOM, HALLWAY
URINAL	-	1/2"	2"	1.5"	WASHROOMS
WC (WATERCLOSET)	-	1/2"	3"	1.5"	WASHROOMS
CTE	-	-	-	-	CONNECT TO EXISTING

PLUMBING NOTES:

- ONLY THE MAIN COLD WATER (W) AND HOT WATER PIPES ARE SHOWN. MAKE INDIVIDUAL CONNECTIONS.
- PROVIDE CSA APPROVED BACKFLOW PREVENTERS AT ALL POTABLE CONNECTIONS TO EQUIPMENT
- INDIVIDUALLY VENT ALL FIXTURES
- TRAP, PRIME AND VENT ALL DRAINS FLOOR (FD), FUNNEL FLOOR (FFD), HUB (HD) AND FLOOR SINK (FS)
- PIPES:
 - WATER:
 - NON COMBUSTIBLE CONSTRUCTION
 - ABOVE GRADE WATER: COPPER M, INSULATE 1/2" THK. RIGID TYPE FIBRE GLASS INSULATION OR PEX
 - BELOW GRADE WATER: COPPER K OR PEX
 - WASTE/VENT:
 - BELOW GRADE: PLASTIC (PVC OR ABS)
 - ABOVE GRADE: NON-COMBUSTIBLE CONSTRUCTION, COPPER/CI DWV, PVC DWV OR SYSTEM 15. USE ONLY METAL PIPE OR XFR IN RETURN AIR CEILING PLENUM
- PROVIDE 3M FIRESTOPPING PRODUCT WHERE PIPES PENETRATE FIRE RATED ASSEMBLIES
- DRAINS:
 - FLOOR DRAINS (FD) - PLASTIC BODY, BRONZE GRATE
 - HUB DRAINS (HD) - SAME AS ABOVE, PROVIDE ROUND FUNNEL AND SIZE TO ACCEPT NUMBER OF DRAINS
 - FUNNEL FLOOR DRAINS (FFD) - SAME AS ABOVE, PROVIDE OVAL FUNNEL AND SIZE TO ACCEPT NUMBER OF DRAINS

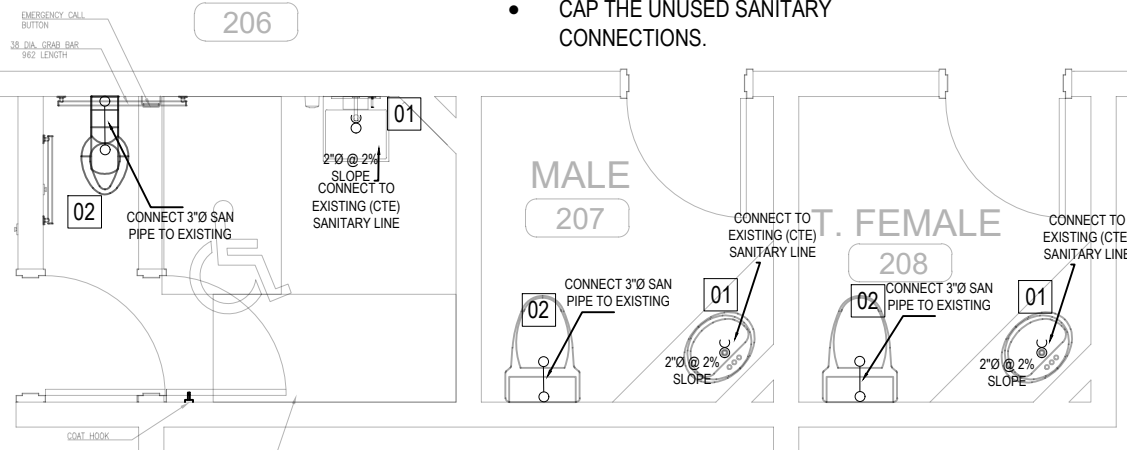
01 UNIVERSAL, MALE & FEMALE WASHROOM

NOT TO SCALE

NOTE:

- REPLACE THE EXISTING PLUMBING FIXTURES AS SHOWN WITH NEW PROPOSED FIXTURES. CONNECT NEW SANITARY PIPE CONNECTIONS OF SUFFICIENT SIZES FROM THE FIXTURES TO THE EXISTING SANITARY CONNECTION.
- CAP THE UNUSED SANITARY CONNECTIONS.

UNIVERSAL WASHROOM

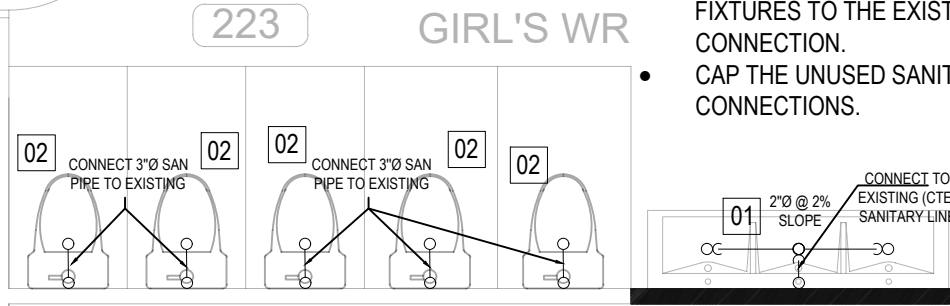


02 GIRL'S WASHROOM

NOT TO SCALE

NOTE:

- REPLACE THE EXISTING PLUMBING FIXTURES AS SHOWN WITH NEW PROPOSED FIXTURES. CONNECT NEW SANITARY PIPE CONNECTIONS OF SUFFICIENT SIZES FROM THE FIXTURES TO THE EXISTING SANITARY CONNECTION.
- CAP THE UNUSED SANITARY CONNECTIONS.

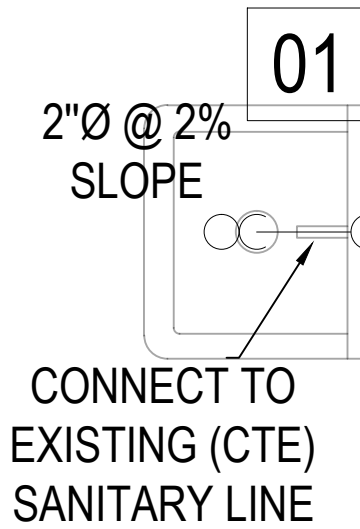


PLUMBING GENERAL NOTES:

- ALL PLUMBING WORK TO CONFORM TO OBC AND CSA STANDARDS, LOCAL MUNICIPAL BY-LAW AND REGULATION SHALL COMPLY.
- CO-ORDINATE PIPE INSTALLATION WITH ELECTRICAL CONDUITS, DUCT & STRUCTURAL MEMBERS. OFFSET PIPE AS REQUIRED.
- CONTRACTOR TO FIELD VERIFY WORK SITE CONDITIONS. COORDINATE WITH OWNER AND PROPERTY MANAGER PRIOR COMMENCE. VERIFY WITH LANDLORD'S REPRESENTATIVE THE SCOPE OF LANDLORD AND TENANT CONTRACTOR'S WORK BEFORE PRICING. ALL WORK TO ADHERE TO LEASE AGREEMENT, LANDLORD'S TENANT DESIGN CRITERIA.
- PROVIDE ACCESS PANELS OF SUFFICIENT SIZE AS AND WHERE REQUIRED.
- PROVIDE HEAT TRACING AND INSULATE ALL PIPINGS AS REQUIRED WITH MIN. R-12 INSULATION IF REQUIRED USE XFR DRAINING PIPING IF REQUIRED AND IF APPLICABLE.
- CO-ORDINATE ROUTING OF SANITARY AND STORM PIPES WITH DUCTWORK, STRUCTURAL AND ELECTRICAL. REVISED AND RELOCATE AS REQUIRED.
- DO NOT INSTALL HW & CW PIPES IN EXPOSED EXTERIOR WALLS.
- PROVIDE PIPE HANGERS WHERE REQUIRED AT MINIMUM SPACING AS RECOMMENDED BY PIPE MANUFACTURE AND TO COMPLY AS PER ABC BUT NOT LESS THAN 80" AND AT EVERY FITTING.
- SANITARY DRAINAGE AND VENT PIPING ABOVE GRADE SHALL BE TIGHT "DWV" PVC/XFR PIPING AS PER OBC AND LOCAL CITY CODE.
- DOMESTIC HOT AND COLD WATER PIPING SHALL BE TYPE "L" HARD COPPER TUBING WITH SOLDERED FITTINGS.
- ALL MATERIALS TO COMPLY WITH CSA AND OBC, ALL VENTS AND PRIMERS AS PER OBC, CITY & PROPERTY MANAGEMENT.
- ANY MATERIALS ABOVE CEILING SHOULD BE AS PER OBC AND CITY STANDARDS.
- PROVIDE ALL REQUIRED FITTINGS, TRAPS, VALVES, FAUCETS.
- COORDINATE WITH LANDLORD ALL WORK INCLUDING ANY SLAB CUTTING, CORING AND X-RAY.
- PROVIDE NEW ISOLATION SHUTOFF VALVES ON DCW AND DHW CONNECTIONS ON ALL NEW PLUMBING FIXTURES WITH ADEQUATE ACCESS. PROVIDE ADEQUATE ACCESS TO DCW SHUT OFF VALVES.
- REFER TO PLUMBING NOTES AND SCHEDULES FOR ADDITIONAL INFORMATION ON SHEET M 1.1
- PROVIDE CLEANOUTS AND TRAP PRIMING FOR SANITARY AS REQUIRED BY OBC AND LOCAL AUTHORITY STANDARDS.
- HUB OR FLOOR DRAIN TO BE PROVIDED FOR HWT OVERFLOW.

GENERAL NOTES:
DRAWINGS ARE TO BE READ NOT SCALED. CONTRACTOR MUST VERIFY ALL DIMENSIONS AND BE RESPONSIBLE FOR THE SAME. REPORT ANY DISCREPANCIES TO THE DESIGNER BEFORE COMMENCING THE WORK. THE DRAWINGS AND DOCUMENTS PROVIDED HERE WITHIN ARE THE EXCLUSIVE PROPERTY OF MECHWAYS INC. REPRODUCTION OF THE DOCUMENTS PROVIDED IS PROHIBITED WITHOUT THE CONSENT OF THE DESIGNER. ALL DESIGN AND CONSTRUCTION DOCUMENTATION ARE FINAL UNLESS REVISED BY THE DESIGNER. IF ANY DISCREPANCIES ARE DISCOVERED HERE WITHIN, THE DESIGNER SHALL BE NOTIFIED.

SEAL:



03 HALLWAY HAND SINK

NOT TO SCALE

MINIMUM FIXTURE CONNECTION SCHEDULE					
MARK	HW	CW	WASTE	VENT	REMARKS
LAV, HS,	1/2"	1/2"	2"	1.25"	WASHROOM, HALLWAY
URINAL	-	1/2"	2"	1.5"	WASHROOMS
WC (WATERCLOSET)	-	1/2"	3"	1.5"	WASHROOMS
CTE	-	-	-	-	CONNECT TO EXISTING

PROVIDE CLEANOUTS AND TRAP PRIMING FOR SANITARY AS REQUIRED BY OBC AND LOCAL AUTHORITY STANDARDS. HUB OR FLOOR DRAIN TO BE PROVIDED FOR HWT OVERFLOW. PROVIDE ALL REQUIRED FITTINGS, TRAPS, VALVES, FAUCETS

GENERAL CONTRACTOR TO VERIFY EXISTING SANITARY PIPE SIZE AND SLOPE DIRECTION PRIOR TO CONNECT TO MAIN SANITARY LINE, WORK TO COORDINATE WITH PROPERTY MANAGER

DRAINAGE KEY NOTES:

- ROUTE 2" SANITARY LINES FOR HAND SINK AND LAVATORIES WITH 1.25" VENT.
- ROUTE 3" SANITARY LINE FOR WATER CLOSET WITH 1 1/2" VENT.

G.C. TO CONFIRM EXACT LOCATION OF ALL U/G SERVICES/UTILITIES IN COORDINATION WITH PROPERTY MANAGER PRIOR TO COMMENCE WORK. REFER TO LANDLORDS DESIGN CRITERIA DOCUMENT FOR FLOOR SLAB CUTTING AND DOCUMENTATION PROCEDURES.

NO PLUMBING LINES SHALL BE RUN IN TO FIRE RATED DEMISING WALLS.

REFER DRAWING M-1.1 FOR PLUMBING GENERAL NOTES & PLUMBING FIXTURES SPEC.

GC TO PROVIDE BACKFLOW PREVENTION DEVICE ON ALL APPLICABLE PLUMBING FIXTURES AS PER APPROPRIATE CODES AND STANDARDS.

PLUMBING NOTES:

- ONLY THE MAIN COLD WATER (W) AND HOT WATER PIPES ARE SHOWN. MAKE INDIVIDUAL CONNECTIONS.
- PROVIDE CSA APPROVED BACKFLOW PREVENTERS AT ALL POTABLE CONNECTIONS TO EQUIPMENT
- INDIVIDUALLY VENT ALL FIXTURES
- TRAP, PRIME AND VENT ALL DRAINS FLOOR (FD), FUNNEL FLOOR (FFD), HUB (HD) AND FLOOR SINK (FS)
- PIPES:
 - WATER:
 - NON COMBUSTIBLE CONSTRUCTION
 - ABOVE GRADE WATER: COPPER M, INSULATE 1/2" THK. RIGID TYPE FIBRE GLASS INSULATION OR PEX
 - BELOW GRADE WATER: COPPER K OR PEX
 - WASTE/VENT:
 - BELOW GRADE: PLASTIC (PVC OR ABS)
 - ABOVE GRADE: NON-COMBUSTIBLE CONSTRUCTION, COPPER/CI DWV, PVC DWV OR SYSTEM 15. USE ONLY METAL PIPE OR XFR IN RETURN AIR CEILING PLENUM
- PROVIDE 3M FIRESTOPPING PRODUCT WHERE PIPES PENETRATE FIRE RATED WALLS.
- DRAINS:
 - FLOOR DRAINS (FD) - PLASTIC BODY, BRONZE GRATE
 - HUB DRAINS (HD) - SAME AS ABOVE, PROVIDE ROUND FUNNEL AND SIZE TO ACCEPT NUMBER OF DRAINS
 - FUNNEL FLOOR DRAINS (FFD) - SAME AS ABOVE, PROVIDE OVAL FUNNEL AND SIZE TO ACCEPT NUMBER OF DRAINS

NO.	DESCRIPTION	DATE
1	ISSUED FOR BUILDING PERMIT	MAR / 06 / 2025

ENGINEER:



ADDRESS : 6 RIPON STREET, MISSISSAUGA
 ON, L4T 1E2
 TEL : 416-627-4100
 EMAIL : INFO@MECHWAYS.COM
 WEBSITE : WWW.MECHWAYS.COM

PROJECT:

ÉCOLE ÉLÉMENTAIRE CATHOLIQUE MARGUERITE-BOURGEOIS

SHEET TITLE:
SANITARY LAYOUT

CHECKED: SQ
 DRAWN: HK
 SCALE: N.T.S
 DATE: MAR / 06 / 2025

DRAWING:

M 2.2

MECHWAYS INC

MANUFACTURER SPEC SHEETS

Marguerite Bourgeois - Plumbing fixtures replacement New Product Group

117 Waterloo Rd East,, Borden, Ontario, Canada

PREPARED BY

MECHWAYS
INC

03/06/2025

Table of Contents

UR-1	1
WC-1 (BF)	7
MLV-1	11
SK-1	20
WC-2	25

DRAWING

UR-1

CONSIST OF:

American Standard 6515001.020

Delta Commercial 81T231-05-WMSHWA

Watts CA-321

Watts CO-380-RD



Washbrook® FloWise® Universal Urinal

VITREOUS CHINA



Washbrook® FloWise® Universal Urinal

- Vitreous china
- Ultra High Efficiency, Low Consumption. Operates in the range of 0.125gpf to 1.0gpf (0.5 Lpf to 3.8 Lpf)
- Flushing rim
- Elongated 14" rim from finished wall
- Washout flush action
- Extended sides for privacy
- 3/4" inlet spud
- Outlet connection threaded 2" inside (NPTF)
- 2 wall hangers
- Fixture only
- Strainer included
- Meets ASME flush requirements at 0.125 to 1.0 gpf

- 6590.001** Universal Top spud
- 6515.001** Universal Back spud

Nominal Dimensions:

360 x 480 x 664mm
(14-1/8" x 18-7/8" x 26-1/8")

Recommended working pressure – between
20 psi at valve when flushing and 80 psi static

Compliance Certifications -

Meets or Exceeds the Following Specifications:

- ASME A112.19.2-2008/CSA B45.1-08 for Vitreous China Fixtures



SEE REVERSE FOR ROUGHING-IN DIMENSIONS

To Be Specified:

- Color: White
- Flush Valve:
 - 1.0 gpf Flush Valve: Sensor-Operated:
 - American Standard Selectronic® #6063.101.002 DC Power (Top Spud)
 - American Standard Selectronic® #6062.101.002 AC Power (Back Spud)
 - 1.0 gpf Flush Valve: Manual-Operated:
 - American Standard # 6045.101.002
 - 0.5 gpf Flush Valve: Sensor-Operated:
 - American Standard Selectronic® #6063.051.002 DC Power (Top Spud)
 - American Standard Selectronic® #6062.051.002 AC Power (Back Spud)
 - 0.5 gpf Flush Valve: Manual-Operated:
 - American Standard #6045.051.002
 - 0.125 gpf Flush Valve: Sensor-Operated:
 - American Standard Selectronic® #6063.013.002 DC Power (Top Spud)
 - American Standard Selectronic® #6062.013.002 AC Power (Back Spud)
 - 0.125 gpf Flush Valve: Manual-Operated:
 - American Standard #6045.013.002



MEETS THE AMERICANS WITH DISABILITIES ACT GUIDELINES
AND ANSI A117.1 ACCESSIBLE AND USABLE BUILDINGS AND
FACILITIES - CHECK LOCAL CODES.

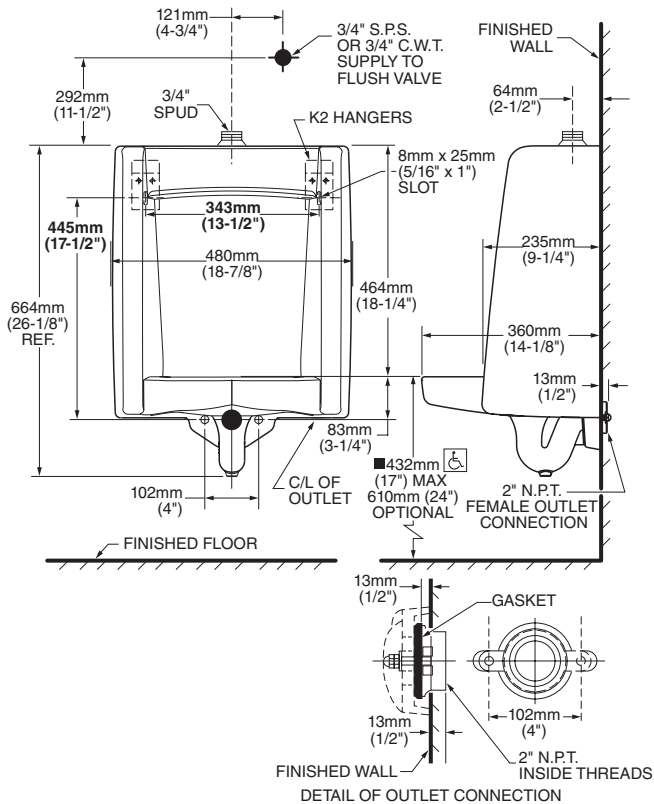
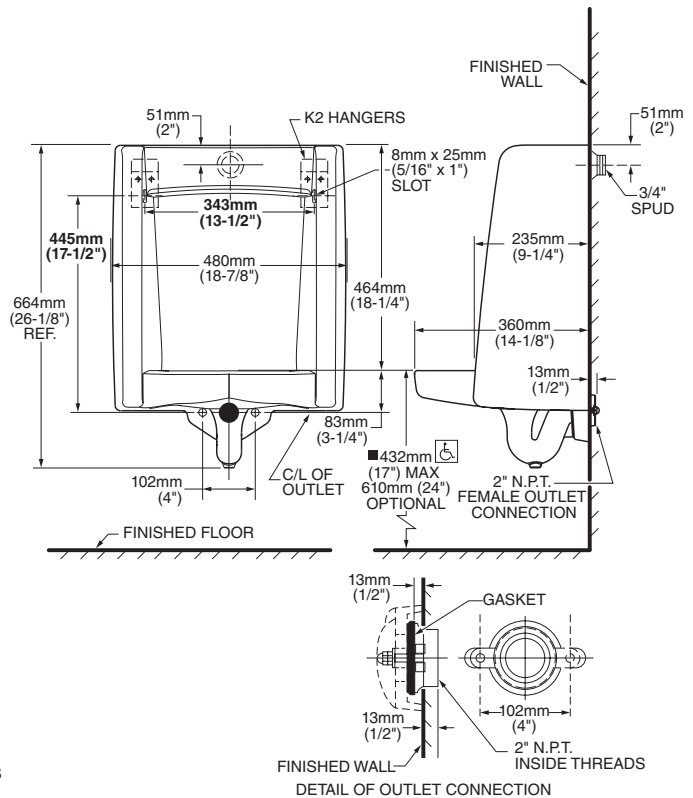
- When installed so top of rim is 432mm (17") MAXIMUM from finished floor.



When used with
0.125 gpf
urinal flush valve

When used with
0.125 or 0.5 gpf
urinal flush valve

ADA
COMPLIANT

6590.001 TOP SPUD

6515.001 BACK SPUD


- MEETS THE AMERICANS WITH DISABILITIES ACT GUIDELINES AND ANSI A117.1 ACCESSIBLE AND USABLE BUILDINGS AND FACILITIES - CHECK LOCAL CODES.
- When installed so top of rim is 432mm (17") MAXIMUM from finished floor.

NOTES:
 FLUSH VALVE NOT INCLUDED AND MUST BE ORDERED SEPARATELY.
 PROVIDE SUITABLE REINFORCEMENT FOR ALL WALL SUPPORTS.

IMPORTANT: Dimensions of fixtures are nominal and may vary within the range of tolerances established by ANSI Standard A112.19.2. These measurements are subject to change or cancellation. No responsibility is assumed for use of superseded or voided pages.

Electronic Exposed TECK® Flush Valve

TECK®
 COMMERCIAL

81T231-WMSHWA
Exposed Hardwire Operated
3/4" Top Inlet Urinal Fixture

- Polished chrome-plated vandal resistant metal cover with 4" wallmount sensor
- Right or left-hand supply installation
- ADA compliant, automatic operation hardwire powered **H2Optics®** technology infrared sensor
- Infrared sensor range adjustment of 305mm - 711mm (12" - 28"), in 4" increments, factory set at 508 mm (20") [± 50.8 mm (2")]
- Hardwire adaptor
- Vandal resistant copper tube conduit
- Adjustable 24 hour courtesy flush factory set to off
- 24 VAC input
- Electronic override button
- (110 to 24 VAC Transformer not included. See selection below for additional part number.)
- TECK® exposed diaphragm flush valve
- Chloramine resistant diaphragm
- Forged brass diaphragm retainer
- Renewable seat
- Polished chrome-plated finish
- **External water conserving flush adjustment**, factory set to 1.9 litre (0.50 gal.)
- **1" FIP / 3/4" copper sweat inlet adaptor**, angle check stop with protecting cap
- Adjustable 121mm (4-3/4") plus or minus 11mm (7/16") inlet/valve outlet centers
- Vacuum breaker
- Cover tube, stainless steel wall flange, spud flange, spud nut, and 330mm (13") outlet tube
- **Recommended water supply:**
 Minimum flowing pressure – 25 psi (172 kPa)
 Minimum flow rate – 8 gpm (30 L/min)

APPROVALS:

- IAPMO listed to ASSE 1037/ ASME A112.1037/CSA B125.37
- Indicates compliance to ICC/ANSI A117.1

(Contact Delta Representative for State and/or Local Approvals.)

Patented


Engineer/Architect Approval

Model Specified:

Approval:

Date:

81T231-WMSHWA

81T231-19-WMSHWA

 Same as 81T231-WMSHWA,
Not Field Adjustable

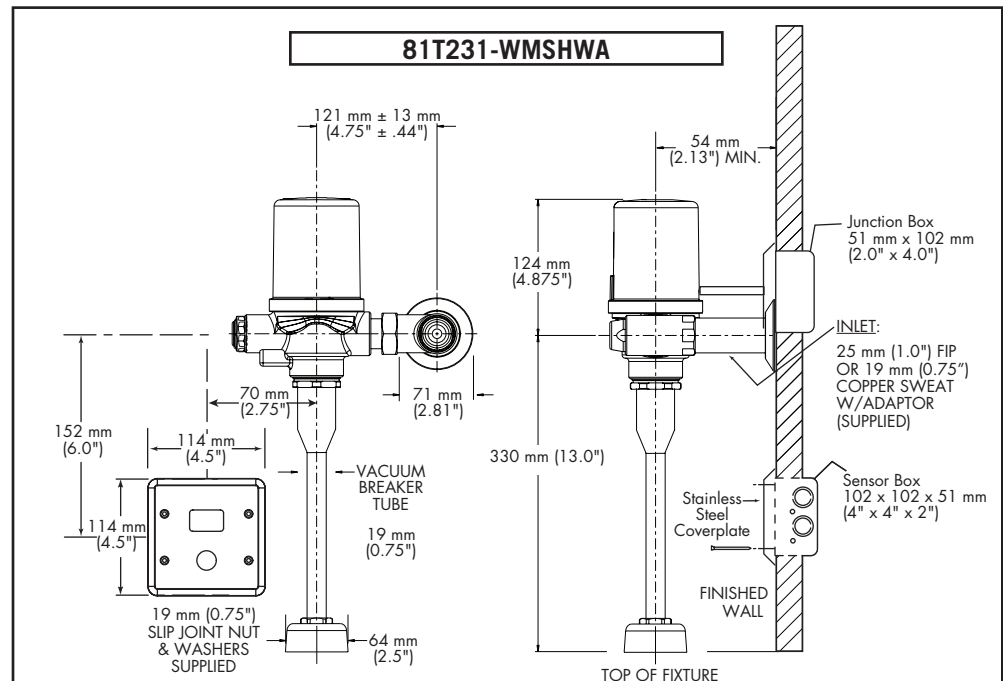
81T231-05-WMSHWA

 Same as 81T231-WMSHWA,
 but set to 0.5 litre (0.125 gal.),
Not Field Adjustable

AVAILABLE OPTIONS
FOR FIELD CONVERSION
 061047A
Hardwire with Battery Backup

See DSP-BB for detailed specification.

✓	TRANSFORMERS	
	060704A	110 to 24 VAC Class 2 20 VA (for up to 5 Electronic Valves)
	060771A	110 to 24 VAC Class 2 40 VA (for up to 10 Electronic Valves)



Note: For high and low pressure applications, please see page FEA-81T High Water Pressure note for more details.

Verify flow requirements with bowl manufacturer.

 Note: Measurements may vary ± 6 mm (0.25")

Refer to www.specselect.com for individual models.

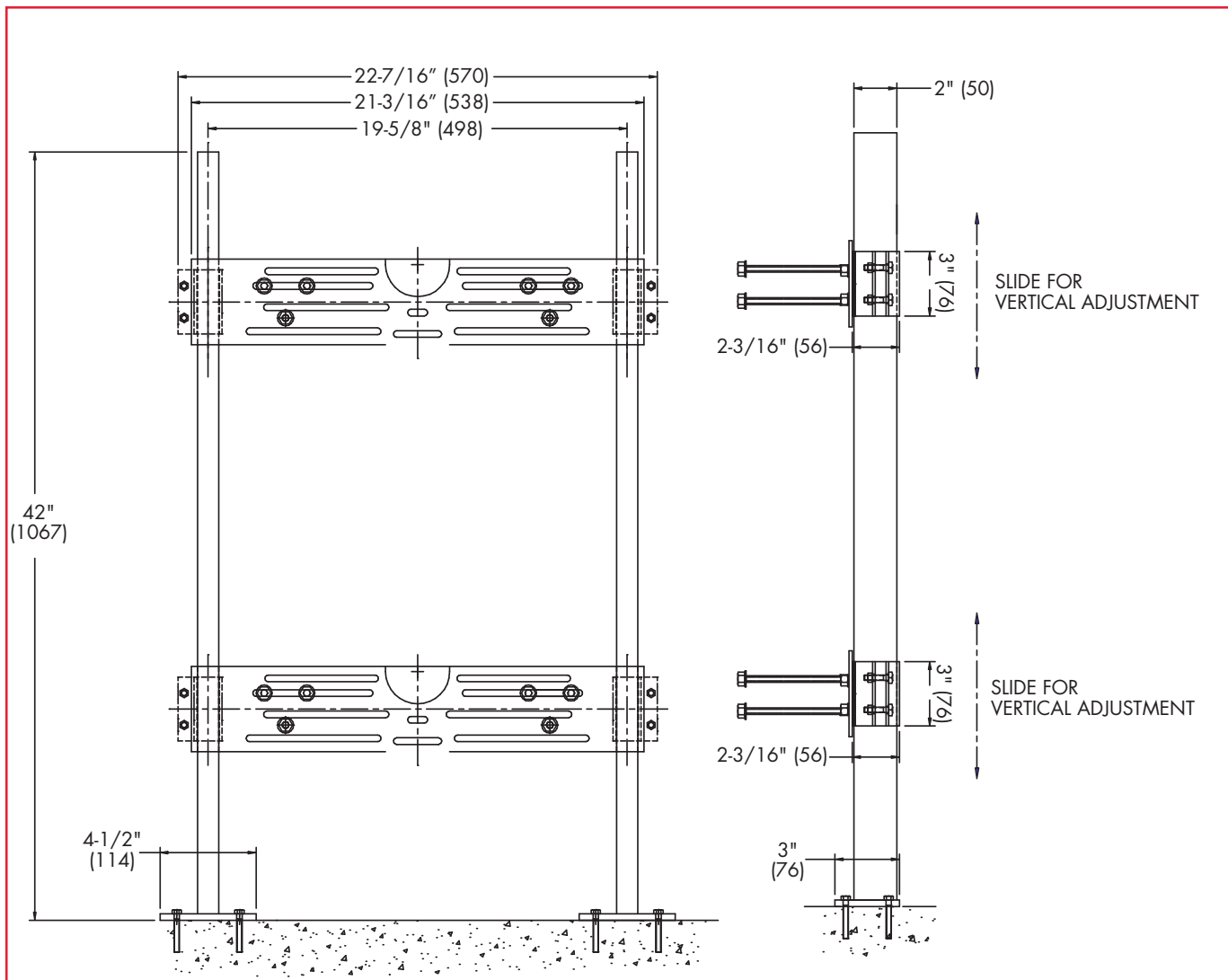
Note: Use this page as a product submittal sheet.



Tag: **CA-321**

Floor Mounted Urinal Carrier with Bearing Plate

SPECIFICATION: Watts Drainage CA-321 epoxy coated floor mounted urinal carrier with heavy guage steel offset uprights with welded feet, universal steel hangar support plate and bottom bearing plate with integral mounting brackets, and plated hardware.



Note: Anchor legs to concrete floor with minimum 1/2" (13) anchor bolts (by others).

Option	
Suffix	Description
-US	Buy American Compliant <input type="checkbox"/>

Job Name _____ Contractor _____

Job Location _____ Contractor's P.O. No. _____

Engineer _____ Representative _____

WATTS Drainage reserves the right to modify or change product design or construction without prior notice and without incurring any obligation to make similar changes and modifications to products previously or subsequently sold. See your WATTS Drainage representative for any clarification. Dimensions are subject to manufacturing tolerances.



Specification Drainage Products

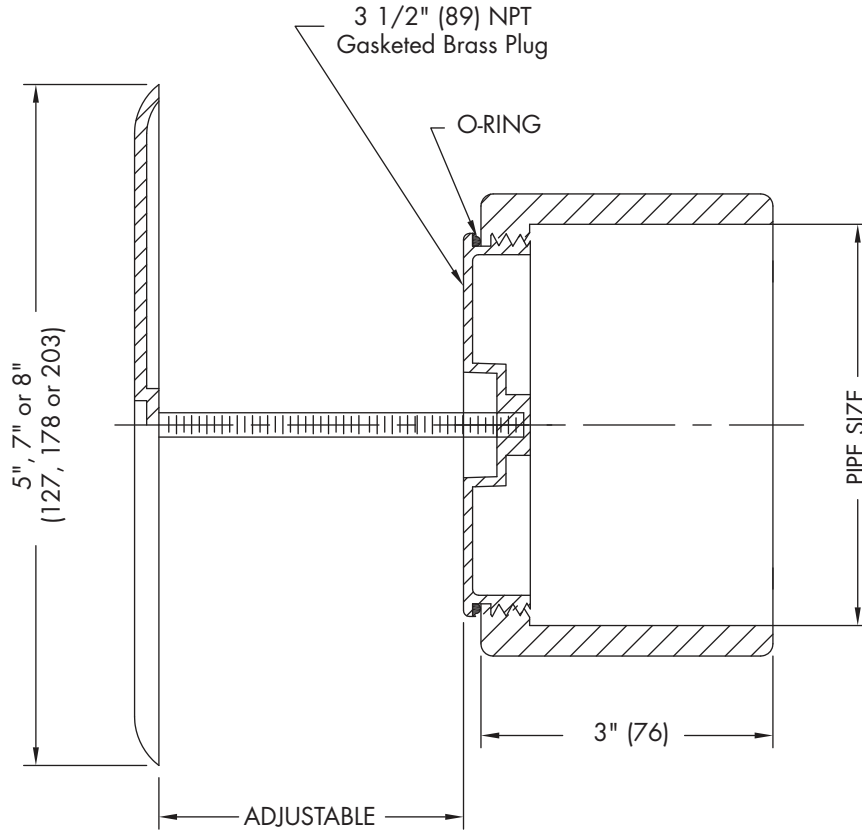
USA: 100 Watts Road, Spindale, NC, 28160-2298; TEL: 828-288-2179 TOLL-FREE: 1-800-338-2581 www.watts.com



CO-380-RD
Tag: _____

**Wall Cleanout with
Brass Plug and
Stainless Steel Cover**

SPECIFICATION: Watts Drainage CO-380-RD cast iron wall cleanout with gasketed brass countersunk plug, stainless steel access cover, vandal proof stainless steel screw, and no hub connection.



PIPE SIZE	COVER SIZE
2" (51)	5"(127)
3" (76)	7"(178)
4" (102)	7"(178)
6" (152)	8"(203)

Options (Select One or More)	
Suffix	Description
-US	Buy American Compliant <input type="checkbox"/>

Job Name _____ Contractor _____

Job Location _____ Contractor's P.O. No. _____

Engineer _____ Representative _____

WATTS Drainage reserves the right to modify or change product design or construction without prior notice and without incurring any obligation to make similar changes and modifications to products previously or subsequently sold. See your WATTS Drainage representative for any clarification. Dimensions are subject to manufacturing tolerances.



Specification Drainage Products

USA: 100 Watts Road, Spindale, NC, 28160-2298; TEL: 828-288-2179 TOLL-FREE: 1-800-338-2581 www.watts.com

DRAWING

WC-1 (BF)

CONSIST OF:

American Standard 215AA104.020

Centoco 820STSFE-001

McGuire LFBV172

American
Standard

 BARRIER FREE

CADET® PRO™ RIGHT HEIGHT® ELONGATED TOILET

VITREOUS CHINA

CADET® PRO™ RIGHT HEIGHT® ELONGATED TOILET

□ 215AA.104

- Features the **Cadet® Flushing System**
- Vitreous china
- High Efficiency Toilet (HET), ultra-low consumption (4.8 Lpf/1.28 gpf), utilizes 20% less water
- Meets EPA WaterSense® criteria
- Trade exclusive tank
- PowerWash® rim scrubs bowl with each flush
- Robust metal trip lever & metal shank fill valve
- Includes EZ-Install Tools w/color match bowl caps
- EverClean® surface included
- 3" flush valve
- Fully-glazed 2-1/8" trapway
- 16-1/2" rim height for accessible applications
- 12" (305mm) rough-in
- Generous 9" x 8" water surface area
- Chrome finish trip lever is supplied
- 1,000g MaP Score** at 1.28 gpf
- 5 year warranty



- 215AA.105 Same as above except with trip lever on right side
- 3517A.101 Right Height® Elongated Bowl
- 4188A.104 Tank

Nominal Dimensions:

767 x 441 x 771mm (30-1/8" x 17-3/8" x 30-3/8")

Fixture only, seat and supply sold separately

Alternative Tank Configurations Available:

- 4188A.154 Tank complete with Aquaguard Liner
- 4188A.155 Tank complete with Aquaguard Liner and trip lever located on right side
- 4188A.164 Tank complete with tank cover locking device
- 4188A.174 Tank complete with Aquaguard Liner and tank cover locking device
- 4188A.105 Tank complete with trip lever located on right side
- 4188A.165 Tank complete with tank cover locking device and trip lever located on right side

Compliance Certifications -

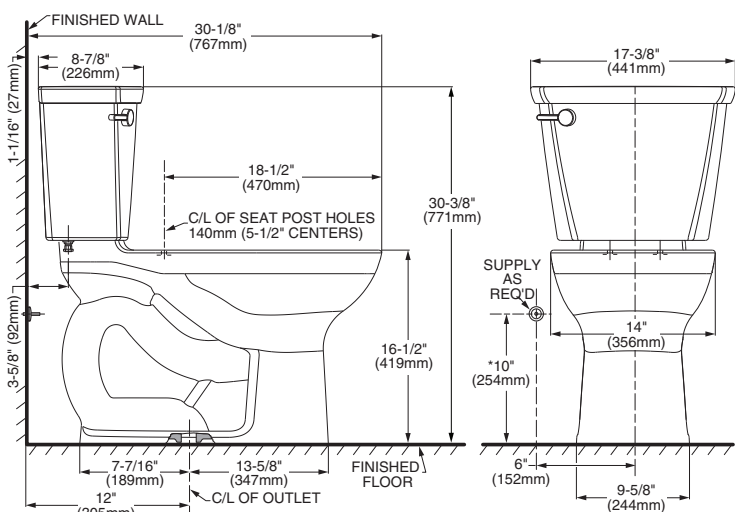
Meets or Exceeds the Following Specifications:

- ASME A112.19.2-2008/CSA B45.1-08 for Vitreous China Fixtures
- US EPA WaterSense® Specification for HETs

** Maximum Performance (MaP) testing performed by IAPMO R&T Lab. MaP Report conducted by Veritec Consulting, Inc. and Koeller and Company.

To Be Specified:

- Color: □ White □ Bone □ Linen □ Black
- Seat: #5321.110 EverClean® Elongated Seat with Slow Close Snap-Off Hinges
- Supply with stop:



NOTES:

THIS TOILET IS DESIGNED TO ROUGH-IN AT A MINIMUM DIMENSION OF 305MM (12") FROM FINISHED WALL TO C/L OF OUTLET. SUPPLY NOT INCLUDED WITH FIXTURE AND MUST BE ORDERED SEPARATELY. * DIMENSION SHOWN FOR LOCATION OF SUPPLY IS SUGGESTED.

IMPORTANT: Dimensions of fixtures are nominal and may vary within the range of tolerances established by ANSI Standard A112.19.2. These measurements are subject to change or cancellation. No responsibility is assumed for use of superseded or voided pages.



MEETS THE AMERICANS WITH DISABILITIES ACT GUIDELINES AND ANSI A117.1 REQUIREMENTS FOR ACCESSIBLE AND USABLE BUILDING FACILITIES-CHECK LOCAL CODES.



Cadet® PRO™

COMMERCIAL HEAVY DUTY

Product Specifications

Shape	Elongated
Seat Material	Polypropylene
Seat Form	Open front
Commercial Hinge	Yes
Bolt Material	Stainless steel
Hardware Material	FAST-N-LOCK
Check Hinge	Yes
Cover	Yes
Custom Gasket	No
Color	White

Warranty	1 year limited warranty
-----------------	-------------------------

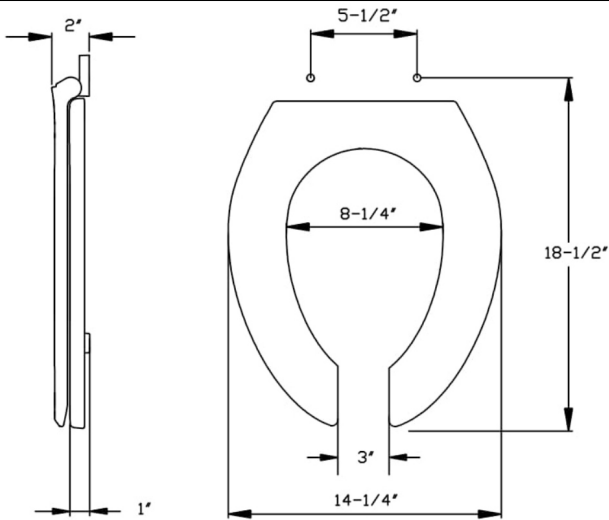
Available Colors	White,
-------------------------	--------


Features
FAST-N-LOCK

Centoco's new patented FAST-N-LOCK Mounting System takes the guessing out when tightening the hardware. The specially designed fasteners "click" when the appropriate torque is reached. This feature largely reduces the chance of getting call backs from customers for seats that have become loose over time.

Commercial Hinge

Includes commercial grade hinges. One piece solid metal hinge pin and bolt over molded with plastic.



Dimensions shown are nominal and may vary within a range of tolerance. Product specifications are subject to change without notice.



McGuire Manufacturing Co., Inc.

60 Grandview Court
 Cheshire, Connecticut 06410
 (203) 699-1801 Fax (203) 699-1813
 customerservice@mcguiremfg.com mcguiremfg.com

WC-1 (BF)

PRODUCT SPECIFICATION

Part No.

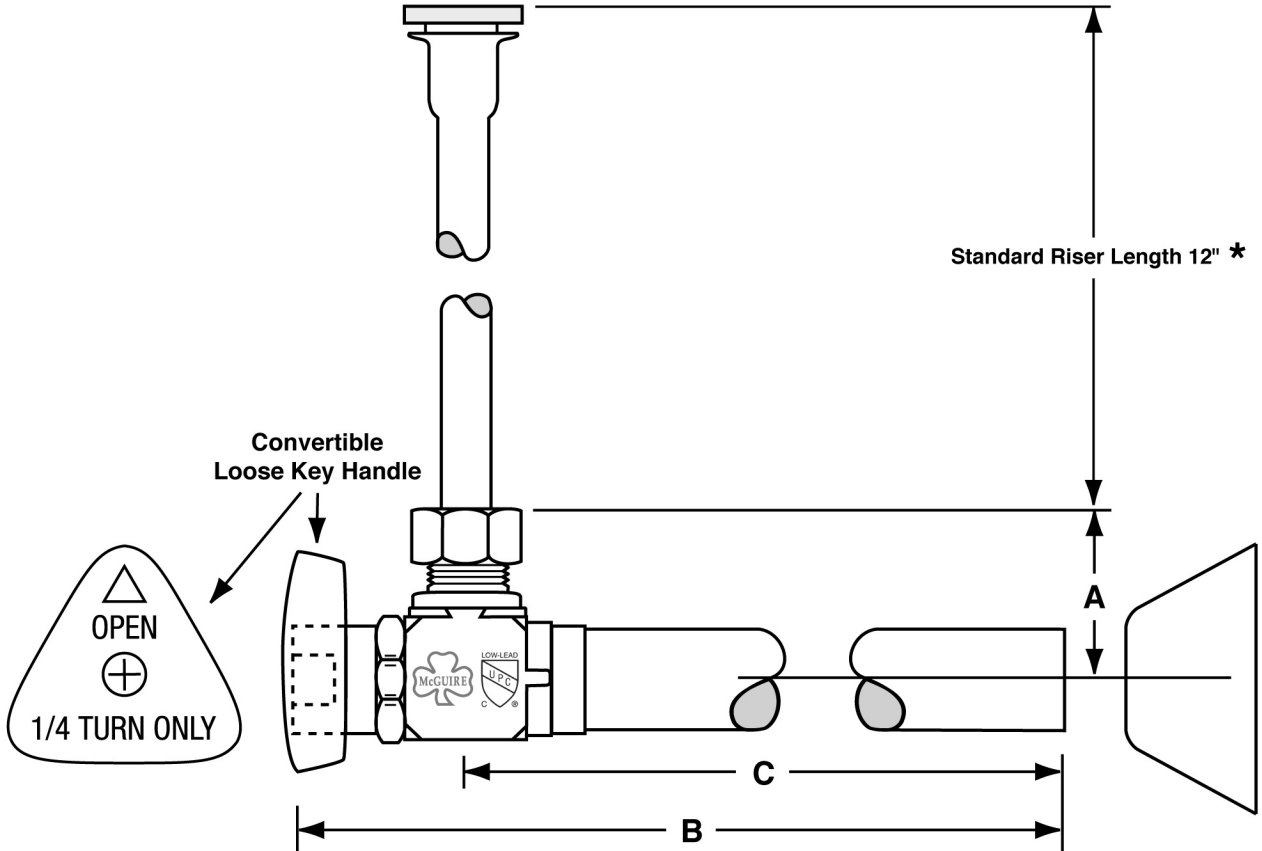
LFBV172

**Quarter-Turn Brass
 Ball Valve Closet Supply
 with 5" Extension**

Job Name:

Submittal Number:

Convertible™



NO.	DESCRIPTION	ROUGHING MEASUREMENTS		
		A	B	C
LFBV172	1/2" Sweat with 5" Ext. x 3/8" O.D.	1-3/16"	6-3/4"	5-1/2"



* See options and accessories section for details on product variations.

Specifications:

Supply kits shall include lead free chrome plated, commercial pattern Quarter-Turn Brass Ball Valve with convertible loose key handle, (chrome plated copper or braided stainless risers) and (shallow, deep, bell) (steel or brass) or (forged brass with set screw) flange. Inlet shall be (1/2) inch (IPS, sweat, compression). Outlet shall be (3/8) inch (compression). Supply kit shall be McGuire _____ . Supply kit shall be certified by recognized authority and bear manufacturer and testing mark.

228275



WARNING:

This product can expose you to chemicals including lead, which is known to the State of California to cause cancer, and birth defects or other reproductive harm. For more information go to www.P65Warnings.ca.gov.

DRAWING

MLV-1

CONSIST OF:

Acorn 3803-1-9-MXTP-EG-MC-PTP

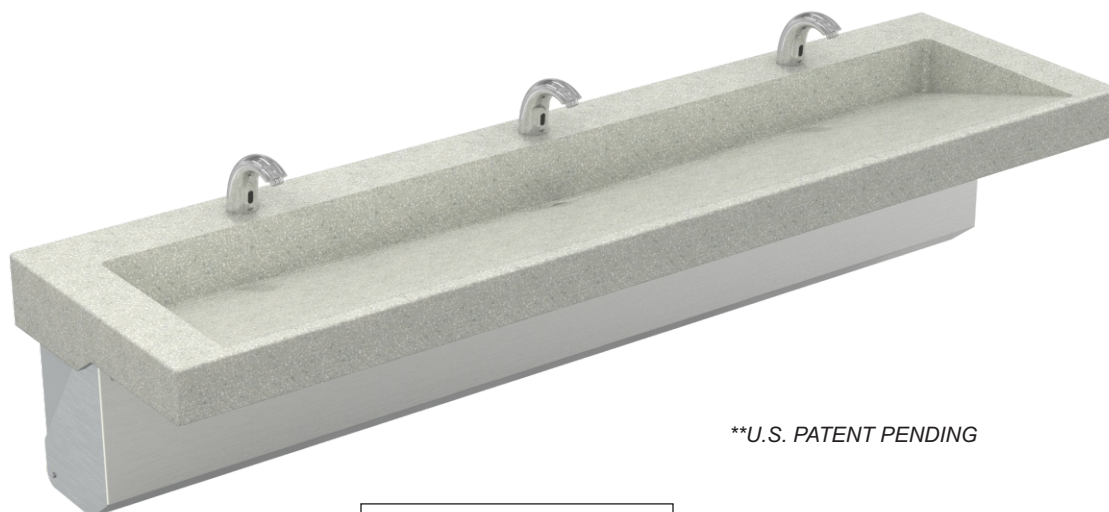
Delta Commercial 590TF015-060704A

Delta Commercial 47P2312SD



Meridian-Edge® 3803 Series

Meridian-Edge® Corterra® Tri-Basin - ADA/OBC Compliant



**U.S. PATENT PENDING

3803-SO

Fixture May Show Some Available Options

Please visit www.acorneng.com for most current specifications.

Meridian-Edge® Corterra® Tri-Basin - ADA/OBC Compliant

Meridian® Corterra® Tri-Basin is intended to be mounted to a finished wall. Washbasin is constructed of Corterra® solid surface polymer resin and combine the look of granite and the feel of commercial-grade designer Basins. Adequate wall backing is required to support this wall mount, off-floor Washbasin fixture. When mounted 33" at finished floor, fixture would comply with OBC requirements. When mounted 34" at finished floor, fixture would comply with ANSI, UFAS and ADA requirements. Alternatively, the unit may be mounted at the height to comply with ADA requirements for children. Compliance is subject to the interpretation and requirements of the local code authority.

Hinged P-Trap Enclosure is included to allow easy maintenance and to conceal hot & cold Mixing Valve, Supply and Waste connections. Enclosure is fabricated of 18 gage, type 304 stainless steel with a satin finish engineered to provide a profile that complies with both ADA & OBC.

Mounting Bracket is included and fabricated of 11 gage galvanized steel with rear anchoring slots. Adequate wall backing is required.

Counter with Integral Basin is constructed of Corterra® solid surface polymer resin.

Optional Sensor Operation is available, which includes Infrared Spout, 0.5 GPM Flow Control, and a plug-in Transformer; for optional battery powered Sensor, a Battery Box is provided.

Optional Dyson Airblade™ Wash + Dry Faucets are available, which includes Infrared Spout and Air Dryer, 0.5 GPM Flow Control, under counter Motor Bucket, lead-free stainless steel with a brushed finish.

Optional Valves are available; ASSE 1070 compliant valve delivers constant water flow by compensating for temperature and pressure fluctuations. Valve is factory set to 105° Fahrenheit and includes Integral Checks and Strainer to prevent cross-flow and contamination. Maximum Operating Pressure 125 PSI. A Single Temperature Air-Control Metering Valve assembly and is offered as an alternative to the standard hot and cold Mixing Valve when a single water supply is desired.

Unit Certification complies with IAPMO IGC 156, CSA B45 Series, ASME A112.18.1/CSA B125.1

Material Certification of material construction is Flame Spread and Smoke Developed rated "Class A" per the following standards: ASTM E84-10, UL723, ANSI/NFPA No. 255 and UBC No. 8-1. Material also complies with Canadian requirements: CAN/ULC-S102 for Flame Spread and Smoke Developed. Material of constructions physical properties in compliance with CSA B45.5/IAPMO Z124 and ANSI/ICPA SS-1.

GUIDE SPECIFICATION

Meridian-Edge® Corterra® Three-Station Washbasin by Acorn (Specify options). Unit will conform with ANSI, UFAS, OBC and ADA Accessibility Standards when properly installed. Counter and integral Basin to be constructed of Corterra® solid surface polymer resin. Hinged Trap Enclosure is to be constructed of heavy gage, type 304 stainless steel with satin finish.



Meridian® 3803: Meridian-Edge® Corterra® Tri-Basin - ADA/OBC Compliant

BASE MODEL NUMBER (Must Specify)

3803 Meridian-Edge® Corterra® Tri-Basin

FIXTURE MOUNTING & WASTE (Must Specify)

-1 Off-Floor, Wall Outlet

OPERATION (Must Specify)

- 9 Less Spout and Valve
(Must Specify Punching if Required)
 - H1 Single Hole, On Center
 - H34 4" Centerset, Three Holes
- H Hand Operation with Deck Mounted Spout & Pushbutton
- SO Sensor Operation with Deck Mounted Spout
- SO-BAT Sensor Operation, Battery Powered with Deck Mounted Spout (Batteries Not Included)
- WD04 Dyson Airblade™ Wash + Dry (Deck Mounted Short Faucet)

VALVE (Must Specify)

- MXTP ASSE 1070 Tempering Valve
- ST Single Temperature Valve

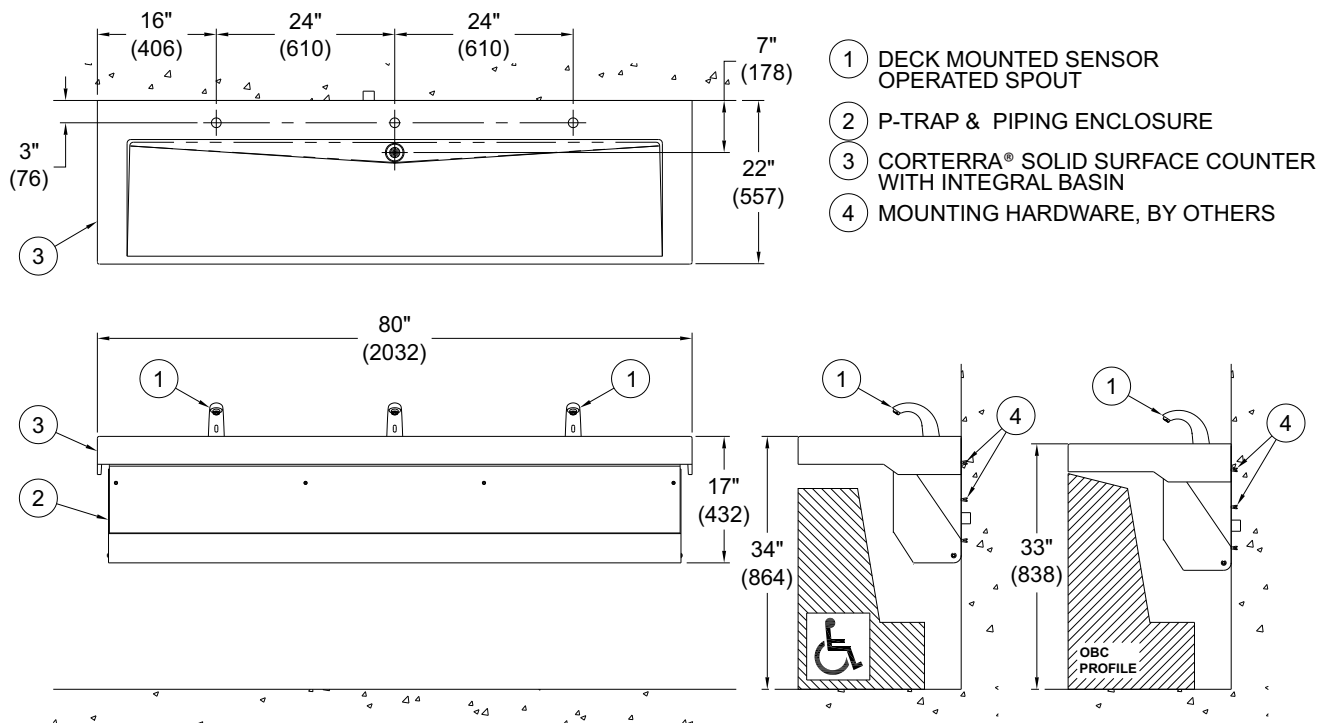
CORTERRA® COLOR OPTIONS (Must Specify)

Color: _____
(Refer to <https://www.acorneng.com/corterra-solid-surface> for available colors)

PRODUCT OPTIONS

- EG Enviro-Glaze® (Enclosure), Color: _____
(Refer to www.acorneng.com for available colors)
(Keyword Search: Enviro-Glaze®)
- MC Mounting Carriers
- PDM Metering Liquid Soap Dispenser
- PT P-Trap Waste (Must Specify Type)
 - Plastic P-Trap
 - Brass P-Trap
- SOS Sensor Operated Liquid Soap Dispenser
- SOS-BAT Sensor Operated, Battery Powered Liquid Soap Dispenser (Batteries Not Included)

Please visit www.acorneng.com for most current specifications.



WARNING: Cancer and Reproductive Harm - www.P65Warnings.ca.gov

<p>Important: Installation instructions and current rough-in are furnished with each fixture. Do not rough in without certified dimensions. Dimensions are subject to manufacturer's tolerance of plus or minus 1/4" and change without notice. Acorn assumes no responsibility for use of void or superseded data. © Copyright 2009 Acorn Engineering Company</p>	
<p>Selection Summary</p> <p>Model No. & Option _____</p> <p>Quantity _____</p>	<p>Approved for Manufacturing</p> <p>Company _____ Title _____</p> <p>Signature _____ Date _____</p>

TECK®**590TF Series****Electronic Faucet with Surface Mount Control****COMMERCIAL****SPECIFICATION:** (Example - 590TF0120)

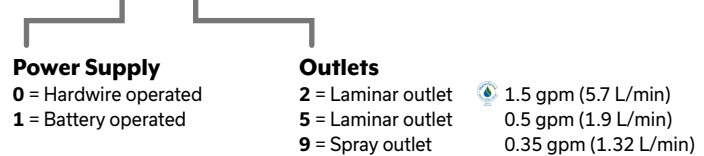
- Supplied as complete product
- **H₂Optics®** Technology – no external adjustments required
- Chrome-plated one piece **CAST** deckmount hi-rise spout with integral sensor
- Metal hold-down package
- **Hardwire Operated** (24 VAC) infrared electronic handwash system
- Laminar outlet - 1.5 gpm (5.7 L/min)
- Adjustable sensing range and timeout
- Surface mount housing
- Mixing valve required (order separately)
- Serviceable filter screen upstream of the valve



AVAILABLE CONFIGURATIONS:

- **Battery Operated** (4 "C" cell) – supplied as complete
- **Hardwire Operated** (24 VAC) – supplied as complete
- **Outlets**
 - Laminar outlet - 1.5 gpm (5.7 L/min)
 - Laminar outlet - 0.5 gpm (1.9 L/min)
 - Spray outlet - 0.35 gpm (1.32 L/min)

**MODEL NUMBER EXAMPLE:**

Configurations vary, see below for availability.

590TF0120

Available Models		Power Supply			
		0 = Hardwire Operated		1 = Battery Operated	
		Deckmount Hi-Rise Spout		Deckmount Hi-Rise Spout	
Outlet	2 Laminar outlet 1.5 gpm (5.7 L/min)	590TF0120		590TF1120	
	5 Laminar outlet 0.5 gpm (1.9 L/min)	590TF0150		590TF1150	
	9 Spray outlet 0.35 gpm (1.32 L/min)	590TF0190		590TF1190	

Engineer/Architect Approval

Model Specified:

Approval:

Date:

Watersense® is a registered trademark of the U.S. Environmental Protection Agency

Delta Faucet reserves the right (1) to make changes in specifications and materials, and (2) to change or discontinue models, both without notice or obligation. Dimensions are for reference only. See current full-line price book or www.specselect.com for finish options and product availability.

Flow Rates are at 60 PSI.

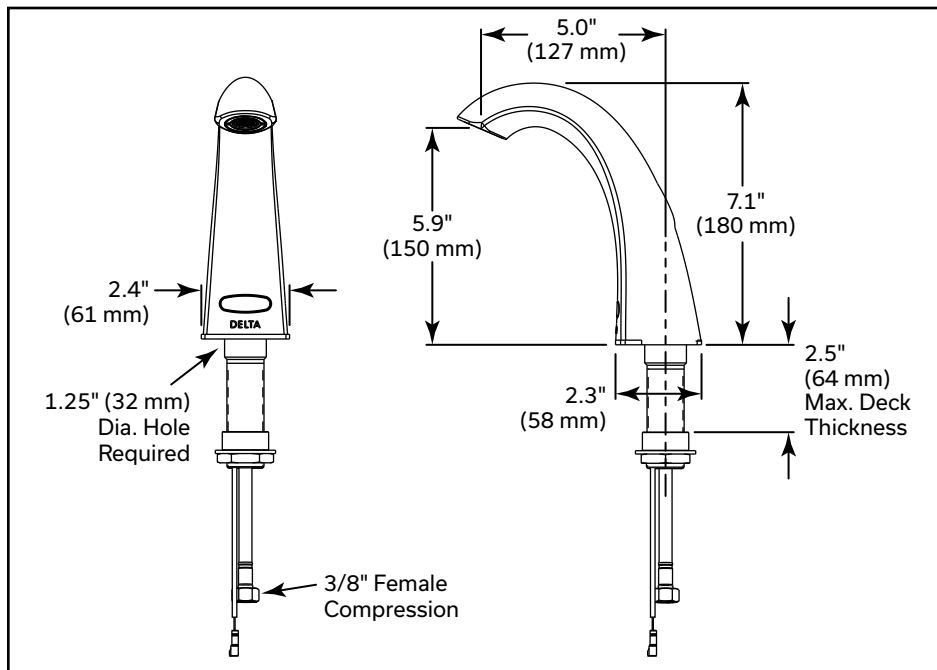
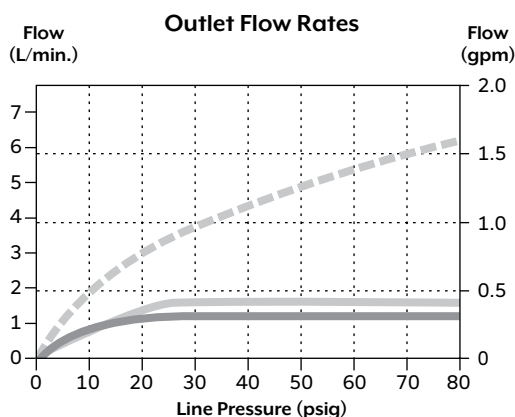
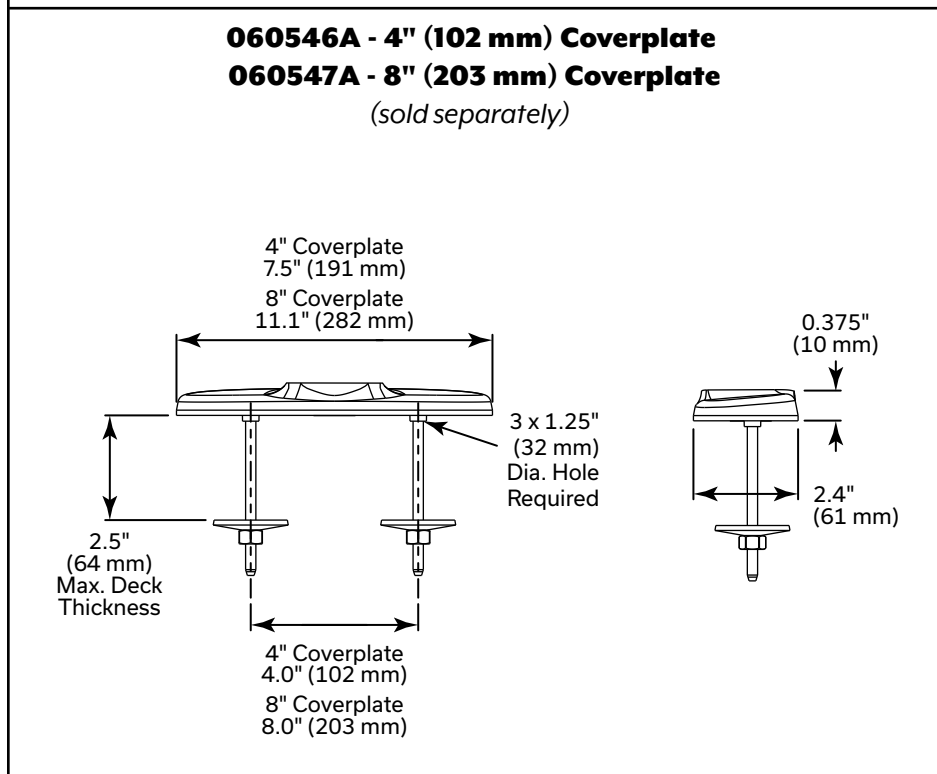
NOTICE Use all pages as product submittal sheets.**DSP-590TF0120, Rev A**

TECK®**590TF Series****Electronic Faucet with Surface Mount Control****COMMERCIAL****APPROVALS:**

- Complies to ASME A112.18.1/CSA B125.1
- Indicates compliance to ICC / ANSI A117.1
- Outlet options 2 is EPA WaterSense® listed
- Verified compliant with 0.25% weighted average Pb content regulations

AVAILABLE OPTIONS FOR FIELD CONVERSION (Sold Separately)

- 060546A - 4" (102 mm) Coverplate**
Includes anti-rotation pin for secure public lavatory installation.
- 060547A - 8" (203 mm) Coverplate**
Includes anti-rotation pin for secure public lavatory installation.
- 063268A - Battery backup assembly for surface mount box** (Batteries included)
See DSP-BBBox for detailed specification.
- 063266A - Plug-in power supply**
- 061406A - Plug-In with Battery Backup**
- 060704A - 120 to 24 VAC - Class 2 - 20 VA**
(Up to 5 Electronic Valves)
- 060771A - 120 to 24 VAC - Class 2 - 40 VA**
(Up to 10 Electronic Valves)
- 061256A - 36" (914 mm) Sensor Cable Extension**
- 063272A - Ganging cable**
- 062032A - Polymer Braided Hose**
- 060651A - 3 Position Switch**
See DSP-ELACC for detailed specification.

**060546A - 4" (102 mm) Coverplate****060547A - 8" (203 mm) Coverplate***(sold separately)***Spout Outlets**

- No. 2 Laminar Outlet
- No. 5 Laminar Outlet
- No. 9 Spray Outlet

NOTICE Measurements may vary $\pm 0.25"$ (6mm)

Watersense® is a registered trademark of the U.S. Environmental Protection Agency

Delta Faucet reserves the right (1) to make changes in specifications and materials, and (2) to change or discontinue models, both without notice or obligation. Dimensions are for reference only. See current full-line price book or www.specselect.com for finish options and product availability.

Flow Rates are at 60 PSI.

NOTICE Use all pages as product submittal sheets.**DSP-590TF C0, Rev A**

TECK®

590TF Series

Electronic Faucet with Surface Mount Control



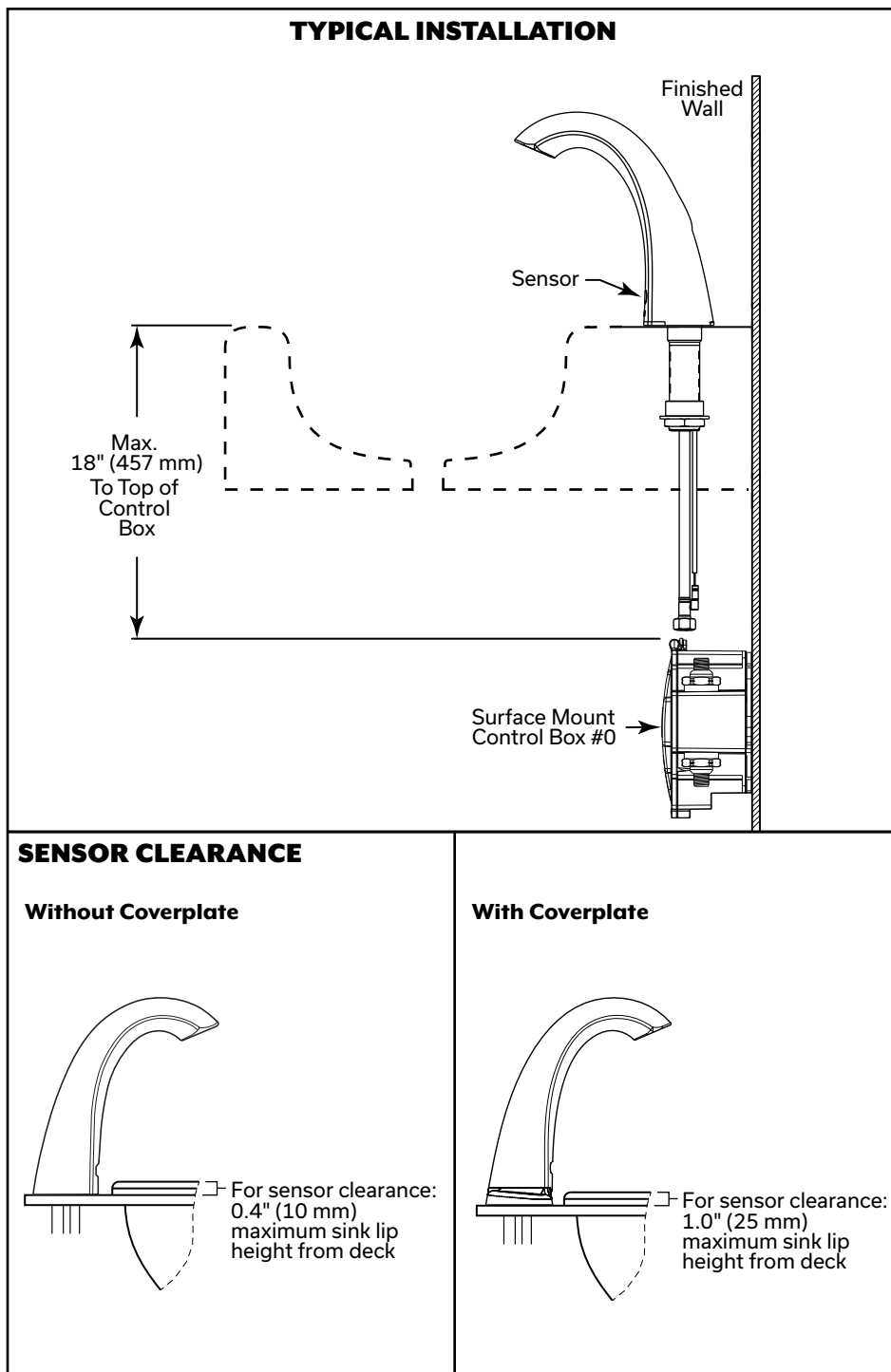
COMMERCIAL

OPERATION:

- Hands free (touchless) operation.
- Water flows when sensor is activated.
- Water flow stops upon de-activation of sensor.
- Adjustable auto shut-off feature. Factory set to 45 seconds. Will reset once obstruction is removed.
- Adjustable sensing distance 3" to 15" (76 to 381mm) factory set to 9" \pm 3.0" (229 mm \pm 76 mm)
- Low battery audible beep (for battery models only) will activate after faucet shuts off when approximately 1500 cycles remain.
- Metering mode with selectable flow times of 7 seconds to 4 minutes, factory set off.
- Periodic Rinse feature, time adjustable in 6 hour increments up to 2 days. Selectable rinsing lengths from 10 to 180 seconds. Factory set off.

NOTICE

- **#1** - For optimum performance of this product, we recommend a system pressure between 20 and 80 Psi (138 and 552 kPa) static. This product will operate up to a maximum of 125 Psi (862 kPa) static per ANSI and CSA requirements. However, we do not recommend pressures above 80 Psi (552 kPa). Thermal expansion or leaking pressure reducing valves may require use of expansion tanks or relief valves to ensure your system never exceeds its maximum intended pressure setting.
- **#2** - Designed for routine 171°F (77°C) disinfection cycles up to 30 minutes.



TECK®

590TF Series

Electronic Faucet with Surface Mount Control



COMMERCIAL

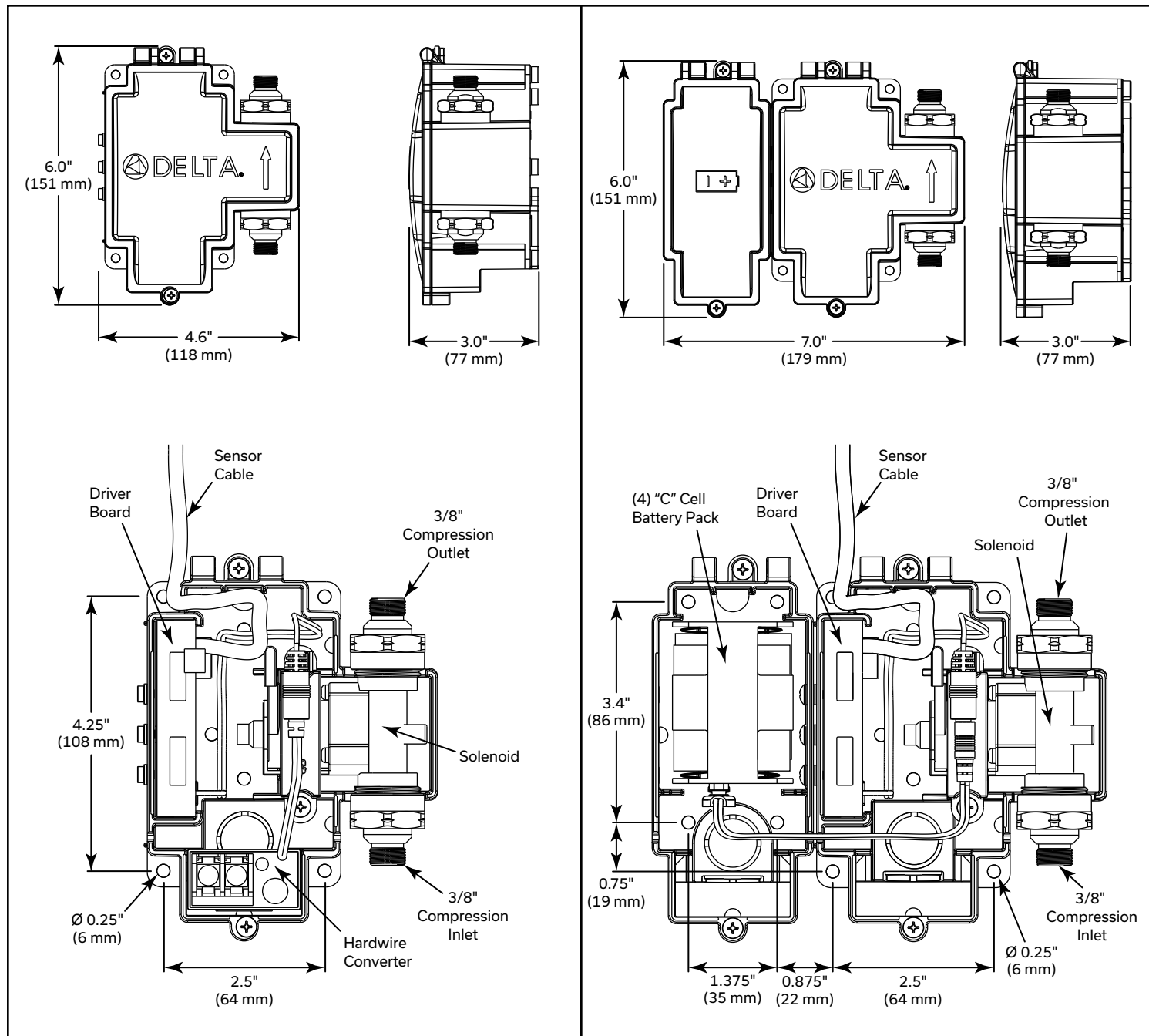
SURFACE MOUNT CONTROL CONFIGURATIONS

Hardwire Operated

- Supplied as complete product
- **H₂Optics®** Technology – no external adjustments required
- **Hardwire Operated** (24 VAC) infrared electronic handwash system
- Watertight Connector
- Hardwire Converter 24 VAC to 6.4 VDC.
- Surface mount housing
- Serviceable filter screen upstream of the valve
- Mixing valve required (order separately)

Battery Operated

- Supplied as complete product
- **H₂Optics®** Technology – no external adjustments required
- **Battery Operated** (4 "C" cell) infrared electronic handwash system
- Watertight Connector
- Surface mount housing
- Serviceable filter screen upstream of the valve
- Mixing valve required (order separately)



Watersense® is a registered trademark of the U.S. Environmental Protection Agency

Flow Rates are at 60 PSI.

NOTICE Use all pages as product submittal sheets.

Delta Faucet reserves the right (1) to make changes in specifications and materials, and (2) to change or discontinue models, both without notice or obligation. Dimensions are for reference only. See current full-line price book or www.specselect.com for finish options and product availability.

DSP-590TFB0, Rev A



Drainage/Supplies

Pair of heavy pattern angle lavatory supplies

Model No: 47P2312SD

COMPLIES WITH:

- CSA certified.
- Complies to ASME A112.18.1/CSA B125.1
- (Contact Delta Representative for State and/or Local Approvals)



SPECIFICATION:

- Pair of heavy pattern angle lavatory supplies
- Stuffing box cartridge
- Chrome plated finish
- Stainless steel wall flanges
- Pair of heavy pattern angle lavatory supplies

OPERATION:

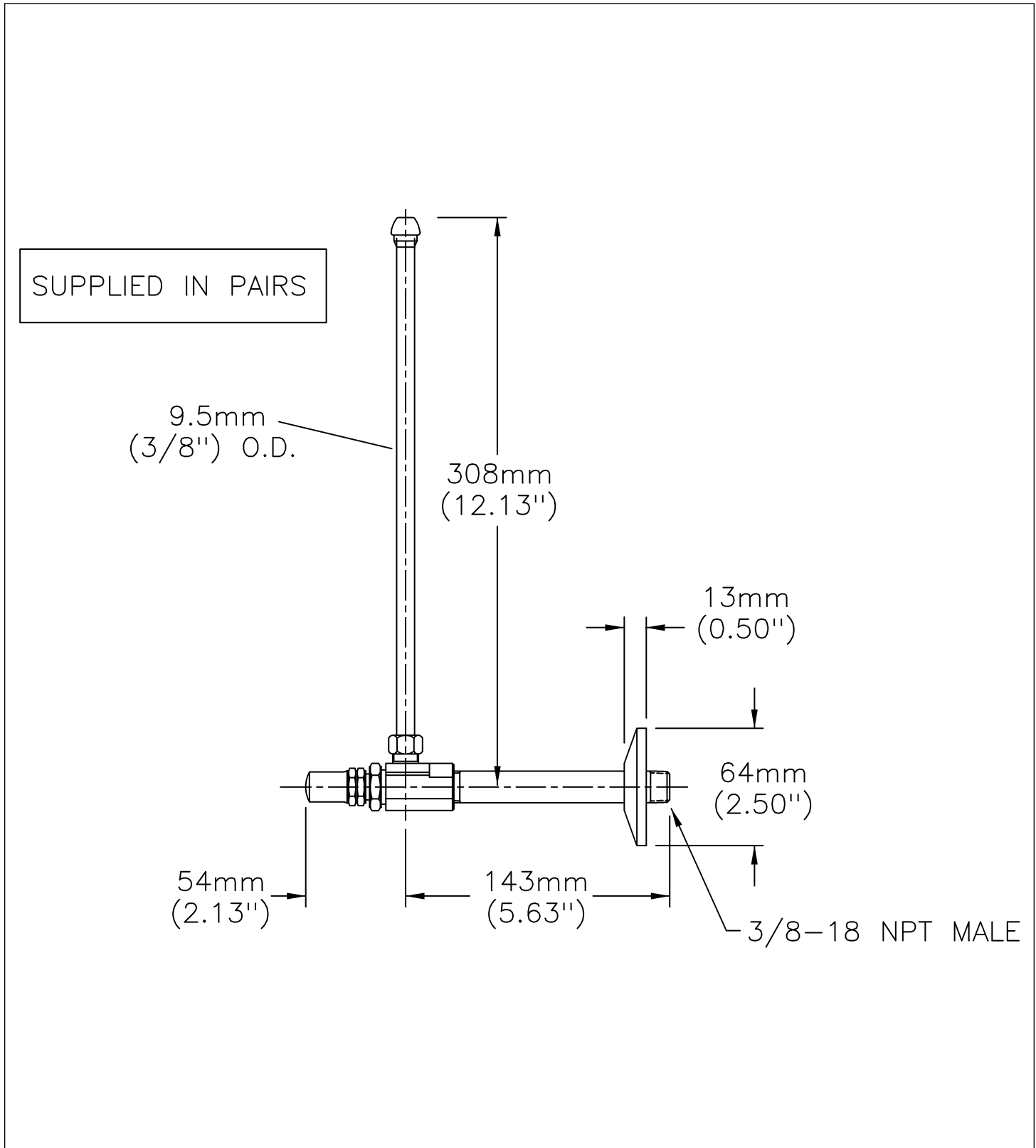
- Not Available

(Dimensional drawing on following page)

Delta reserves the right (1) to make changes to specifications and materials, and (2) to change or discontinue models, both without notice or obligation. Dimensions are for reference. Measurement may vary plus or minus 6mm(0.25"). Mounting locations are suggested only. Check with local codes for requirements in your area. This spec was produced April 13, 2021.

Delta Faucet Company - 55 East 111th St. - Indianapolis, Indiana, USA 46280 - (317) 848-1812
Delta Faucet Canada - 395 Matheson Blvd E - Mississauga, Ontario, Canada L4Z 2H2 - (905) 712-3030

Model No: 47P2312SD



Delta reserves the right (1) to make changes to specifications and materials, and (2) to change or discontinue models, both without notice or obligation. Dimensions are for reference. Measurement may vary plus or minus 6mm(0.25"). Mounting locations are suggested only. Check with local codes for requirements in your area. This spec was produced April 13, 2021.

Delta Faucet Company - 55 East 111th St. - Indianapolis, Indiana, USA 46280 - (317) 848-1812
Delta Faucet Canada - 395 Matheson Blvd E - Mississauga, Ontario, Canada L4Z 2H2 - (905) 712-3030

DRAWING

SK-1

CONSIST OF:

Franke Commercial LBS6808P-1-3

Delta Commercial 47P2312SD

McGuire 8912CB

SK-1



Specifications

DESCRIPTION

- Brass construction with chrome plated finish
- 1/2" IPS connections
- 8" centers
- Vandal resistant torx head screws

OPERATION

- Wrist blade style handles with hot and cold color indicators


FLOW

- Water usage is limited to these maximum flow rates as indicated by the corresponding product markings
 - ° 1.5 gpm max (5.7L/min) at 60 psi

CARTRIDGE

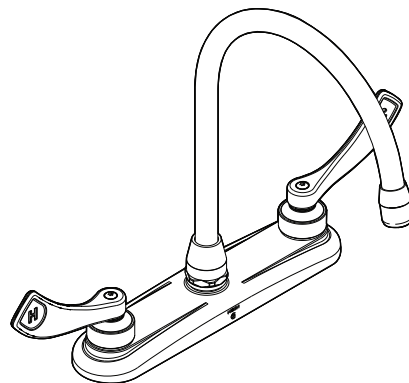
- Brass shell, ceramic disc cartridge
- 1/4 turn operation

STANDARDS

- Third party certified to ASME A112.18.1/CSA B125.1 and all applicable specifications referenced therein
- Certified to NSF 61/9 & 372
- Complies with California Proposition 65 and with the Federal Safe Drinking Water Act
- **ADA**  for lever handles

WARRANTY

- Warranted for 5 years against material or manufacturing defects

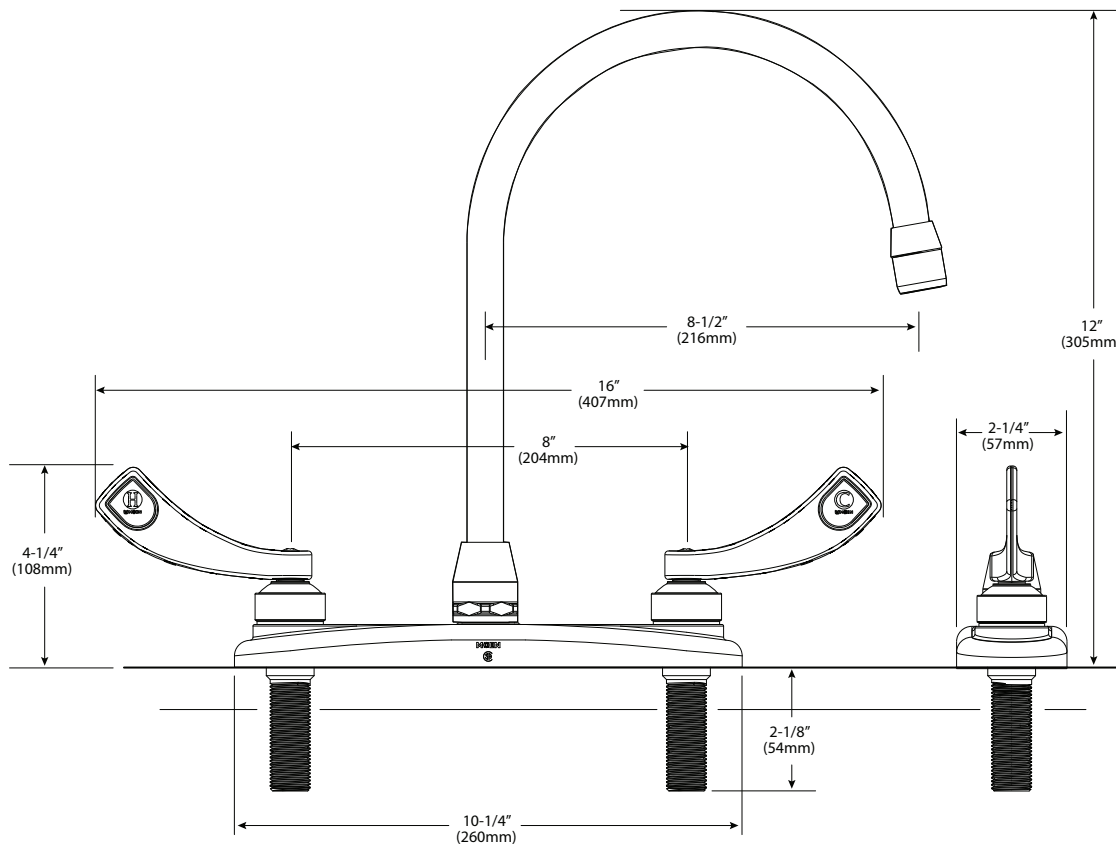


Two-Handle Kitchen Faucet

Model: 8289



NOTE: Designed to be installed through 2 or 3 holes - 1" min. dia. and on 8" on center



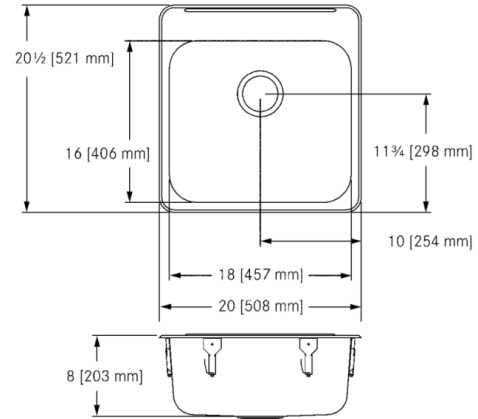
CRITICAL DIMENSIONS

(DO NOT SCALE)

LBS6808P-1 Single, with ledge, 18 gauge

MODEL RANGE: COMMERCIAL SINKS | LBS6808P-1

Commercial sinks | Topmount sinks



Single compartment self rimming topmount sink with faucet ledge. 18 gauge (1.2 mm), type 304 (CNS 18/10) stainless steel. Exposed surfaces are #4 satin finished. Undercoated to reduce condensation and resonance. Includes waste fitting, factory applied rim seal, cutout template, and factory installed EZ TORQUE™ fasteners. Certified to ASME A112.19.3-2008 / CSA B45.4-08.

Centre back waste location. Includes 3 1/2" (89 mm) crumb cup strainer with 1 1/2" (DN38) brass tailpiece.

Model Options:

LBS6808P-1/1, 1 faucet hole, 1 1/2" diameter

LBS6808P-1/3, 3 faucet holes, 1 1/2" diameter, 4" centres, 8" centres

LBS6808P-1, Custom (non-returnable)

20 1/2 x 20" Overall. 16 x 18 x 8" Bowl. (FB x LR x D).

521 x 508 mm Overall. 406 x 457 x 203 mm Bowl. (FB x LR x D).

Technical data

Bowl height	8 inch
Bowl depth	16 "
Bowl width	18 "
Overall depth	20 1/2 "
Overall width	20 "
Material	Stainless steel
Material code	1.4301 Chrome Nickel steel V2A
Tailor made	No
Tap ledge	Yes
Waste hole position	Center back
Bowl finish	Satin finish
Number of bowls	1.00000
Overflow	No
Number of tap holes	0.00000
Type of waste kit	3 1/2" crump cup strainer
Type of basin	Single compartment

PROJECT INFORMATION

Item Location	
Project Number	
Quote Number	
Notes	

ENGINEER'S APPROVAL



Drainage/Supplies

Pair of heavy pattern angle lavatory supplies

Model No: 47P2312SD

COMPLIES WITH:

- CSA certified.
- Complies to ASME A112.18.1/CSA B125.1
- (Contact Delta Representative for State and/or Local Approvals)



SPECIFICATION:

- Pair of heavy pattern angle lavatory supplies
- Stuffing box cartridge
- Chrome plated finish
- Stainless steel wall flanges
- Pair of heavy pattern angle lavatory supplies

OPERATION:

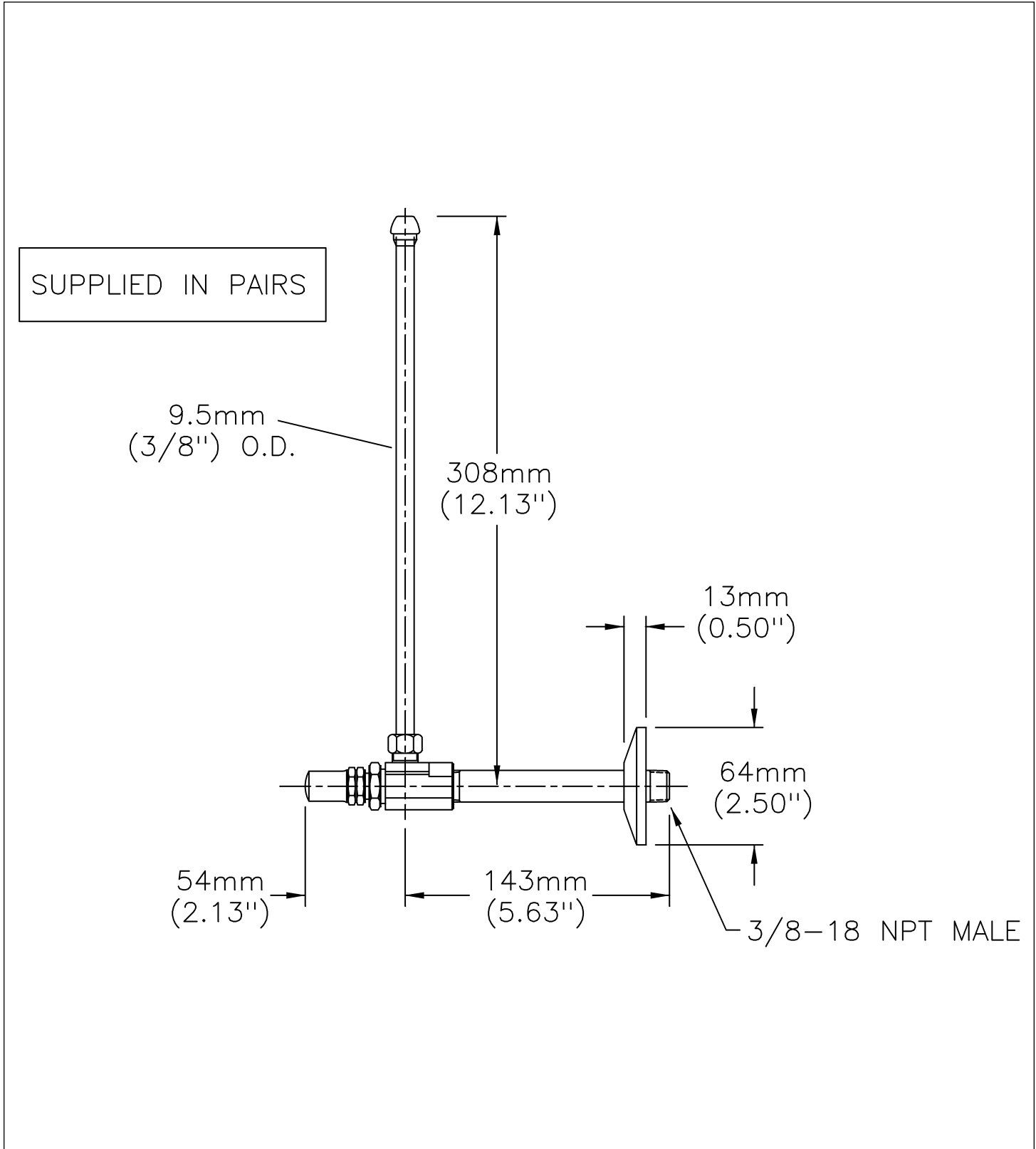
- Not Available

(Dimensional drawing on following page)

Delta reserves the right (1) to make changes to specifications and materials, and (2) to change or discontinue models, both without notice or obligation. Dimensions are for reference. Measurement may vary plus or minus 6mm(0.25"). Mounting locations are suggested only. Check with local codes for requirements in your area. This spec was produced April 13, 2021.

Delta Faucet Company - 55 East 111th St. - Indianapolis, Indiana, USA 46280 - (317) 848-1812
Delta Faucet Canada - 395 Matheson Blvd E - Mississauga, Ontario, Canada L4Z 2H2 - (905) 712-3030

Model No: 47P2312SD



Delta reserves the right (1) to make changes to specifications and materials, and (2) to change or discontinue models, both without notice or obligation. Dimensions are for reference. Measurement may vary plus or minus 6mm(0.25"). Mounting locations are suggested only. Check with local codes for requirements in your area. This spec was produced April 13, 2021.

Delta Faucet Company - 55 East 111th St. - Indianapolis, Indiana, USA 46280 - (317) 848-1812
Delta Faucet Canada - 395 Matheson Blvd E - Mississauga, Ontario, Canada L4Z 2H2 - (905) 712-3030



McGuire Manufacturing Co., Inc.

60 Grandview Court
 Cheshire, Connecticut 06411
 (203) 699-1801 Fax (203) 699-1813
 customerservice@mcguiremfg.com mcguiremfg.com

PRODUCT SPECIFICATION

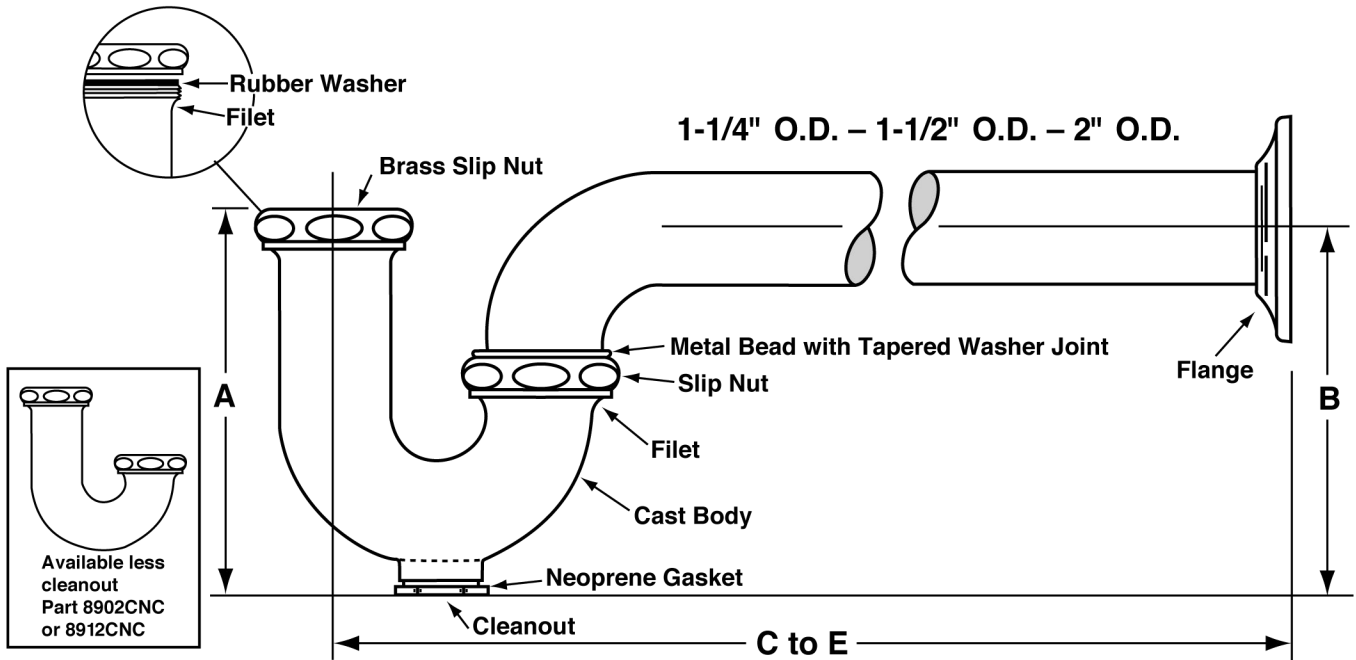
Part No.

8872C, 8902C, 8902CNC, 8912C,
 8912CNC, 8903C, 8904C

Cast Body P-Trap With or Without Cleanout

Job Name:

Submittal Number:



PROFESSIONAL LINE

ROUGHING MEASUREMENTS

NO.	TRAP DIMENSIONS		A	B	C to E
	INLET	OUTLET			
8872C	1-1/4"	1-1/4"	4-1/2"	4-1/4"	11-1/2"
8902C	1-1/4"	1-1/2"	5"	5-1/2"	11-1/2"
8902CNC	1-1/4"	1-1/2"	4-5/8"	4-3/4"	11-1/2"
8912C	1-1/2"	1-1/2"	5"	5-1/2"	11-1/2"
8912CNC	1-1/2"	1-1/2"	4-5/8"	4-1/8"	11-1/2"
8903C	1-1/2"	2"	5"	6"	13-3/4"
8904C	2"	2"	5"	6"	13-3/4"

FED SPEC W.W.P. 541
CAST BRASS P TRAP
MINIMUM SEAL 2"



See options and accessories section for details on product variations.

ASME A112.18.2/CSA B125-2

Specifications:

P-Trap shall be chrome plated cast brass body (with, without) cleanout, with 17 gauge seamless tubular wall bend, cast brass slip nuts. Reducing washers shall be used with reducing cast brass nut. With (shallow, deep, bell) (steel, brass) or (forged brass with set screw) flange.

P-Trap shall be McGuire "Classic" Professional Line

Trap shall be certified by CSA or other recognized testing authority. Trap shall bear manufacturer and testing marks.

! WARNING:

This product can expose you to chemicals including lead, which is known to the State of California to cause cancer, and birth defects or other reproductive harm. For more information go to www.P65Warnings.ca.gov.

228275

DRAWING

WC-2

CONSIST OF:

American Standard 3461001.020

Centoco 500STSCCFE-001

Delta Commercial 81T201-48-WMSHWA

*American
Standard*

Madera™ FloWise® 16-1/2" Height Elongated Flushometer Toilet

VITREOUS CHINA with EVERCLEAN®

 BARRIER FREE

Madera™ FloWise® 16-1/2" Height Elongated with EverClean®

- Floor mount flushometer valve toilet
- Vitreous china
- High Efficiency, Low Consumption. Operates in the range of 1.1 gpf to 1.6 gpf (4.2 Lpf to 6.0 Lpf)
- Meets definition of HET (High Efficiency Toilet) when used with a high efficiency flush valve (1.28 gpf or 1.6 / 1.1 gpf dual flush)
- Permanent EverClean® surface inhibits the growth of stain and odor-causing bacteria, mold, and mildew on the surface
- Fully glazed 2-1/8" trapway
- Elongated bowl
- 10" or 12" roughing-in
- 16-1/2" rim height for accessible application
- Condensation channel
- Powerful direct-fed siphon jet action
- 10" x 12" water surface area
- 1-1/2" inlet spud
- 2 bolt caps

- 3461.001** Elongated bowl only, top spud
- 3462.001** Elongated bowl only, top spud with slotted rim for bedpan holding
- 3465.001** Elongated bowl only, top spud with 4 bolts
- 3466.001** Elongated bowl only, top spud with slotted rim for bedpan holding with 4 bolts
- 3463.001** Elongated bowl only, back spud
- 3464.001** Elongated bowl only, back spud with slotted rim for bedpan holding

System MaP* Score:

- 1,000 grams of miso @ 1.1 gpf, 1.28 gpf or 1.6 gpf when used with an American Standard flush valve

* Maximum Performance (MaP) testing performed by IAPMO R&T Lab. MaP Report conducted by Veritec Consulting, Inc. and Koeller and Company.

Component Parts:

- 047007-0070A** Inlet Spud (furnished with bowl)
- 481310-100** Bolt caps with retainers (furnished with bowl)

Nominal Dimensions:

718 x 356 x 419mm
(28-1/4" x 14" x 16-1/2")

Fixture only, less seat and flush valve

Recommended working pressure—between 25 psi at valve when flushing and 80 psi static

Compliance Certifications -

Meets or Exceeds the Following Specifications:

- ASME A112.19.2 / CSA B45.1 for Vitreous China Fixtures



MEETS THE AMERICANS WITH DISABILITIES ACT GUIDELINES AND ANSI A117.1 REQUIREMENTS FOR ACCESSIBLE AND USABLE BUILDING FACILITIES - CHECK LOCAL CODES.



SEE REVERSE FOR ROUGHING-IN DIMENSIONS

To Be Specified:

- Color: White
- Seat:
 - American Standard #5901.100 Heavy duty open front less cover
 - American Standard #5905.100 Extra heavy duty open front less cover
- Flushometer Valve:
 - 1.6 gpf:
 - Sensor-Operated: American Standard Selectronic® DC Power #6065.161.002 (Top Spud)
 - Sensor-Operated: American Standard Selectronic® AC Power #6067.261.002 (Back Spud)
 - Manual: American Standard #6047.161.002 (Top Spud)
 - 1.28 gpf:
 - Sensor-Operated: American Standard Selectronic® DC Power #6065.121.002 (Top Spud)
 - Sensor-Operated: American Standard Selectronic® AC Power #6067.221.002 (Back Spud)
 - Manual: American Standard #6047.121.002 (Top Spud)
 - 1.6 / 1.1 gpf Dual Flush:
 - Sensor-Operated: American Standard Selectronic® DC Power #6065.761.002 (Top Spud)



ENVIRONMENTAL
PRODUCT
DECLARATION



When used with
1.1 or 1.28 gpf
toilet flush valves



ADA
COMPLIANT



EVERCLEAN



WATER
EFFICIENT

M111

© 2018 AS America Inc.
spec_3461.001 Madera FW 16.5Height-EL-Flushometer 11/18

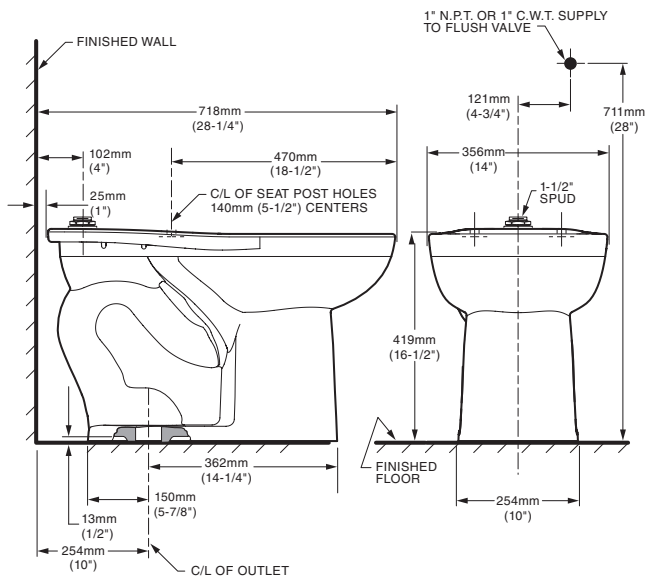
American
Standard

Madera™ FloWise® 16-1/2" Height Elongated Flushometer Toilet

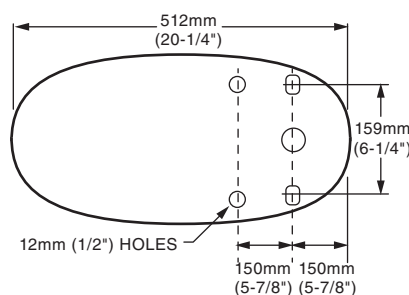
VITREOUS CHINA with EVERCLEAN®

 BARRIER FREE

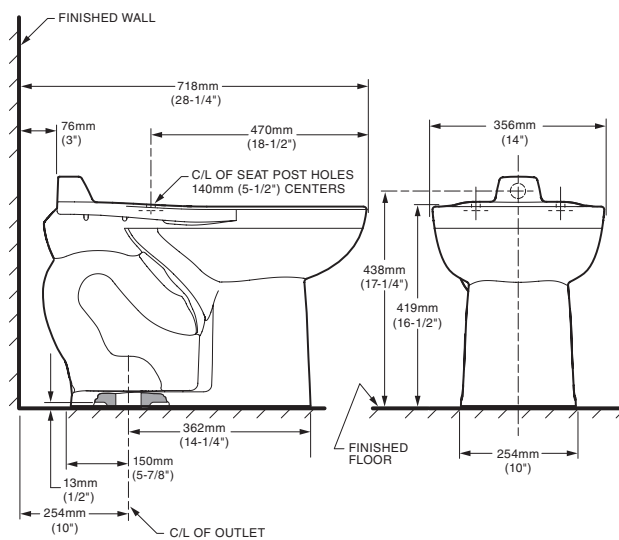
3461.001/3462.001



3465.001/3466.001
4-BOLT ANCHOR DETAIL
(Bottom View of Bowl)



3463.001/3464.001



NOTES:

PRODUCT 3461 AND 3463 SHOWN, 3462 AND 3464 SAME EXCEPT WITH SLOTTED RIM FOR BED PAN HOLDING.
TO COMPLY WITH AREA CODE GOVERNING THE HEIGHT OF VACUUM BREAKER ON THE FLUSHOMETER VALVE, THE PLUMBER MUST VERIFY DIMENSIONS SHOWN FOR SUPPLY ROUGHING.
THIS TOILET DESIGNED TO ROUGH-IN AT A MINIMUM DIMENSION OF 254MM (10") AND A MAXIMUM DIMENSION OF 305MM (12") FROM FINISHED WALL TO C/L OF OUTLET.
FLUSHOMETER VALVE NOT INCLUDED WITH FIXTURE AND MUST BE ORDERED SEPARATELY. FLUSHOMETER VALVE REQUIREMENTS FOR 12" (305MM) ROUGH-IN: SWEAT EXTENSION NIPPLE IS REQUIRED. REFER TO VALVE MANUFACTURER AND LOCAL CODES.

IMPORTANT: Dimensions of fixtures are nominal and may vary within the range of tolerances established by ANSI Standard A112.19.2. These measurements are subject to change or cancellation. No responsibility is assumed for use of superseded or voided pages.

PART OF LIXIL

M112

© 2018 AS America Inc.
spec_3461.001 Madera FW 16.5Height-EL-Flushometer 11/18

COMMERCIAL HEAVY DUTY

Product Specifications

Shape	Elongated
Seat Material	Polypropylene
Seat Form	Open front
Commercial Hinge	Yes
Bolt Material	Stainless steel
Hardware Material	FAST-N-LOCK
Check Hinge	Yes
Cover	No
Custom Gasket	No
Color	White

Warranty	1 year limited warranty
-----------------	-------------------------

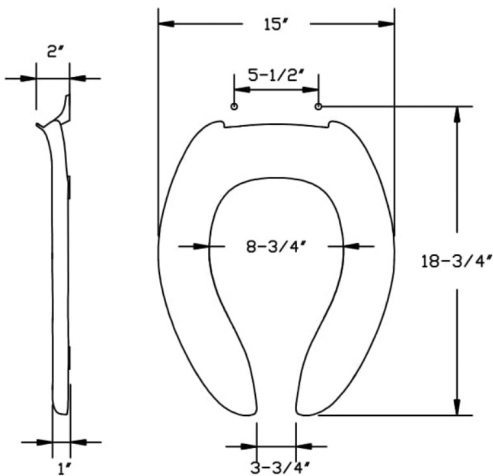
Available Colors	White,
-------------------------	--------

Features
FAST-N-LOCK

Centoco's new patented FAST-N-LOCK Mounting System takes the guessing out when tightening the hardware. The specially designed fasteners "click" when the appropriate torque is reached. This feature largely reduces the chance of getting call backs from customers for seats that have become loose over time.

Commercial Hinge

Includes commercial grade hinges. One piece solid metal hinge pin and bolt over molded with plastic.



Dimensions shown are nominal and may vary within a range of tolerance. Product specifications are subject to change without notice.




Electronic Flush Valves & Retrofit Kits

Exposed Hardwire Operated 1-1/2" Top Inlet Closet Fixture

Model No: 81T201-48-WMSHWA

COMPLIES WITH:

- IAPMO listed to ASSE 1037/ ASME A112.1037/ CSA B125.37
-  Indicates compliance to ICC / ANSI A117.1
- Patented
- EPA WaterSense Listed
- (Contact Delta Representative for State and/or Local Approvals)



SPECIFICATION:

- Polished chrome plated vandal resistant metal cover with 4" wallmount sensor
- Right or left-hand supply installation
- ADA compliant, automatic operation hardwire powered H2Optics® technology infrared sensor
- Infrared sensor range adjustment of 610 mm - 1422 mm (24" - 56"), in 8" increments, factory set at 1,016 mm (40") [(± 50.8 mm (2")
- Hardwire adaptor
- Vandal resistant copper tube conduit
- 24 VAC input
- Electronic override button
- (110 to 24 VAC Transformer not included. See selection below for additional part number.)
- Quiet action, Teck® exposed diaphragm flush valve
- Chloramine resistant diaphragm
- Brass diaphragm retainer
- Renewable seat
- Polished chrome plated body.
- 1" FIP/Copper sweat inlet adaptor, angle check stop with protecting cap
- Adjustable 121mm (4-3/4") plus or minus 11mm (7/16") inlet/valve outlet centers
- Vacuum breaker
- Cover tube, stainless steel wall flange, spud flange, concealed spud nut, and 292 mm (11-1/2") outlet tube
- Factory Set to 4.8L (1.27 Gal.) - NOT FIELD ADJUSTABLE

OPERATION:

- Recommended water supply:
Minimum flowing pressure – 25 psi (172 kPa)
Minimum flow rate – 25 gpm (95 L/min)

(Dimensional drawing on following page)

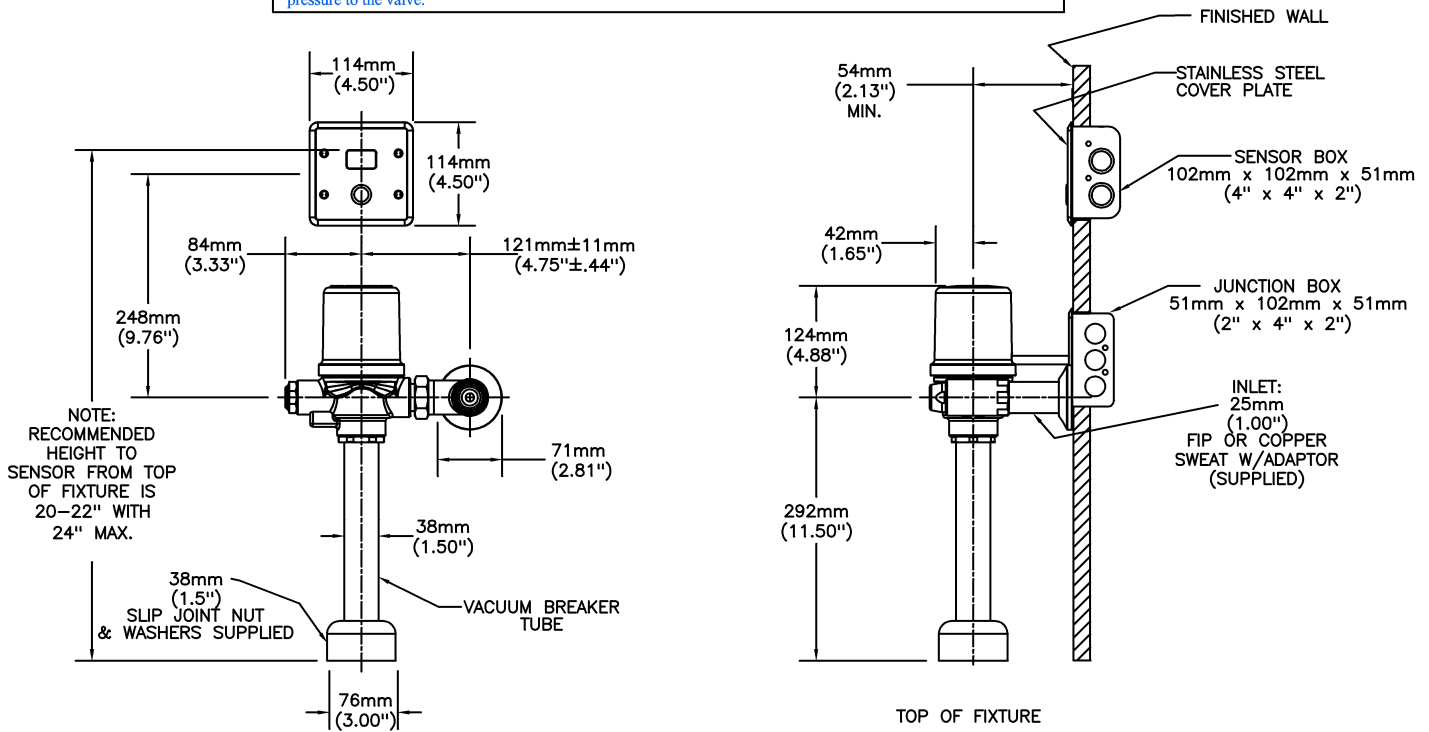
Delta reserves the right (1) to make changes to specifications and materials, and (2) to change or discontinue models, both without notice or obligation. Dimensions are for reference. Measurement may vary plus or minus 6mm(0.25"). Mounting locations are suggested only. Check with local codes for requirements in your area. This spec was produced April 27, 2021.

Delta Faucet Company - 55 East 111th St. - Indianapolis, Indiana, USA 46280 - (317) 848-1812
Delta Faucet Canada - 395 Matheson Blvd E - Mississauga, Ontario, Canada L4Z 2H2 - (905) 712-3030



Model No: 81T201-48-WMSHWA

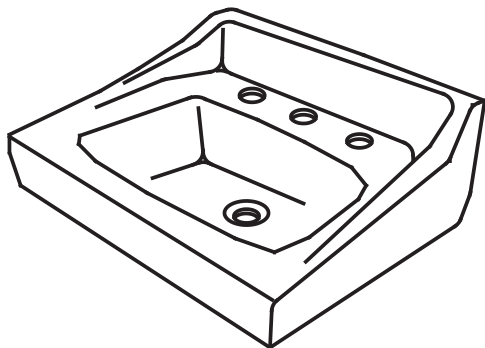
Teck® flushometer valves are designed to operate at any supply pressure between 20 psi and 125 psi in accordance with ASSE 1037/ASME A112.1037/ CSA B125.37. The Teck® flush valve delivers the industry's highest peak flows to enhance bowl scrubbing. At high water pressures, splash out, noise or reduced life of plumbing components may be observed with a few models of water closet or urinal fixtures. To minimize or eliminate these effects, select a different model of water closet or urinal from the same or another manufacturer, or install a pressure reducing valve. If the installation does not allow for either of these options, the control stop adjusting screw may be used to reduce pressure to the valve.



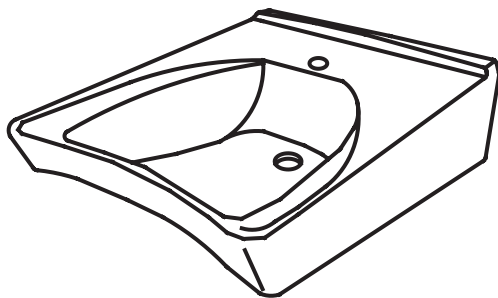
Delta reserves the right (1) to make changes to specifications and materials, and (2) to change or discontinue models, both without notice or obligation. Dimensions are for reference. Measurement may vary plus or minus 6mm(0.25"). Mounting locations are suggested only. Check with local codes for requirements in your area. This spec was produced April 27, 2021.

Delta Faucet Company - 55 East 111th St. - Indianapolis, Indiana, USA 46280 - (317) 848-1812
 Delta Faucet Canada - 395 Matheson Blvd E - Mississauga, Ontario, Canada L4Z 2H2 - (905) 712-3030

Wall Mounted Lavatory



LT307/.4.8



LT308/.4/.11

Warranty Registration and Inquiry

For product warranty registration, TOTO U.S.A. Inc. recommends online warranty registration. Please visit our web site <http://www.totousa.com>. If you have questions regarding warranty policy or coverage, please contact TOTO U.S.A. Inc., Customer Service Department, 1155 Southern Road, Morrow, GA 30260 (888) 295-8134 or (678) 466-1300 when calling from outside of U.S.A.

TABLE OF CONTENTS

Thanks for Choosing TOTO®!	2
Warnings.....	2
Before Installation.....	2
Installation Procedure	3
After Installation	3
Warranty	4

THANKS FOR CHOOSING TOTO!

The mission of TOTO is to provide the world with healthy, hygienic and more comfortable lifestyles. We design every product with the balance of form and function as a guiding principle. Congratulations on your choice.

WARNINGS



When this symbol appears in the manual, be aware that potential misoperations may cause personal injury and/or property damage.

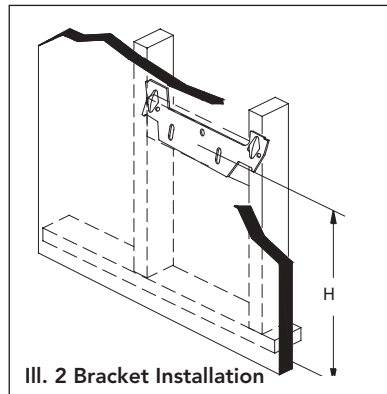
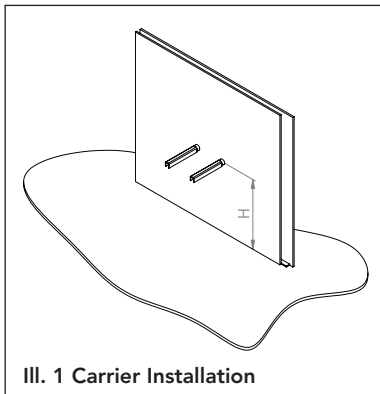
BEFORE INSTALLATION

- The floor must be level and the wall must be square with the floor for best results.
- Use the recommended wall carrier listed on the Spec Sheet. Install it per manufacturer's instructions and local codes.

For installation with carrier (required for LT308), install the carrier arms at the appropriate height. To determine arm height, (H), use the hole to rim distance as shown on the Spec Sheet.

For installation with bracket (optional for LT307 only), provide proper reinforcement, such as a brace, between the studs of the wall to securely mount the bracket and to support the lavatory.

1. Position the mounting bracket at the appropriate height, H (see Ill. 2) for installation. Use a pencil to mark the center of the slotted holes on the bracket.
2. Drill pilot holes for the wood screws (mounting screws not provided) at the marked locations.
3. Secure the mounting bracket to the wall using the bottom slots only.



INSTALLATION PROCEDURE



DO NOT OVERTIGHTEN HARDWARE. Overtightening hardware may damage the products and cause personal injury and/or property damage.

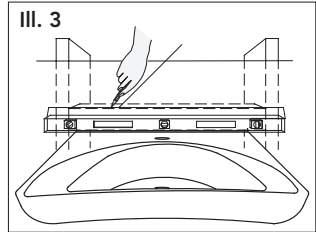
Installation using carrier

1. Install the faucets and drain (not supplied) per the manufacturer's instructions.
2. Slide lavatory over carrier arms.
3. Use the screws on the underside front and back holes to level the lavatory.
4. Use the underside center holes to lock the lavatory in place.

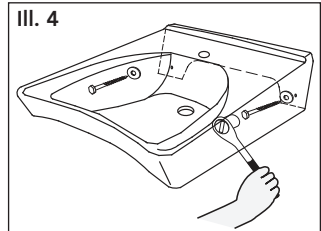
Installation using bracket (LT307 only)

1. Place the lavatory on the bracket. Brace it adequately so that the lavatory cannot tip over.
2. Verify that the lavatory is level and at the correct height (see Ill. 3). Mark the location of the mounting holes.

NOTE: To help recall the lavatory position, trace a line along the sides and top edge of the lavatory with a pencil.



3. Remove the lavatory from the bracket.
4. Drill the remaining holes for the mounting bracket and install the four remaining screws.
5. Install the faucets and drain (not supplied) per the manufacturer's instructions.
6. Return the lavatory into position.
7. Install the lavatory mounting hardware (see Ill. 4).



A. Place a metal washer onto the screw. Do not secure the screw at this time.

B. Place the remaining metal washer onto the screw and insert the screw through a mounting hole in the lavatory.

C. Verify the lavatory is level with the mark along the top and sides of the lavatory and secure the lavatory to the wall by tightening screws.

AFTER INSTALLATION

1. Connect the water supply to the faucet according to the faucet instructions.
2. Connect and tighten the p-trap to the drain.
3. Turn on the water supplies to the faucet.
4. Purge air from the hot and cold water by running the water for a few seconds.
5. Fill the lavatory with water.
6. Check for any leaks at the water supply and drain connections.

WARRANTY

1. TOTO® warrants its vitreous china products ("Product") to be free from defects in materials and workmanship during normal use when properly installed and serviced, for a period of one (1) year from date of purchase. This limited warranty is extended only to the ORIGINAL PURCHASER of the Product and is not transferable to any third party, including but not limited to any subsequent purchaser or owner of the Product. This warranty applies only to TOTO Product purchased and installed in North, Central and South America.
2. TOTO's obligations under this warranty are limited to repair, replacement or other appropriate adjustment, at TOTO's option, of the Product or parts found to be defective in normal use, provided that such Product was properly installed, used and serviced in accordance with instructions. TOTO reserves the right to make such inspections as may be necessary in order to determine the cause of the defect. TOTO will not charge for labor or parts in connection with warranty repairs or replacements. TOTO is not responsible for the cost of removal, return and/or reinstallation of the Product.
3. This warranty does not apply to the following items:
 - a. Damage or loss sustained in a natural calamity such as fire, earthquake, flood, thunder, electrical storm, etc.
 - b. Damage or loss resulting from any accident, unreasonable use, misuse, abuse, negligence, or improper care, cleaning, or maintenance of the Product.
 - c. Damage or loss resulting from sediments or foreign matter contained in a water system.
 - d. Damage or loss resulting from improper installation or from installation of the Product in a harsh and/or hazardous environment, or improper removal, repair or modification of the Product. (NOTE: Product model codes allow a maximum of 80 PSI. Check local codes or standards for requirements).
 - e. Damage or loss resulting from electrical surges or lightning strikes or other acts which are not the fault of TOTO or which the Product is not specified to tolerate.
 - f. Damage or loss resulting from normal and customary wear and tear, such as gloss reduction, scratching or fading over time due to use, cleaning practices or water or atmospheric conditions.
 - g. Tank flushing mechanisms of plastic or rubber moving parts.
 - h. Toilet seats of plastic, wood or metal.
4. In order for this limited warranty to be valid, proof of purchase is required. TOTO encourages warranty registration upon purchase to create a record of Product ownership at <http://www.totousa.com>. Product registration is completely voluntary and failure to register will not diminish your limited warranty rights.
5. THIS WARRANTY GIVES YOU SPECIFIC LEGAL RIGHTS. YOU MAY HAVE OTHER RIGHTS WHICH VARY FROM STATE TO STATE, PROVINCE TO PROVINCE OR COUNTRY TO COUNTRY.
6. To obtain warranty repair service under this warranty, you must take the Product or deliver it prepaid to a TOTO service facility together with proof of purchase (original sales receipt) and a letter stating the problem, or contact a TOTO distributor or products service contractor, or write directly to TOTO U.S.A., INC., 1155 Southern Road, Morrow, GA 30260 (678) 466-1300 or (888) 295-8134, if outside the U.S.A. If, because of the size of the Product or nature of the defect, the Product cannot be returned to TOTO, receipt by TOTO of written notice of the defect together with proof of purchase (original sales receipt) shall constitute delivery. In such case, TOTO may choose to repair the Product at the purchaser's location or pay to transport the Product to a service facility.

WARNING! TOTO shall not be responsible or liable for any failure of, or damage to, this Product caused by either chloramines in the treatment of public water supply or cleaners containing chlorine (calcium hypochlorite). NOTE: The use of a high concentrate chlorine or chlorine related products can seriously damage the fittings. This damage can cause leakage and serious property damage.

THIS WRITTEN WARRANTY IS THE ONLY WARRANTY MADE BY TOTO. REPAIR, REPLACEMENT OR OTHER APPROPRIATE ADJUSTMENT AS PROVIDED UNDER THIS WARRANTY SHALL BE THE EXCLUSIVE REMEDY AVAILABLE TO THE ORIGINAL PURCHASER. TOTO SHALL NOT BE RESPONSIBLE FOR LOSS OF THE PRODUCT OR FOR OTHER INCIDENTAL, SPECIAL OR CONSEQUENTIAL DAMAGES OR EXPENSES INCURRED BY THE ORIGINAL PURCHASER, OR FOR LABOR OR OTHER COSTS DUE TO INSTALLATION OR REMOVAL, OR COSTS OF REPAIRS BY OTHERS, OR FOR ANY OTHER EXPENSE NOT SPECIFICALLY STATED ABOVE. IN NO EVENT WILL TOTO'S RESPONSIBILITY EXCEED THE PURCHASE PRICE OF THE PRODUCT. EXCEPT TO THE EXTENT PROHIBITED BY APPLICABLE LAW, ANY IMPLIED WARRANTIES, INCLUDING THAT OF MERCHANTABILITY OR FITNESS FOR USE OR FOR A PARTICULAR PURPOSE, ARE EXPRESSLY DISCLAIMED. SOME STATES DO NOT ALLOW LIMITATIONS ON HOW LONG AN IMPLIED WARRANTY LASTS, OR THE EXCLUSION OR LIMITATION OF INCIDENTAL OR CONSEQUENTIAL DAMAGES, SO THE ABOVE LIMITATION AND EXCLUSION MAY NOT APPLY TO YOU.

TOTO®

TOTO® U.S.A., Inc. 1155 Southern Road,
Morrow, Georgia 30260
Tel: 888-295-8134 Fax: 800-699-4889
www.totousa.com

0GU043-3
Rev Date: 5/16



Warranty Registration and Inquiry

For product warranty registration, TOTO U.S.A. Inc. recommends online warranty registration. Please visit our web site <http://www.totousa.com>. If you have questions regarding warranty policy or coverage, please contact TOTO U.S.A. Inc., Customer Service Department, 1155 Southern Road, Morrow, GA 30260 (888) 295-8134 or (678) 466-1300 when calling from outside of U.S.A.



Specification Information

Product Code: 966

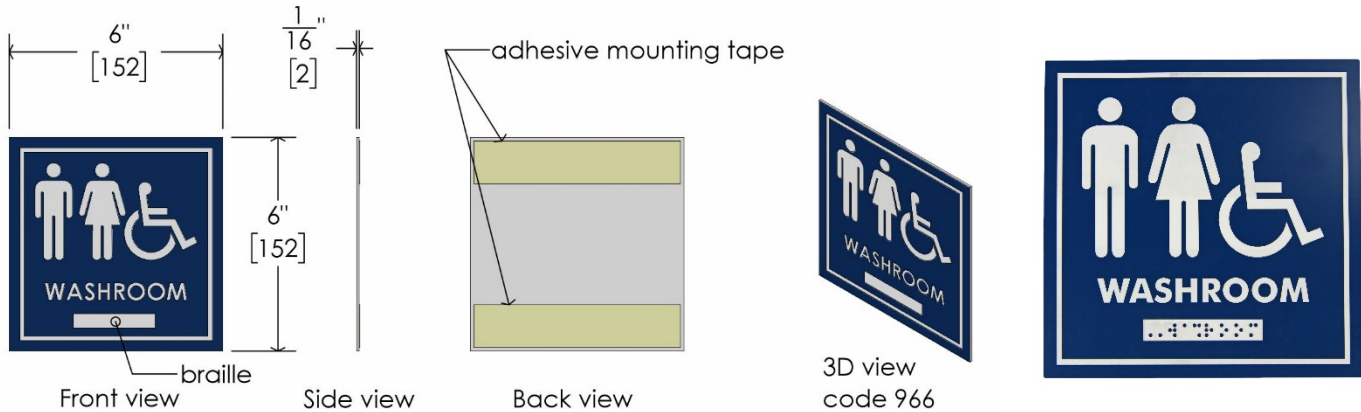
Product Name: Washroom Signage – Gender Neutral/Wheelchair with Braille Emboss

Individual Carton UPC: 624622966003

Individual Carton Shipping Dimensions: 15.2cm W x 15.2cm H x 0.6cm D (6" W x 6" H x ¼" D)

Individual Carton Shipping Weight: 0.22kg (0.5 lbs)

Site Location: Frost washroom signage are made of durable engraved plastic and easily adhere to surfaces. These signs also include Braille in English to help vision impaired users. Typically, these units are used in schools/universities, restaurants, airports, malls, office buildings, condominiums, fitness facilities, and recreation centres.



Features:

- Self adhesive back
- Easy to install
- Durable engraved plastic
- English Braille included

Materials:

- Durable engraved plastic signage with raised Braille embossing
- Attractive blue and white colour scheme

Product Dimensions:

- 15.2cm W x 15.2cm H x 0.6cm D (6" W x 6" H x ¼" D)

Product Weight:

- 0.22kg (0.5 lbs)

Installation Guidelines: Product comes with self adhesive backing. Wipe clean the desired location with a cloth and warm water. Mark location with level to ensure straightness. Remove adhesive back covering and place firmly in position. Hold for 30 seconds to allow back to adhere.

Maintenance: Normal preventative maintenance and cleaning will keep Frost products functioning properly and may extend normal product life. Products should be wiped down with a damp soft cloth periodically. Do not use harsh detergents or chemical cleaners.



Specification Information

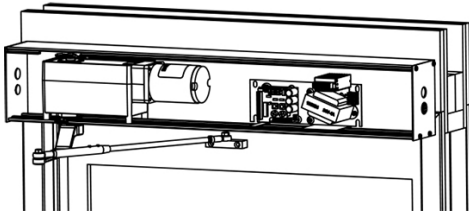
Warranty: If any product or part proves to be defective within 12 months from date of shipment from the factory it will be repaired or replaced without any charge including freight costs when authorized. Costs resulting from the installation or removal of defective products are not covered under this warranty. Discolouration to stainless steel parts resulting from exposure to harsh environmental and / or chemicals are not considered to be defects in workmanship or material and are not covered under warranty.

Ditec HA8-SP Easy Selection Guide

PUSH APPLICATIONS

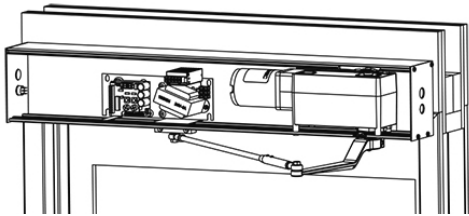
1

LPS - Left Hand Push



2

RPS - Right Hand Push

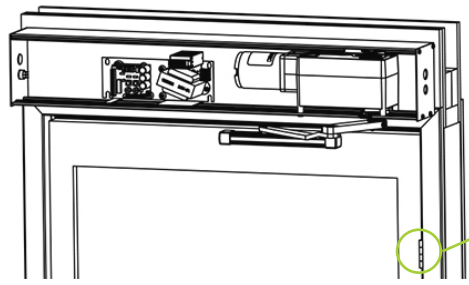


Handing	Finish	Header	Part #
LPS	Clear	39"	W9-101-39
		41"	W9-101-41
		45"	W9-101-45
	Bronze	39"	W9-105-39
		41"	W9-105-41
		45"	W9-105-45
RPS	Clear	39"	W9-103-39
		41"	W9-103-41
		45"	W9-103-45
	Bronze	39"	W9-107-39
		41"	W9-107-41
		45"	W9-107-45
DUAL	Clear	75"	W9-111
	Bronze	75"	W9-112

PULL APPLICATIONS

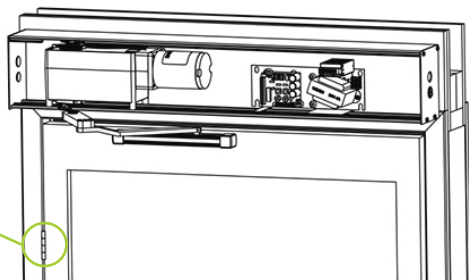
3

LPL - Left Hand Pull



4

RPL - Right Hand Pull



Handing	Finish	Header	Part #
LPL	Clear	39"	W9-102-39
		41"	W9-102-41
		45"	W9-102-45
	Bronze	39"	W9-106-39
		41"	W9-106-41
		45"	W9-106-45
RPL	Clear	39"	W9-104-39
		41"	W9-104-41
		45"	W9-104-45
	Bronze	39"	W9-108-39
		41"	W9-108-41
		45"	W9-108-45
Dual	Clear	75"	W9-113
	Bronze	75"	W9-114

Note: This list represents standard stock configurations. For special sizes or options, please use the code from the "How to Order" sheet or contact Customer Service at 877.348.6837 or Info.Ditec.CA@entrematic.com.



fire rated



UL 325



low energy



push pull



24 VDC



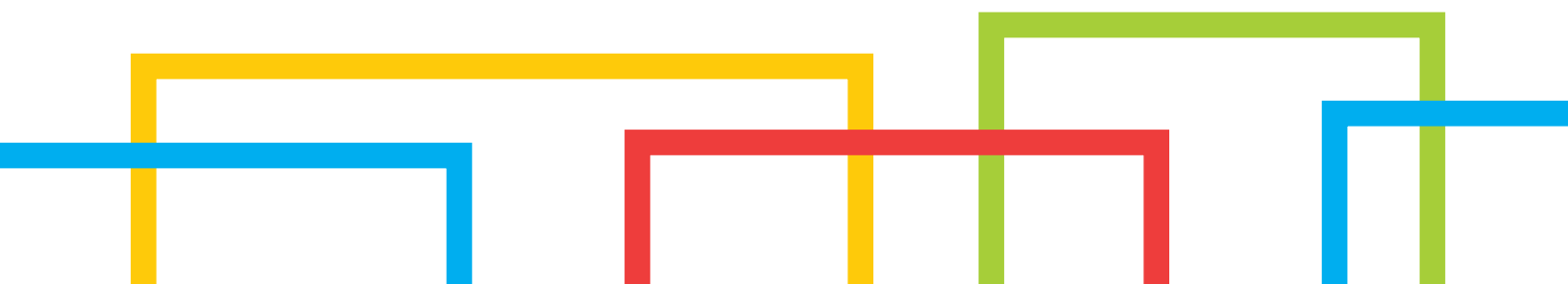
ADA

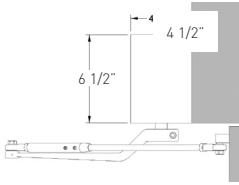
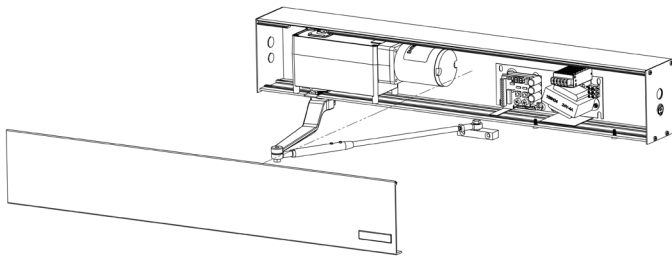
Ditec HA8-SP

Standard Profile - Low Energy Operator

INSTALLED IN:

Hospitals - Retail Stores - Schools & Universities - Airports
Convention Centers - Casinos - Industrial Buildings - Offices





HA8-SP Profile

QUALITY HEAVY DUTY COMMERCIAL CONSTRUCTION

High precision gears made for sustained long-term use
 Electro Mechanical Design – for simple dependable operation
 Permanent lubrication – maintenance free
 Cast Alloy Gear Box
 1/8th HP motor
 Digital Control Board

ADVANCED TECHNOLOGY

On-board programming
 Built in strike/mag lock relay – fail safe or fail secure
 Separate inputs for activation and safety devices
 Plug-n-Play design for fast trouble free installation
 Compatible with most safety and activation devices
 Integrates with building access & security systems
 Adjustable spring tension overcomes high wind and stack pressures
 One-way clutch – allows for easy manual door operation

POWERFUL AND QUIET, YET FORGIVING

XP Spring available for extra closing force
 Concealed Adjustable Door Stop – eliminates external door stops
 Ultra Quiet operation – noise free in both automatic and manual modes

DURABLE

Built to outlast the competition
 Perfect for high traffic locations

VERSATILE INSTALLATION COMBINATIONS

Concealed (Hinge Hung, Offset Pivoted or Center Pivoted)
 Surface Mounted Push or Pull
 Dual or Double Egress
 Side or Bottom Loading
 Header length can be modified in the field

STANDARD PROFILE OPERATOR

Drive Train Gear Box	Cast Aluminum-Closed Gearbox
Single and Dual Digital Control Box	Single HA-8 w/Data, 24 VDC, 3 AMP
Operating Voltage (Standard)	115VAC
Magnetic Limit Switches	Yes
Gear Grease	High Wear Protection
Motor	1/8th HP
Opening/Closing Force	Adjustable 5 to 30 lbs.
Arm Connection	1" Solid Spline Spindle
Adjustable Stop	Yes
Operator Switch	On-Off-Hold Open
Adjustable Spring Tension	Yes
Mechanical Clutch	Standard
Header Finish (Standard)	Clear, Dark Bronze, Extruded Aluminum
Header Finish (Optional)	Paint, Special Anodized Colors, Clad
Push or Pull Application	Yes
Easy Manual Operation	Yes
XP Spring	Optional
Surface Mounting	Yes
Concealed Mounting	Center Pivot, Hinge, or Offset Pivots
Bottom Loading	Optional
Push Reveal	0" to 14"
Pull Reveal	0" to 4"
Special Push & Pull Reveals	Call Manufacturer
Push And Go	Optional
Electric Strike Output Power	24 VDC
Fire Door Compatibility	UL10C Approved
Circuit Protection	3 amp Fuse
Total Weight w/ 39" Header	45 lbs.
Meets ANSI 156.19	Yes

Technical data subject to change without notice.

**Entrematic USA Inc.**

1900 Airport Rd., Monroe, NC 28110
 Tel: 704-290-0980
 Fax: 704-919-5014
 Toll Free: 866-901-4284
 www.ditecentrematic.us

**Entrematic Canada Inc.**

221A Racco Pkwy, Vaughan, ON L4J 8X9
 Tel: 416-674-8880
 Fax: 416-674-8882
 Toll Free: 877-348-6837
 www.ditecentrematic.ca



Member
AAADM American Association of
 Automatic Door Manufacturers



Entrematic, Amarr, Kelley, Serco, Normstahl, Dynaco, Ditec and EM, as words and logotypes, are examples of trademarks owned by Entrematic Group AB or companies within the Entrematic Group

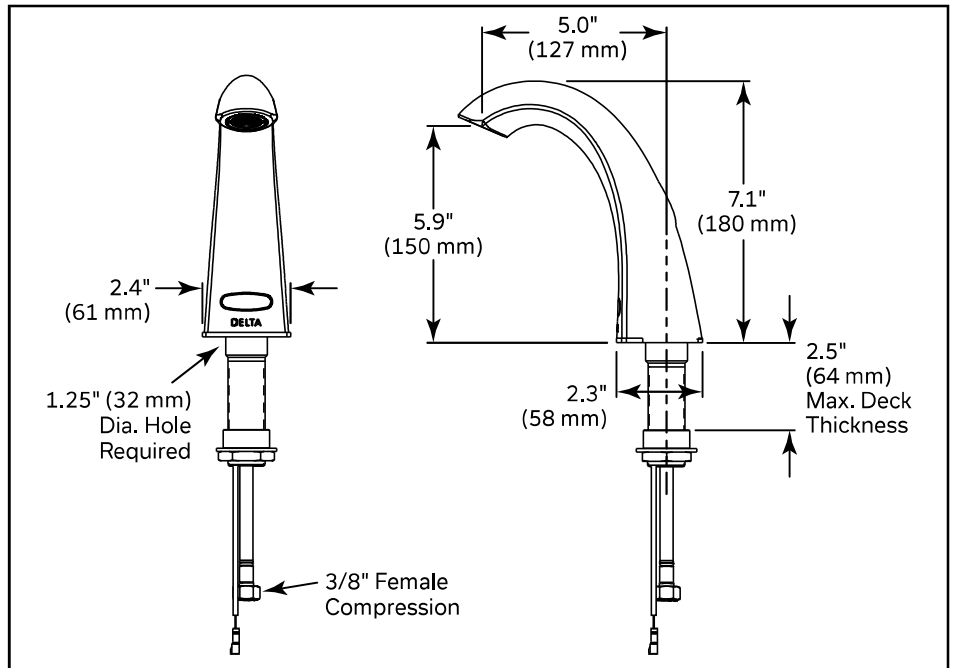
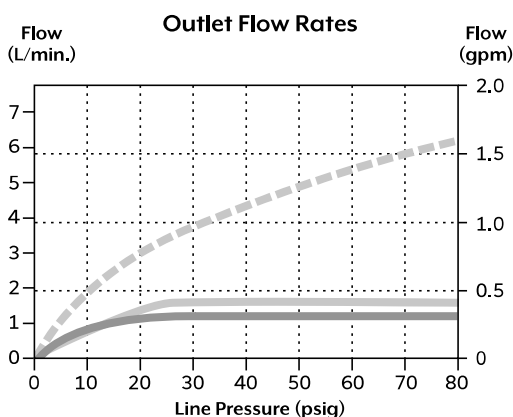
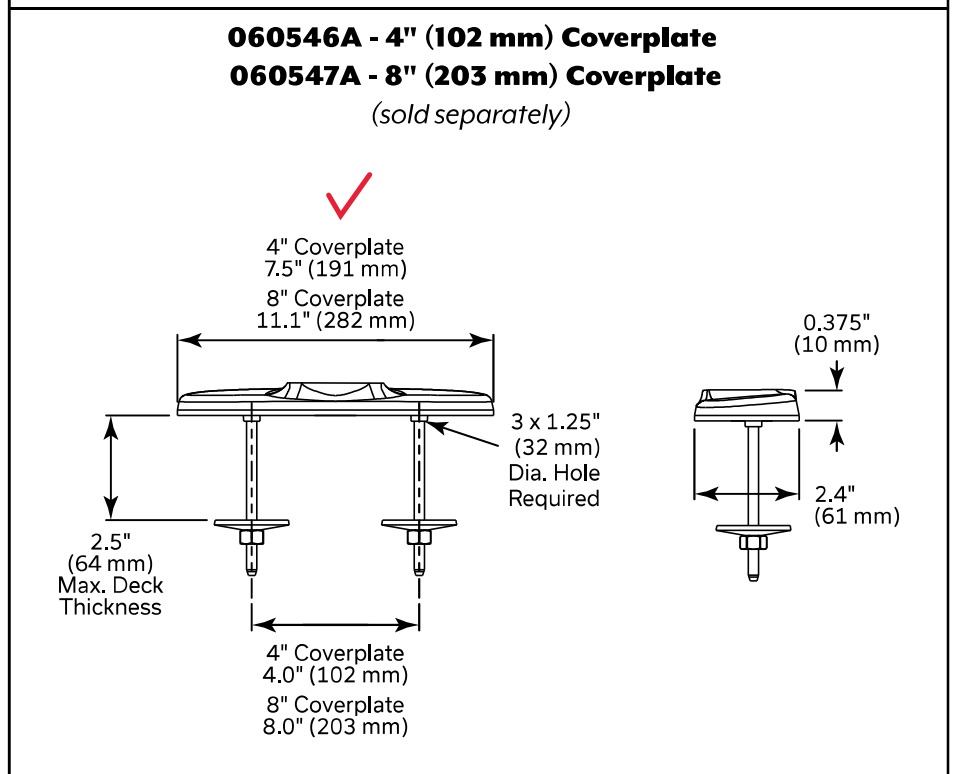
Distributed By:

TECK®**590TF Series****Electronic Faucet with Surface Mount Control****COMMERCIAL****APPROVALS:**

- Complies to ASME A112.18.1/CSA B125.1
- Indicates compliance to ICC / ANSI A117.1
- Outlet options 2 is EPA WaterSense® listed
- Verified compliant with 0.25% weighted average Pb content regulations

AVAILABLE OPTIONS FOR FIELD CONVERSION (Sold Separately)

- 060546A - 4" (102 mm) Coverplate**
Includes anti-rotation pin for secure public lavatory installation.
- 060547A - 8" (203 mm) Coverplate**
Includes anti-rotation pin for secure public lavatory installation.
- 063268A - Battery backup assembly for surface mount box** (Batteries included)
See DSP-BBBox for detailed specification.
- 063266A - Plug-in power supply**
- 061406A - Plug-In with Battery Backup**
- 060704A - 120 to 24 VAC - Class 2 - 20 VA**
(Up to 5 Electronic Valves)
- 060771A - 120 to 24 VAC - Class 2 - 40 VA**
(Up to 10 Electronic Valves)
- 061256A - 36" (914 mm) Sensor Cable Extension**
- 063272A - Ganging cable**
- 062032A - Polymer Braided Hose**
- 060651A - 3 Position Switch**
See DSP-ELACC for detailed specification.

**060546A - 4" (102 mm) Coverplate****060547A - 8" (203 mm) Coverplate***(sold separately)***Spout Outlets**

- No. 2 Laminar Outlet
- No. 5 Laminar Outlet
- No. 9 Spray Outlet

NOTICE Measurements may vary $\pm 0.25"$ (6mm)

Watersense® is a registered trademark of the U.S. Environmental Protection Agency

Delta Faucet reserves the right (1) to make changes in specifications and materials, and (2) to change or discontinue models, both without notice or obligation. Dimensions are for reference only. See current full-line price book or www.specselect.com for finish options and product availability.

Flow Rates are at 60 PSI.

NOTICE Use all pages as product submittal sheets.**DSP-590TF CBO, Rev A**

CONSTRUCT Series

MONOCOTTURA

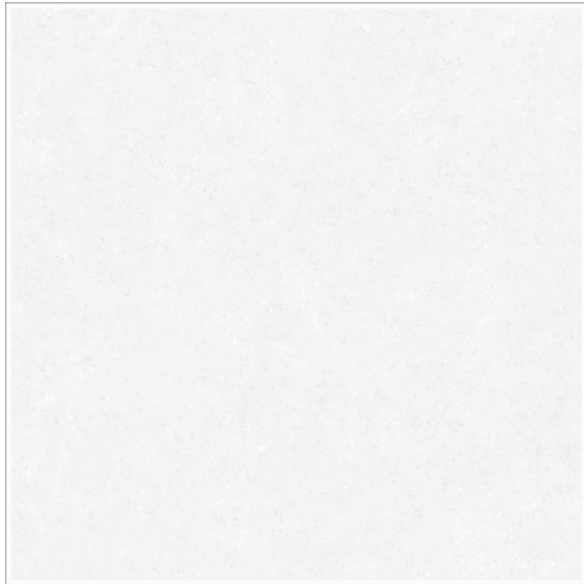
GLAZED WALL

October 17, 2023

olympiatile+stone[®]

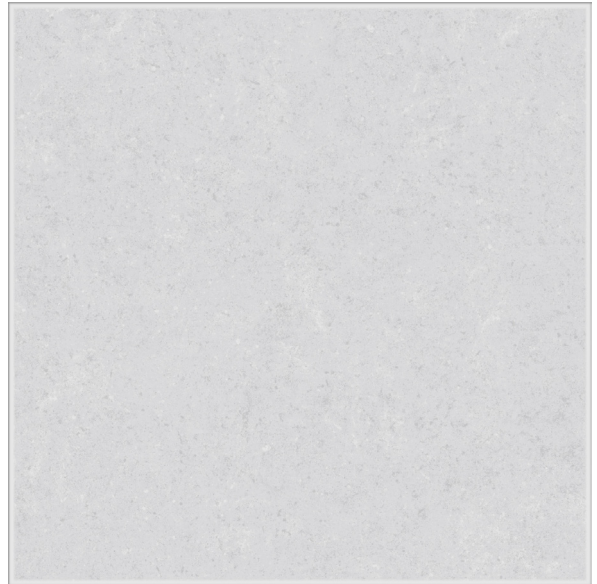
CONSTRUCT SERIES

Glazed Monocottura 12" x 12" Matte



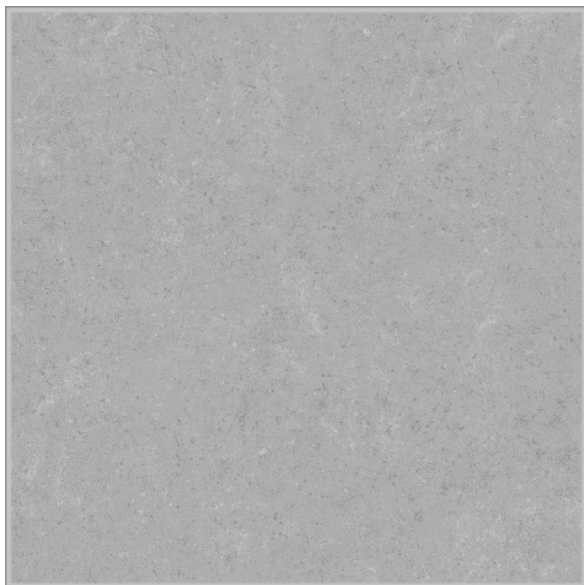
WHITE

30 x 30 cm (11.81" x 11.81")
TH.CT.WHT.1212.MT



LIGHT GREY

30 x 30 cm (11.81" x 11.81")
TH.CT.LGR.1212.MT.N



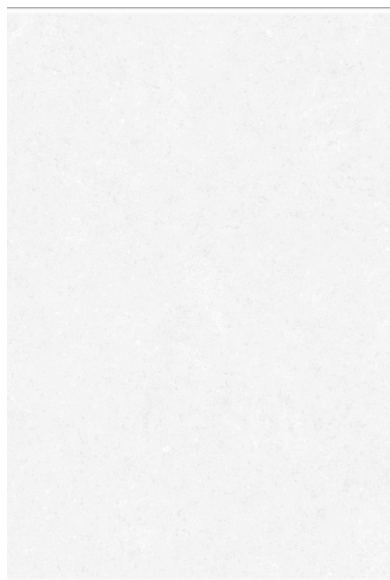
DARK GREY

30 x 30 cm (11.81" x 11.81")
TH.CT.DGR.1212.MT.N

All items shown in this document are part of Olympia's stocking program. For special orders, please contact your Olympia Tile Sales Representative.

CONSTRUCT SERIES

Glazed Wall 8" x 12" Glossy



WHITE

20 x 30 cm (7.87" x 11.81")
TH.CT.WHT.0812.GL



LIGHT GREY

20 x 30 cm (7.87" x 11.81")
TH.CT.LGR.0812.GL



DARK GREY

20 x 30 cm (7.87" x 11.81")
TH.CT.DGR.0812.GL

All items shown in this document are part of Olympia's stocking program. For special orders, please contact your Olympia Tile Sales Representative.



CONSTRUCT SERIES

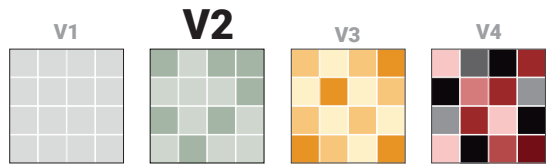
Glazed Monocottura

Tests Performed -- Results Conform

Test	Standard Used	Min. Requirements < 7.5 mm thickness	Results
Water Absorption	ISO 10545-3	3.0% < Eb ≤ 6%	Conforms
Bending / Breaking Strength	ISO 10545-4	> 600N	Conforms
Chemical Resistance	ISO 10545-13	min. UB	Conforms
Stain Resistance	ISO 10545-14	≥ Class 3	Conforms

Technical data is supplied by the manufacturer and is subject to change at any time. Olympia does not provide warranties as to the specifications of any product.

Colour Variation



Member



Member of Canada Green Building Council



Member of U.S. Green Building Council



Ceramic Tile Distributors of America (CTDA)



Marble Institute of America

For information concerning LEED, please contact our Sales Representative

Examples of Recommended Applications

Residential



Commercial



Indoor



Wall



Residential Floor only



Packing Details

TILE SIZE	PC/BOX	SF/BOX	LB/BOX	BOX/PAL
12" x 12" Matte	11	10.76	31.24	108
8" x 12" Glossy	16	10.32	26.24	96

PRODUCT	WALL APPLICATION		MONOCOTTURA FLOOR	
	Interior	Exterior	Interior	Exterior
TILE BOND COAT	200 Ceramic Adhesive 66 FlexLite Mortar	n/a	50 PM Mortar 52 Versatile Mortar	n/a
GROUT	500 PM Unsanded Grout 1600 UPG	n/a	600 PM Sanded Grout 1600 UPG	n/a
CAULKING	UP Caulk - Unsanded	n/a	UP Caulk - Sanded	n/a

SURFACE PREPARATION (If Required)

- Floor levelling: 59 Flex Flo / 5900 Flex Flo Plus Self Levelling Underlayment
- Waterproofing: WP900 Waterproof Membrane
- Crack Isolation/Uncoupling: Flexilastic 1000 Crack Isolation Membrane / FlexMat Uncoupling Membrane

* For a complete listing of FLEX TILE products and accessories including Sound Control, In-Floor Heating, and further setting options, please visit www.flextile.net



“MORE” Surface Care Product Guide

Task	Product Recommendation	Dilution with Water	Frequency
Grout Sealing	MORE™ Grout, Ceramic & Porcelain Sealer	Ready to use	Commercial: 1-3 Years Residential: 5-8 Years
Daily Maintenance	MORE™ Stone and Tile Cleaner	1 : 128 Ratio	Daily
Deep Cleaning	MORE™ Alkaline Cleaner	1 : 4 Ratio	As Needed
Grout Haze- Cementitious	MORE™ Acidic Cleaner	1 : 4 Ratio	As Needed
Grout Haze - Epoxy / Urethane	MORE™ Coating Stripper*	Ready to use	As Needed

*Always test in an inconspicuous area to make sure the product is achieving the desired results and is not damaging the finish of the surface.





12" x 12" size in colours Dark Grey, Light Grey and White



8" x 12" size in colours Light Grey and White

CONSTRUCT SERIES: MEF-205 (Combined Monocottura Floor Tiles + Gl. Wall Tiles)



Colour may vary slightly from images shown. It is highly recommended to view physical samples of tile prior to purchase. Note that shade variations between tiles is characteristic and adds to the inherent beauty of the product. Please visit a showroom near you or request a sample from your Olympia Tile Sales Representative.

It is Olympia Tile's policy to stock all items for sale. Should you require additional sizes, finishes or colours, Olympia has a Special Order Department to help find exactly what you are looking for. Please contact your Olympia Tile Sales Representative for more details. Note that minimum order quantities and longer lead times apply to all special order items.

the olympiatile+stone® group

OLYMPIA TILE + STONE INTERNATIONAL INC.

CORPORATE OFFICE AND SHOWROOM TORONTO
1000 Lawrence Ave. West
Ontario M6A 1C6
T: 416 785 6666
Toll Free: 1 800 268 1613
F: 416 785 9682

VAUGHAN
100A Royal Group Crescent
Ontario L4H 1X9
T: 905 266 0420
F: 905 266 0423

VANCOUVER
2350 Willingdon Ave.
Burnaby
British Columbia V5C 5J6
T: 604 294 2244
Toll Free: 1 800 663 9441
F: 604 294 0528

CALGARY
3308 - 11th Street S.E.
Alberta T2G 3G8
T: 403 287 1070
Toll Free: 1 800 322 8182
F: 403 243 1888

EDMONTON
11540 - 163rd Street
Alberta T5M 3T3
T: 780 452 5050
Toll Free: 1 800 619 4438
F: 780 451 4391

WINNIPEG
560 Sheppard Street
Manitoba R2X 2P8
T: 204 633 5736
Toll Free: 1 800 665 8017
F: 204 632 4644

WINDSOR
4145 7th Concession Rd
Ontario N9A 6J3
T: 519 966 2500
Toll Free: 1 877 410 5953
F: 519 969 2407

LONDON
234 Exeter Road
Ontario N6L 1A3
T: 519 652 5011
Toll Free: 1 800 265 4690
F: 519 652 5021

HAMILTON
75 Milburn Road
Ontario L8E 3A3
T: 905 560 5520
Toll Free: 1 800 263 1370
F: 905 578 3593

OTTAWA
2480 Don Reid Drive
Ontario K1H 1E1
T: 613 736 9570
Toll Free: 1 800 267 1864
F: 613 736 9563

MONTREAL
555 rue Locke
Ville St-Laurent,
Quebec H4T 1X7
T: 514 345 8666
Toll Free: 1 800 361 1954
F: 514 345 8825

QUEBEC
2405 rue Watt
Quebec G1P 3X2
T: 418 657 5557
Toll Free: 1 800 463 5516
F: 418 657 6708

HALIFAX
55 Akerley Boulevard
Dartmouth, Nova Scotia
B3B 1M3
T: 902 468 9260
Toll Free: 1 800 565 7790
F: 902 468 0011

SLAB DIVISION

TORONTO
22 Dufflaw Road
Toronto, Ontario M6A 2W1
T: 416 785 9555 ext 320
F: 416 781 4521

VAUGHAN
100A Royal Group Crescent
Vaughan, Ontario L4H 1X9
T: 905 266 0420
F: 905 266 0423

OLYMPIA TILE (USA), INC.

CORPORATE OFFICE AND SHOWROOM TORONTO
701 Berkshire Lane North
Minneapolis (Plymouth)
Minnesota 55441
T: 763 545 5455
F: 763 542 9830

FLORIDA ALPHA TILE & STONE
2443 East Meadow Blvd.
Tampa, Florida 33619
T: 813 620 9000
Toll Free: 1 800 785 9000
F: 813 621 0606

10898-A Metro Parkway
Fort Myers, Florida 33966
T: 239 275 8288
Toll Free: 1 800 785 8288
F: 239 275 0116

2603 Ace Road
Orlando, Florida 32804
T: 407 293 3993
Toll Free: 1 800 785 3993
F: 407 293 1779

1808 Whitfield Ave.
Sarasota, Florida 34243
T: 941 727 7433
Toll Free: 1 800 785 3484
F: 941 727 7381

IOWA KATE-LO TILE & STONE
4251 N.W. Urbandale Dr.
Des Moines (Urbandale)
Iowa 50322
T: 515 270 4920
Toll Free: 1 800 320 1387
F: 515 270 7035

NORTH DAKOTA KATE-LO TILE & STONE
Resource Centre
300 Northern Pacific Ave.
Suite 106
Fargo, North Dakota 58102
T: 701 478 8087
F: 701 478 8084

MICHIGAN BEAVER TILE & STONE
24700 Drake Rd.
Detroit West (Farmington Hills)
Michigan 48335
T: 248 476 2333
Toll Free: 1 800 825 0551
F: 248 476 4636

1700 Stutz Dr., Suite 101
Detroit North (Troy)
Michigan 48084
T: 248 649 5552
F: 248 649 0741

2780 Enterprise Ct.
Saginaw, Michigan 48603
T: 989 790 5851
Toll Free: 1 800 797 0897
F: 989 790 0311

13085 23 Mile Rd.
Detroit East (Shelby Township)
Michigan 48315
T: 586 991 0780
Toll Free: 1 800 889 5395
F: 586 991 0784

1694 Gezon Parkway
Grand Rapids, (Wyoming)
Michigan 49509
T: 616 534 2883
Toll Free: 1 800 797 0727
F: 616 534 4784

MINNESOTA KATE-LO TILE & STONE
701 Berkshire Lane North
Minneapolis (Plymouth)
Minnesota 55441
T: 763 545 5455
Toll Free: 1 800 288 3026
F: 763 542 9830

NEBRASKA KATE-LO TILE & STONE
13211 Chandler Road
Suite 400
Omaha (La Vista)
Nebraska 68138-3703
T: 402 614 9010
Toll Free: 1 877 687 6636
F: 402 614 0989

NEW JERSEY NEW JERSEY TILE & STONE
70 Newfield Avenue
Raritan Center,
Edison
New Jersey 08837
T: 732 512 1818
Toll Free: 1 800 513 8453
F: 732 512 1881

NEW YORK DOBKIN TILE & STONE
51 Benbro Drive
Buffalo (Cheektowaga)
New York 14225
T: 716 684 1200
Toll Free: 1 800 759 1414
F: 716 684 1294

48 Railroad Avenue
Albany (Colonie)
New York 12205
T: 518 489 6803
Toll Free: 1 800 678 5769
F: 518 489 6806

OREGON THOMPSON TILE & STONE
4472 NW Yeon Avenue
Portland
Oregon 97210
T: 503 225 1273
Toll Free: 1 800 827 4092
F: 503 222 0731

WISCONSIN LEXCO TILE & STONE
1616 S. 108th Street
Milwaukee
Wisconsin 53214
T: 414 771 2900
Toll Free: 1 800-242-2249
F: 414 771 9153

WASHINGTON THOMPSON TILE & STONE
3900 East Alki
Spokane
Washington 99208
T: 509 535 2925
Toll Free: 1 800 827 2555
F: 509 534 5218

711 S. Fidalgo Street
Seattle
Washington 98108
T: 206 900 7331
Toll Free: 1 800 827 4093
F: 206 294 5933

575 Strander Blvd.
Tukwila
Washington 98188
T: 206 575 7976
F: 206 575 7484

FLEXITILE LTD.
MANUFACTURING PLANTS
www.flexitile.net

TORONTO
121 30th Street | Toronto | Ontario | M8W 3C1
T: 416 255-1111 | Toll Free: 1 800 699 3623 | F: 416 255-1729

VANCOUVER
2969 Lake City Way | Burnaby | British Columbia | V5A 2Z6
T: 604 420-4914 | Toll Free: 1 888 236 4486 | F: 604 420-0936

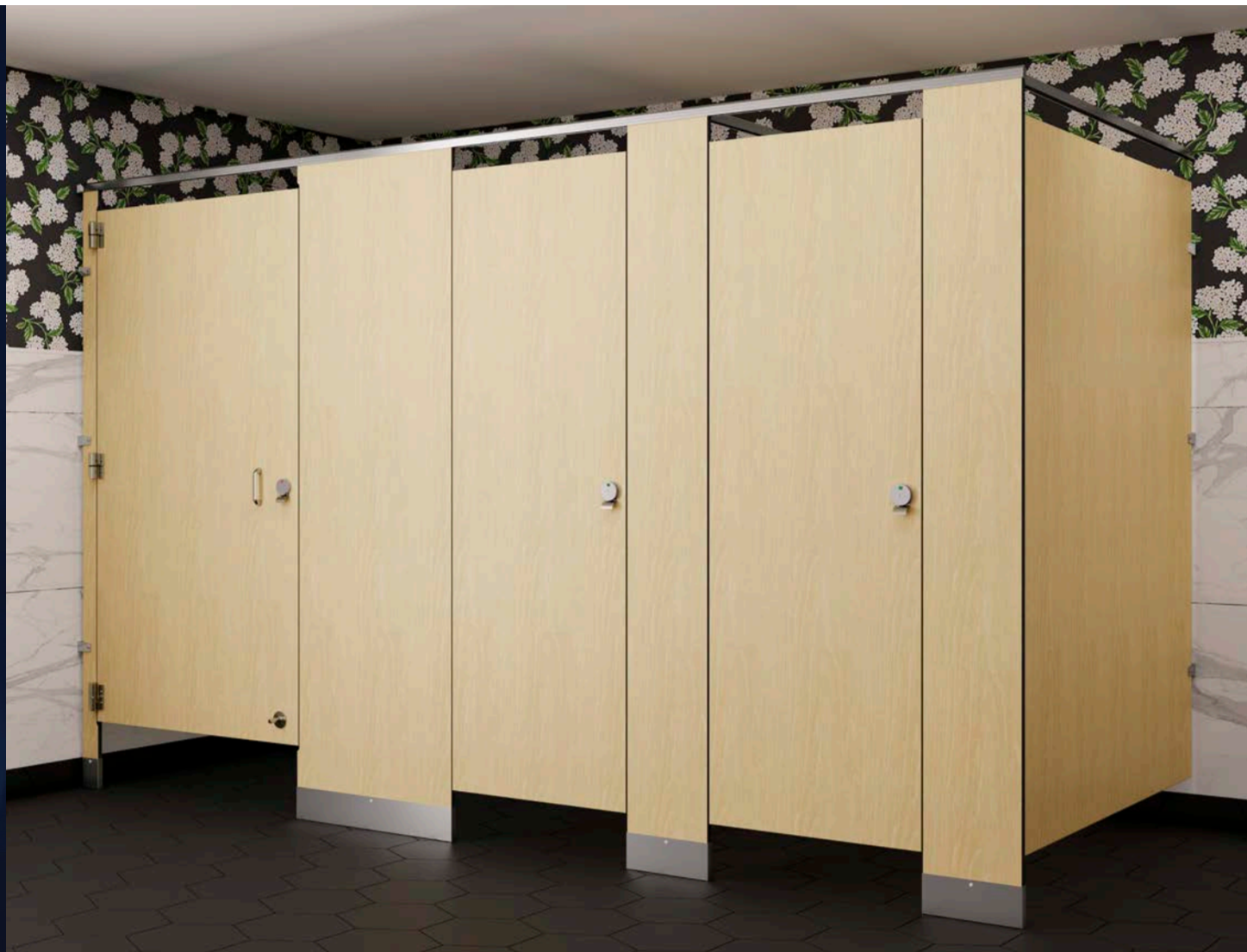
All sales and transactions are subject to our terms and conditions of sale, available on our website.

olympiatile+stone®



BRADLEY PARTITIONS

Add style, privacy and durability to any commercial restroom



Phenolic **NEW DESIGN!**

Stainless Steel

Bradmar™ Solid Plastic

Commercial Washrooms. Brought to Life.



A **WATTS** Brand

Bradley Partitions

Offering a wide selection of the most innovative product materials available, Bradley partitions are suited for a variety of applications and environments. The quality materials used provide key features for architects and specifiers, such as aesthetic appeal, vandal resistance, low cost and competitive warranties. From high-performance material options to creative style solutions, Bradley partitions provide architects smart, economical choices.

Materials

Bradley has a large green product offering of restroom partition materials and all are GREENGUARD Certified as low emitting materials. All materials also offer privacy options.



Stainless Steel

40% pre-consumer, 25% post-consumer recycled stainless steel, ideal for heavy traffic.



Bradmar™ Solid Plastic

Fabricated from an advanced formula of at least 30% pre-consumer recycled high-density polyethylene (HDPE).



Phenolic Core

20% pre-consumer recycled phenolic core, ideal for heavy traffic.





Mounting Styles

Bradley's wide variety of partition mounting styles meet the design needs of every application, from airports and sports entertainment complexes to restaurants, fitness centers and schools. Whether easy maintenance, economy, durability, added support, privacy, design aesthetic or "all of the above" is driving the decision, Bradley offers a style most suited to your building's restrooms.



Sentinel™ Floor-Mounted, Overhead Braced Series 400

This style provides the most economical solution for heavy traffic and vandalism-prone areas. Because it requires no special floor or ceiling construction, installation is easy in new construction or existing buildings. The anti-grip head rail provides outstanding rigidity. **NEW! Extra-height doors and panels available.**



Floor-Braced Series 500

Floor-braced partitions complement design with functional performance. Recommended for buildings with high ceilings, it enhances the effect of spaciousness. A minimum three inch concrete floor for anchoring is required. This style not available in Bradmar solid plastic.



Ceiling Hung Series 600

Ceiling hung partitions are ideal for areas with low ceilings. Offering an area free from obstruction to allow for fast and easy maintenance, the system requires structural supports in the ceiling for maximum rigidity. Not recommended for ceiling heights over eight feet. Not available in Bradmar solid plastic.



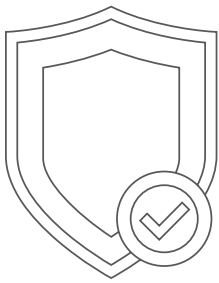
Floor-to-Ceiling Series 700

This style works well where additional support is required. Anchored at the floor and ceiling, this style offers the most stability. **NEW! Extra-height doors and panels available.**

Demand for greater privacy in public restrooms has been a long time coming.

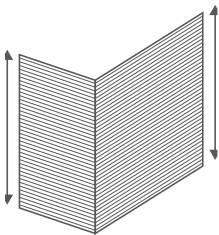
What is privacy? For many it brings to mind 'a retreat, seclusion, solitude'. While most might not associate those terms with public restrooms, there is no question that privacy is becoming more important to everyone who uses those spaces. Taking cues from European influence, Bradley privacy partitions give owners and architects the options to create a comfortable, durable restroom retreat for users.

Almost half of Americans are uncomfortable or bothered by the small gap between doors and pilasters.



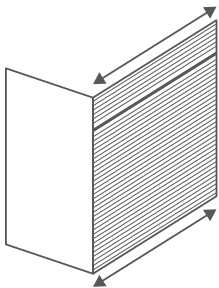
No-Site™ options

- Eliminates gaps between doors, pilasters and panels
- Integral No-Site design standard on phenolic partitions. Optional with Bradmar
- Full privacy height No-Site strips available for stainless steel
- Full privacy height and continuous hinges and brackets available for stainless steel and Bradmar



Extra-height doors and panels

- 72" (1829 mm) tall doors and panels mounted 6" (153 mm) AFF
- 69" (1753 mm) tall doors and panels mounted 9" (230 mm) AFF for ADA stalls
- Two mounting styles: floor-mounted overhead braced or floor-to-ceiling



Extra Depth panels

- Available in depths up to 84" (2134 mm)
- Available with extra-height stalls



69" (1753 mm)

72" (1829 mm)

9" (230 mm) AFF

6" (153 mm) AFF



Current ADA guidelines require the front partition and one side partition to provide toe clearance of at least 9" (230 mm) above the finished floor

Phenolic partitions with extra-height doors and panels



Phenolic partitions with integral No-Site and extra-height and depth panels



Pre-installed threaded inserts on doors and pilasters speed up hinge installation



Pre-drilled indicator latch holes



Rabbeted edge on hinge and latch side of the door provides flush finish and full privacy



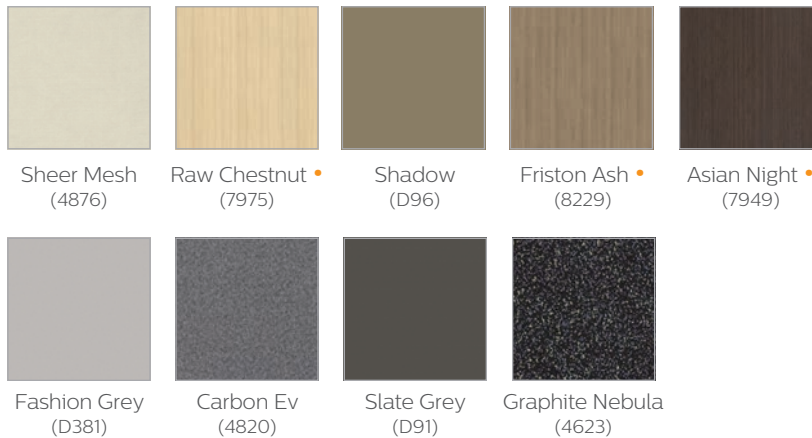
Phenolic Core Partitions NEW DESIGN!

Integral No-Site construction comes standard to eliminate gaps between doors and pilasters for maximum privacy. High heat and high-pressure molding of solid phenolic core material delivers impact resistance and superior strength. Available in a variety of new colors.

- Built-in No-Site design for high privacy
- Resists water, oil and bacteria, withstands wet and humid environments
- Impact and graffiti resistant: perfect for high traffic areas
- Extra-height doors and panels available for added privacy
- GREENGUARD Certified as a low emitting material



NEW! Phenolic Colors



- **Any directional wood grain panel taller or deeper than 58" will run perpendicular to the direction throughout the rest of the partition design. If a panel depth or height exceeds 58", please review for pattern conflicts.**

*Due to printing variances, the actual material color may differ.
Contact your local Bradley Representative for samples.*



Extra-height doors & panels are available for extra privacy

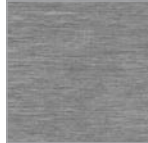
Stainless Steel Partitions

Bradley takes this popular look to the limit with seamless panels.

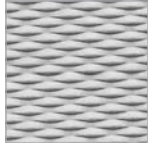
- Facing sheets of panels and doors integrally locked together
- Corners are welded smooth or adhered with a corner clip
- Finish wraps completely around the edges
- Extra-height doors and panels available for extra privacy
- GREENGUARD Gold Certified



Stainless Steel Textures



Satin



5WL Textured

The Permaseal™ Edge is available in Stainless Steel. The design locks facing metal sheets integrally together around the perimeter of the panel.

- Stronger than conventional crown molding construction
- 15-year warranty against rust-out — best in the industry
- No moisture penetration, no rust





Integral hinge system

Hidden within the door cavity, this design combines the strength of HDPE with a 1/2" (13mm) two-piece nylon cam-action pin and 3/16" (5mm) stainless steel pin for the ultimate in reliability.



No gaps between doors and pilasters



Optional indicator latch



Bradmar with integral No-Site and extra-height doors and panels

Bradmar Solid Plastic

Bradmar Partitions, Urinal and Sight Screens and Shower Dividers are fabricated from 30% pre-consumer recycled high density polyethylene (HDPE) with a variety of design options. Available with integral No-Site design to eliminate gaps between doors and pilasters to ensure privacy.

- Low maintenance and high vandal resistance
- Withstands wet and humid environments
- 15-year warranty — one of the industry's best
- Extra-height doors and panels available when additional privacy is needed
- Available in floor-mounted, overhead braced and floor-to-ceiling mounting styles
- Ideal for schools, theme parks, stadiums and arenas — any high-traffic restroom
- GREENGUARD Certified as a low emitting material



Standard Colors



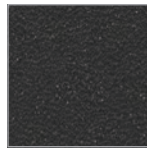
Desert Stone
(S406)



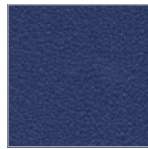
Canyon Granite
(M244)



Charcoal Gray
(S215)






Starry Night
(S225)



Deep Blue
(S203)

*Due to printing variances, the actual material color may differ.
Contact your local Bradley Representative for samples.*

Bradley Partitions Features

MATERIALS	PHENOLIC CORE	BRADMAR	STAINLESS STEEL
Mounting Style	400 Series 500 Series 600 Series 700 Series	400 Series 700 Series	400 Series 500 Series 600 Series 700 Series
Traffic	Heavy	Heavy	Heavy
Vandal Resistance	Highly durable Impact resistant Heavy-duty stainless steel hardware is standard	Graffiti easily wiped away with ordinary cleaners Dent-proof	Textured patterns resist scratches Buffing removes scratches from brushed finish
Environment	Dry Moderate Humid Wet	Dry Moderate Humid Wet	Dry Moderate
Aesthetics	9 standard colors Stainless steel brackets Edges: Solid black	5 standard colors Aluminum brackets Stainless steel shoes	Satin brushed & 5WL textured Texture or pattern wraps around edges Edges: Permaseal
 Door + Panel Height *	All stalls 72" (1829 mm) H, 6" (153 mm) AFF - OR - All stalls 69" (1753 mm) H, 9" (230 mm) AFF - OR - Combination 72" (1829 mm) H, 6" (153 mm) AFF stall with ADA 69" (1753 mm) H, 9" (230 mm) AFF stall	All stalls 72" (1829 mm) H, 6" (153 mm) AFF - OR - Combination 72" (1829 mm) H, 6" (153 mm) AFF stall with ADA 69" (1753 mm) H, 9" (230 mm) AFF stall	All stalls 72" (1829 mm) H, 6" (153 mm) AFF - OR - Combination 72" (1829 mm) H, 6" (153 mm) AFF stall with ADA 69" (1753 mm) H, 9" (230 mm) AFF stall
 Stacked Panel Design*	60" (1524 mm) to face	58" (1474 mm) to face	61" (1550 mm) to face
 Privacy Options	Standard	Integral No-Site design OR Continuous hinge Continuous bracket	No-Site strips Continuous hinge Continuous bracket
Applications	Outdoor facilities Parks Pools Shower rooms	Schools Parks Retail	Airports Stadiums Public rest stops
Warranty	3 years against delamination and discoloration	15 years against rust, delamination or breakage of any plastic components	15 years against rust-out 5 years: chrome plated Zamac hardware
----- Lifetime warranty on stainless steel hardware for all materials -----			

*Available in floor-mounted overhead braced and floor-to-ceiling mounting configurations.





A **WATTS** Brand

Commercial Washrooms. Brought to Life.

HANDWASHING & DRYING | ACCESSORIES | PARTITIONS | LOCKERS

bradleycorp.com

800.BRADLEY | 262.251.6000
W142 N9101 Fountain Boulevard
Menomonee Falls, WI USA 53051

3788-1-0724